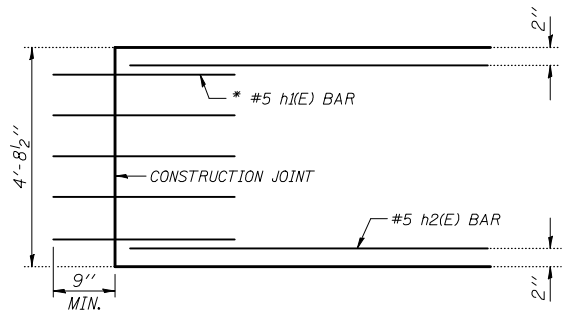
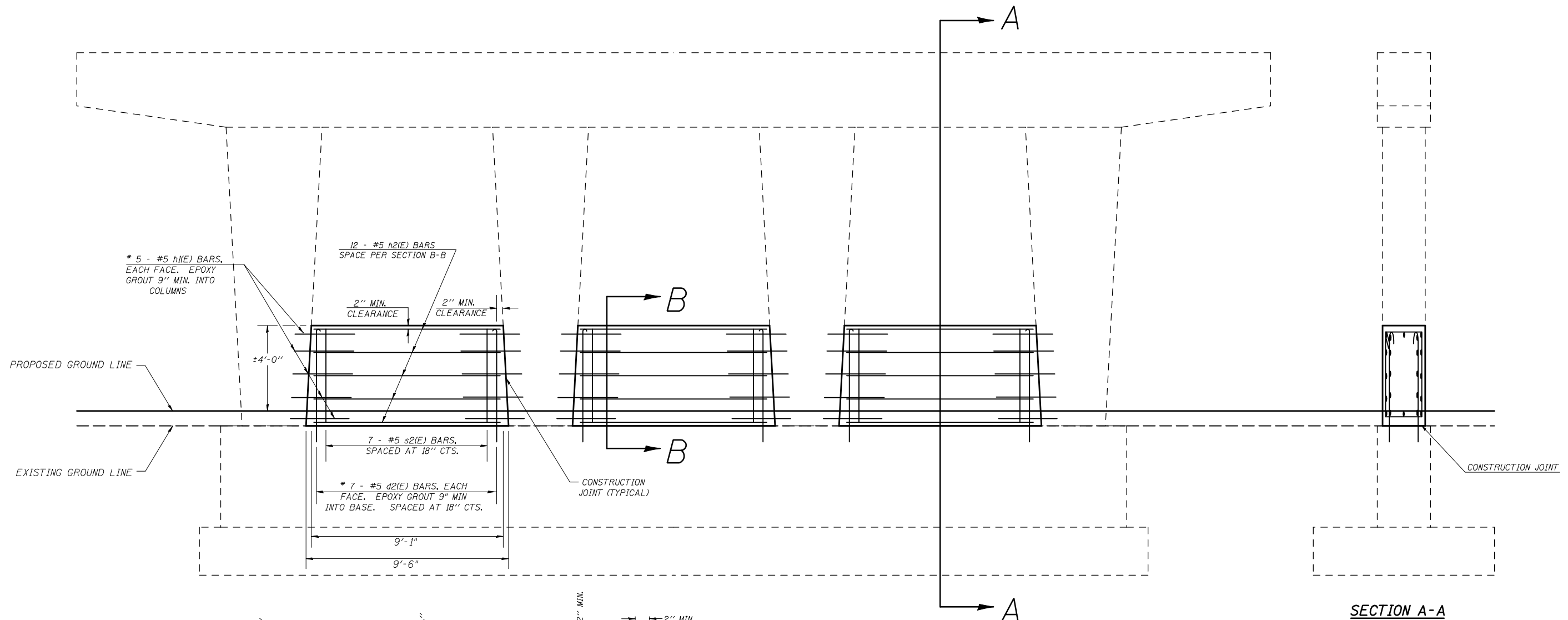
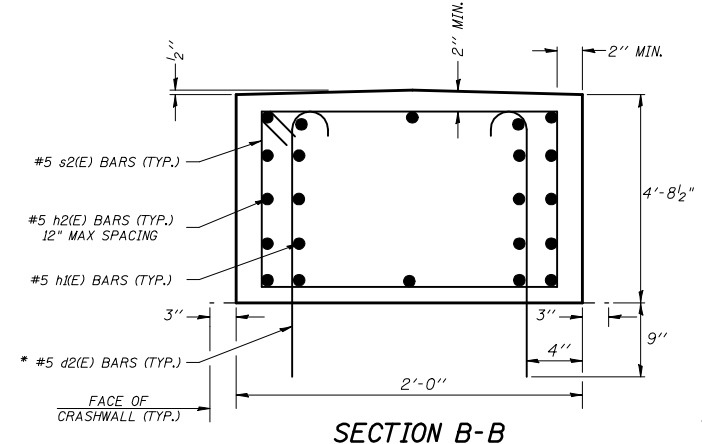


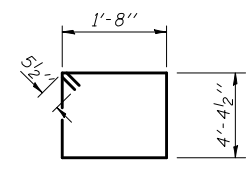
S.N. 057-0127 MEDIAN PIER (PIER #2) CRASHWALL EXTENSION



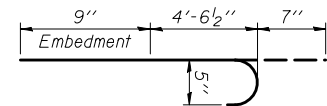
ELEVATION AT COLUMN



SECTION B-B



BAR s2(E)



BAR d2(E)

* EPOXY GROUT BARS IN 9" MIN. HOLES
ACCORDING TO ARTICLE 584 OF THE
STANDARD SPECIFICATIONS.

GENERAL NOTES

PLAN DIMENSIONS AND DETAILS RELATIVE TO EXISTING PLANS ARE SUBJECT TO ROUTINE VARIATIONS. THE CONTRACTOR SHALL FIELD VERIFY EXISTING DIMENSIONS AND DETAILS AFFECTING NEW CONSTRUCTION AND MAKE NECESSARY APPROVED ADJUSTMENTS PRIOR TO CONSTRUCTION OR ORDERING OF MATERIALS. SUCH VARIATIONS SHALL NOT BE CAUSE FOR ADDITIONAL COMPENSATION FOR A CHANGE IN SCOPE OF THE WORK, HOWEVER, THE CONTRACTOR WILL BE PAID FOR THE QUANTITY ACTUALLY FURNISHED BASED UPON THE UNIT PRICE BID FOR THE WORK.

THE COST OF EPOXY GROUTING BARS SHALL BE INCLUDED WITH REINFORCEMENT BARS (EPOXY COATED).

REINFORCEMENT BARS SHALL CONFORM TO THE REQUIREMENTS OF ASTM A706 OR GR 60. SEE SPECIAL PROVISIONS.

REINFORCEMENT BARS DESIGNATED (E) SHALL BE EPOXY COATED.

BILL OF MATERIALS				
BAR	SHAPE	NO.	SIZE	LENGTH
d2(E)		42	#5	5'-10 1/2"
h2(E)		36	#5	8'-9"
h1(E)		60	#5	2'-9"
s2(E)		21	#5	13'-0"
CONCRETE STRUCTURES	CU. YDS.	9.7		
REINFORCEMENT BARS, EPOXY COATED	LBS.	1043		

FILE NAME =	USER NAME = hoganbj	DESIGNED - BJH	REVISED - BJH 9/24/2010
ct:\pwork\pwork\hoganbj\d0158340\0570127\50-sht-details.dgn		DRAWN - BJH 9/2/2010	REVISED -
	PLOT SCALE = 40.0000' / IN.	CHECKED -	REVISED -
	PLOT DATE = 10/21/2010	DATE -	REVISED -

STATE OF ILLINOIS
DEPARTMENT OF TRANSPORTATION

S.N. 057-0127 MEDIAN PIER (PIER #2) CRASHWALL EXTENSION

SCALE: SHEET NO. 2 OF 3 SHEETS STA. TO STA.

F.A.I. RTE.	SECTION	COUNTY	TOTAL SHEETS	SHEET NO.
74	(57-20(1),21,22RS-3	McLean	150	88
CONTRACT NO. 70550			ILLINOIS FED. AID PROJECT	