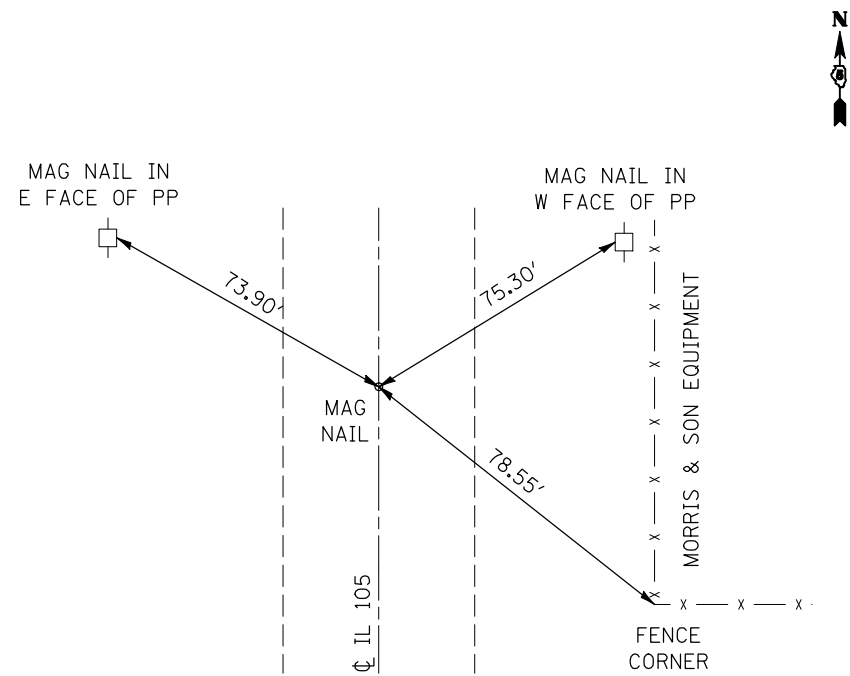
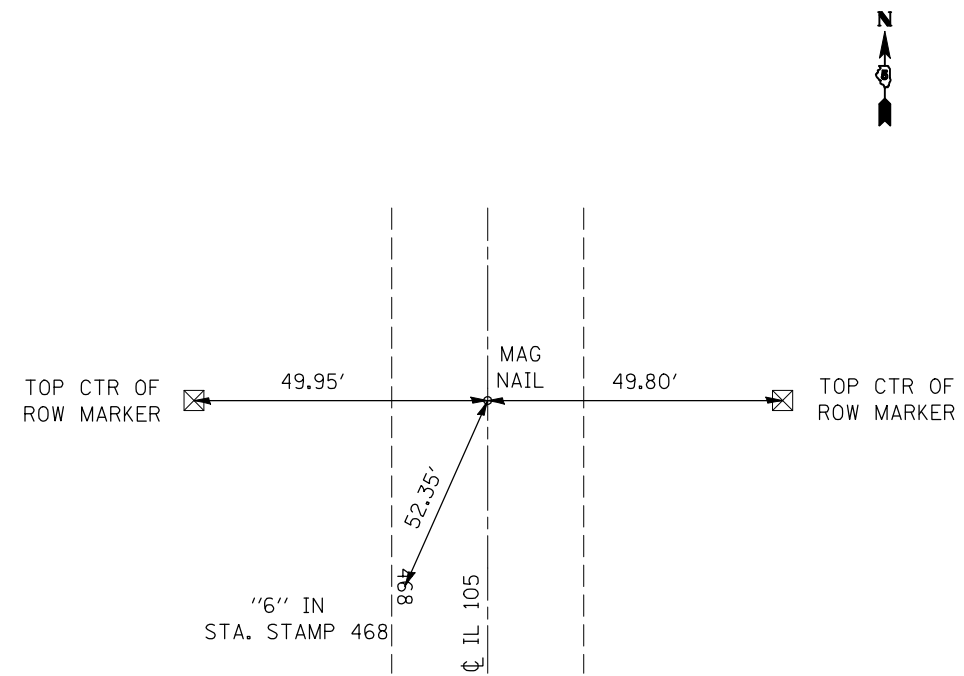


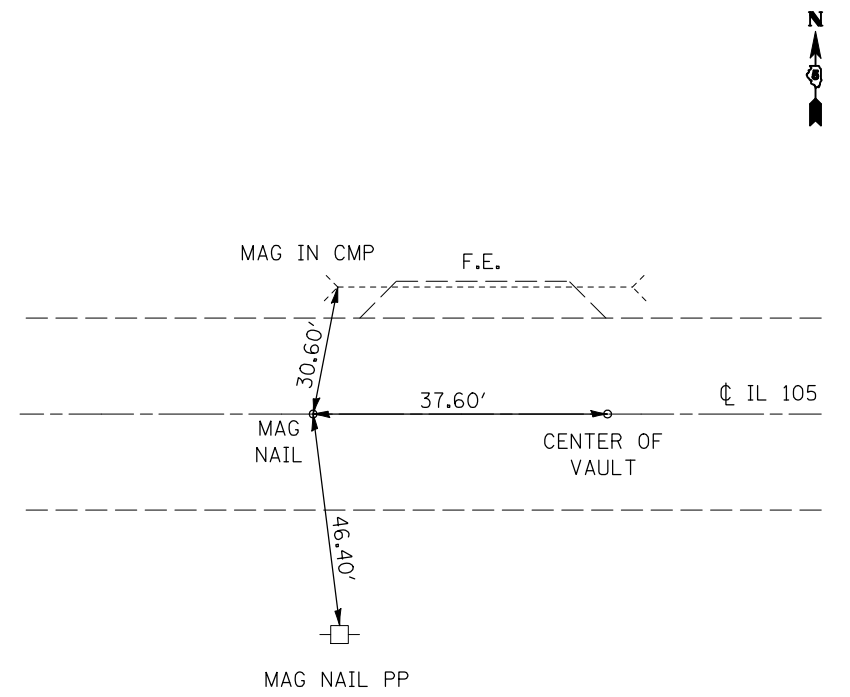
P.O.T. #1
STA. 443 + 78.38



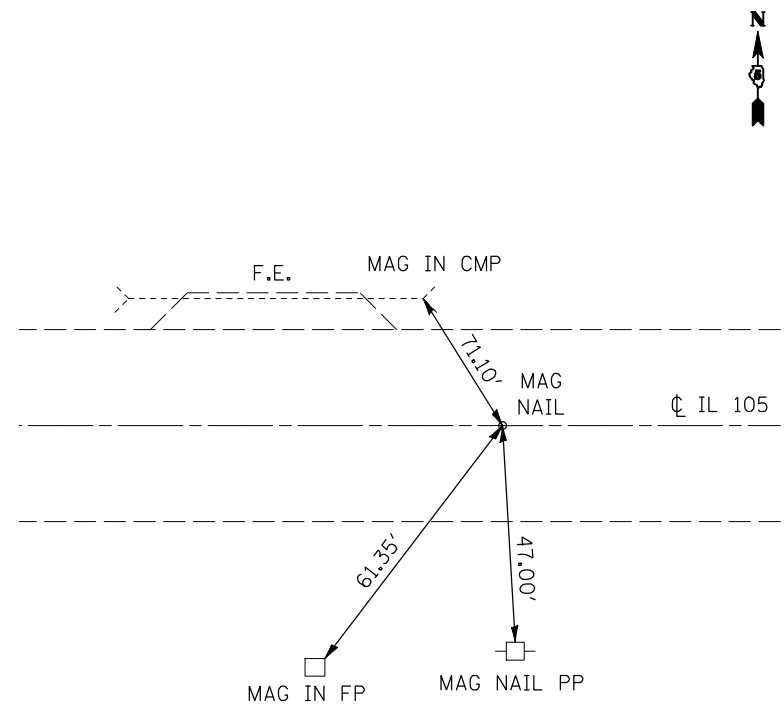
P.O.T. #3
STA. 457 + 44.29



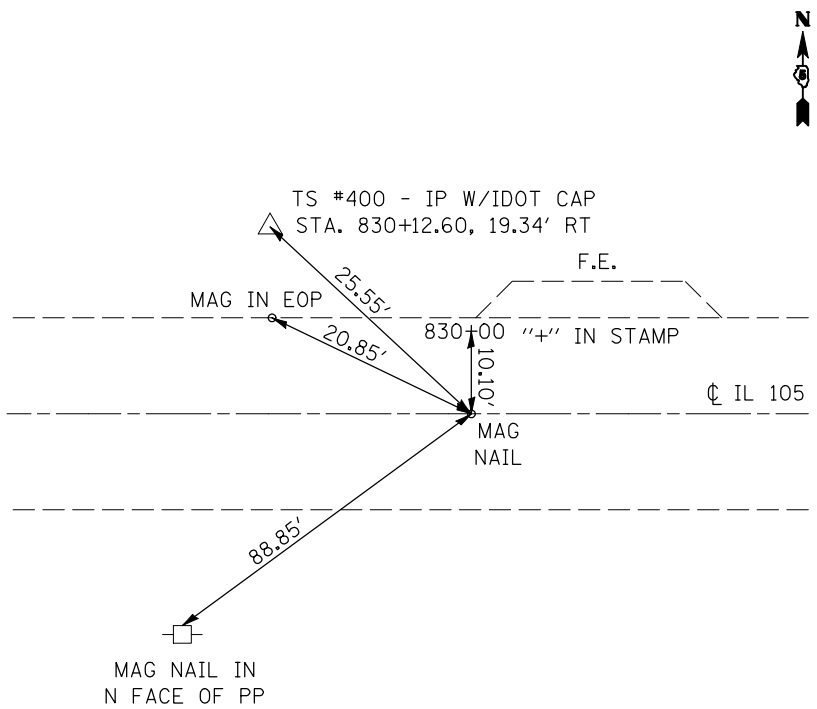
P.O.T. #4
STA. 620 + 49.06



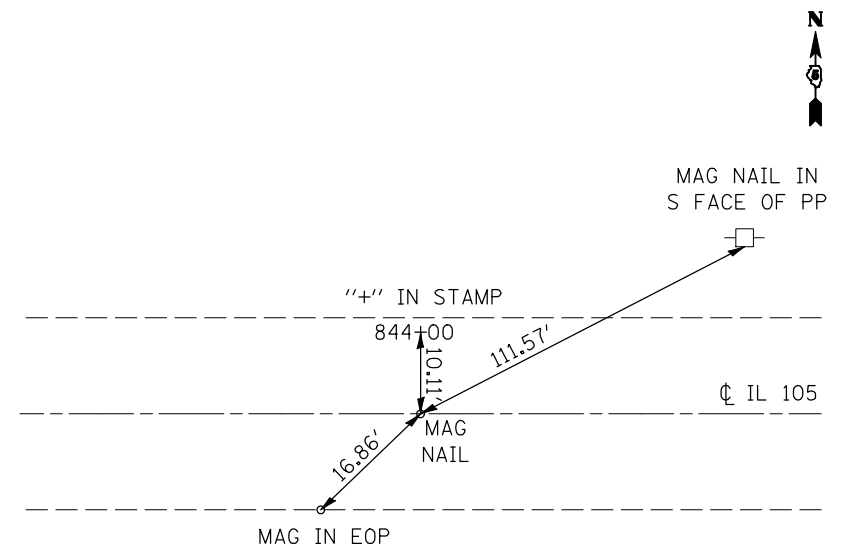
P.O.T. #6
STA. 632 + 93.39



P.O.T. #1
STA. 829 + 95.96



P.O.T. #2
STA. 843 + 96.17



FILE NAME =	USER NAME = hennessdm	DESIGNED -	REVISED -
ct:\pw\work\p\dot\hennessdm\d0184799\0570800-sh1-ATB.dgn		DRAWN -	REVISED -
	PLOT SCALE = 40.0000' / IN.	CHECKED -	REVISED -
	PLOT DATE = 10/19/2010	DATE -	REVISED -

STATE OF ILLINOIS
DEPARTMENT OF TRANSPORTATION

TIE POINTS			
SCALE:	SHEET NO. 1 OF 2 SHEETS	STA.	TO STA.

F.A.P. RTE.	SECTION	COUNTY	TOTAL SHEETS	SHEET NO.
741	(8,9,10)CR	Platt	65	11
CONTRACT NO. 70800			ILLINOIS FED. AID PROJECT	