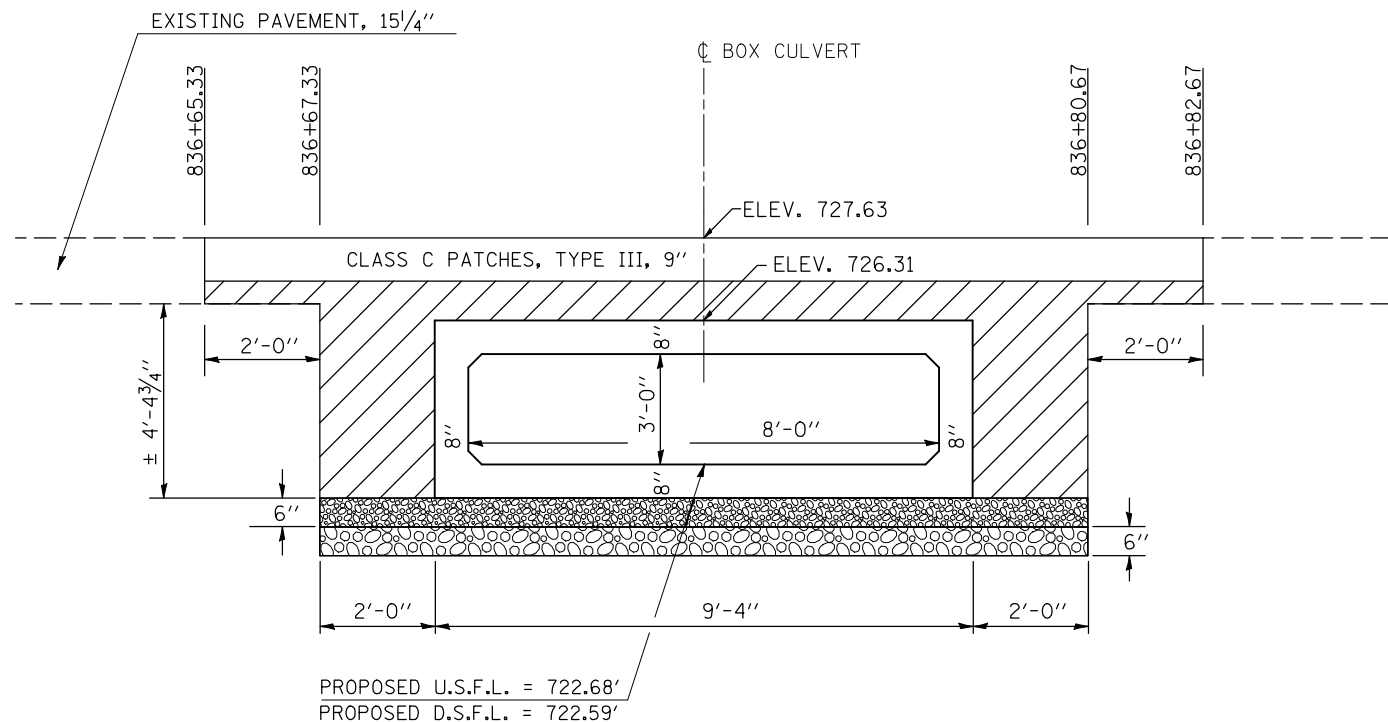


POROUS GRANULAR EMBANKMENT DETAILS

CULVERT NO. 3, STATION 836 + 74.00 S.N. 074-8065



GENERAL NOTES

STONE RIPRAP, CLASS A1

STONE RIPRAP, CLASS A1 SHALL BE USED WHERE A.R. CULVERTS ARE REQUIRED TO BE UNDERCUT DUE TO UNSTABLE SOIL CONDITIONS.

WORK SHOWN IN THE DETAIL SHALL BE PERFORMED IN ACCORDANCE WITH APPLICABLE PORTIONS OF SECTION 281 AND SECTION 282 OF THE STANDARD SPECIFICATIONS.

THIS WORK SHALL BE PAID FOR AT THE CONTRACT UNIT PRICE PER TON FOR STONE RIPRAP, CLASS A1. FILTER FABRIC WILL NOT BE PAID FOR SEPARATELY, BUT SHALL BE INCLUDED WITH THE PAY ITEM FOR STONE, RIPRAP, CLASS A1.

THE EXCAVATION AND REMOVAL OF THE UNSUITABLE MATERIAL UNDER THE STRUCTURE WILL NOT BE PAID FOR SEPARATELY, BUT SHALL BE INCLUDED WITH THE PAY ITEM FOR STONE RIPRAP, CLASS A1.

LEGEND	
	POROUS GRANULAR EMBANKMENT (CA-6)
	POROUS GRANULAR MATERIAL (CA-7) INCLUDED WITH PRECAST BOX CULVERT ITEMS
	STONE RIPRAP, CLASS A1

POROUS GRANULAR EMBANKMENT

POROUS GRANULAR EMBANKMENT SHALL EXTEND 2 FT. BEYOND THE AGGREGATE SHOULDER.

WORK SHOWN IN DETAIL SHALL BE DONE ACCORDING TO THE APPLICABLE PORTIONS OF ARTICLE 207 AND ARTICLE 540 OF THE STANDARD SPECIFICATIONS.

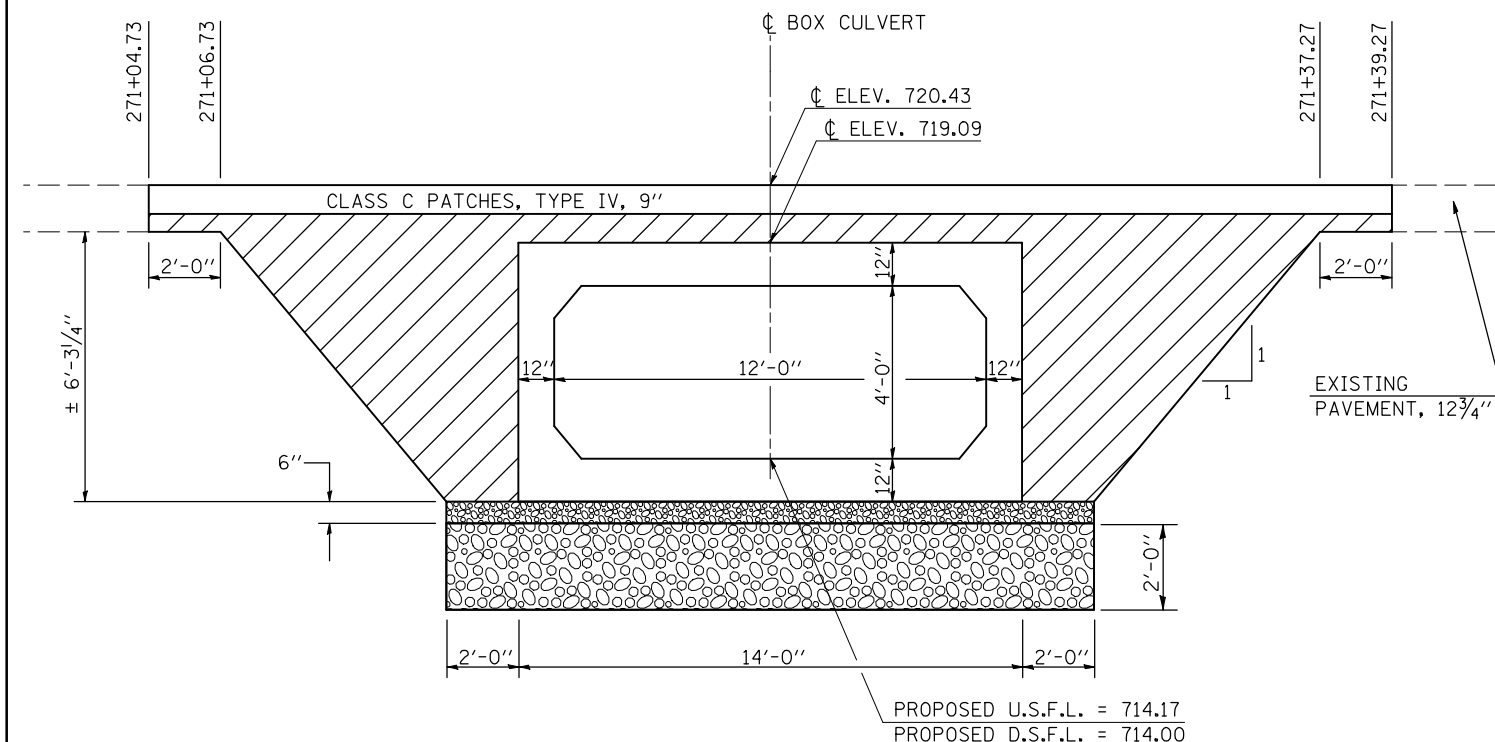
THIS WORK SHALL BE PAID FOR AT THE CONTRACT UNIT PRICE PER CUBIC YARD FOR POROUS GRANULAR EMBANKMENT.

THE AREA TO BE EXCAVATED FOR THE PROPOSED BOX CULVERT SHALL NOT BE MEASURED FOR PAYMENT. THE COST OF THE EXCAVATION SHALL BE CONSIDERED AS INCLUDED IN THE COST OF PRECAST CONCRETE BOX CULVERTS AND BOX CULVERT END SECTIONS.

BILL OF MATERIAL		
ITEM	UNIT	TOTAL
POROUS GRANULAR EMBANKMENT	CU YDS	36.1
STONE RIPRAP, CLASS A1	TONS	21.0

POROUS GRANULAR EMBANKMENT DETAIL

CULVERT NO. 4, STATION 271 + 22.00 S.N. 074-8315



GENERAL NOTES

STONE RIPRAP, CLASS A1

STONE RIPRAP, CLASS A1 SHALL BE USED WHERE A.R. CULVERTS ARE REQUIRED TO BE UNDERCUT DUE TO UNSTABLE SOIL CONDITIONS.

WORK SHOWN IN THE DETAIL SHALL BE PERFORMED IN ACCORDANCE WITH APPLICABLE PORTIONS OF SECTION 281 AND SECTION 282 OF THE STANDARD SPECIFICATIONS.

THIS WORK SHALL BE PAID FOR AT THE CONTRACT UNIT PRICE PER TON FOR STONE RIPRAP, CLASS A1. FILTER FABRIC WILL NOT BE PAID FOR SEPARATELY, BUT SHALL BE INCLUDED WITH THE PAY ITEM FOR STONE, RIPRAP, CLASS A1.

THE EXCAVATION AND REMOVAL OF THE UNSUITABLE MATERIAL UNDER THE STRUCTURE WILL NOT BE PAID FOR SEPARATELY, BUT SHALL BE INCLUDED WITH THE PAY ITEM FOR STONE RIPRAP, CLASS A1.

LEGEND	
	POROUS GRANULAR EMBANKMENT (CA-6)
	POROUS GRANULAR MATERIAL (CA-7) INCLUDED WITH PRECAST BOX CULVERT ITEMS
	STONE RIPRAP, CLASS A1

POROUS GRANULAR EMBANKMENT

POROUS GRANULAR EMBANKMENT SHALL EXTEND 2 FT. BEYOND THE AGGREGATE SHOULDER.

WORK SHOWN IN DETAIL SHALL BE DONE ACCORDING TO THE APPLICABLE PORTIONS OF ARTICLE 207 AND ARTICLE 540 OF THE STANDARD SPECIFICATIONS.

THIS WORK SHALL BE PAID FOR AT THE CONTRACT UNIT PRICE PER CUBIC YARD FOR POROUS GRANULAR EMBANKMENT.

THE AREA TO BE EXCAVATED FOR THE PROPOSED BOX CULVERT SHALL NOT BE MEASURED FOR PAYMENT. THE COST OF THE EXCAVATION SHALL BE CONSIDERED AS INCLUDED IN THE COST OF PRECAST CONCRETE BOX CULVERTS AND BOX CULVERT END SECTIONS.

BILL OF MATERIAL		
ITEM	UNIT	TOTAL
POROUS GRANULAR EMBANKMENT	CU YDS	146.3
STONE RIPRAP, CLASS A1	TONS	187.1

FILE NAME =	USER NAME = hennessdm	DESIGNED -	REVISED -
ct:\pw\work\pwwork\hennessdm\d0184799\0570800-sh1-Details.dgn		DRAWN -	REVISED -
PLOT SCALE = 40.0000 ' / IN.		CHECKED -	REVISED -
PLOT DATE = 10/20/2010		DATE -	REVISED -

**STATE OF ILLINOIS
DEPARTMENT OF TRANSPORTATION**

**POROUS GRANULAR EMBANKMENT DETAILS
FOR CULVERT NO. 3 & 4**

SCALE: SHEET NO. 2 OF 3 SHEETS STA. TO STA.

F.A.P. RTE.	SECTION	COUNTY	TOTAL SHEETS	SHEET NO.
741	(8,9,10)CR	Platt	65	37
CONTRACT NO. 70800			ILLINOIS FED. AID PROJECT	