

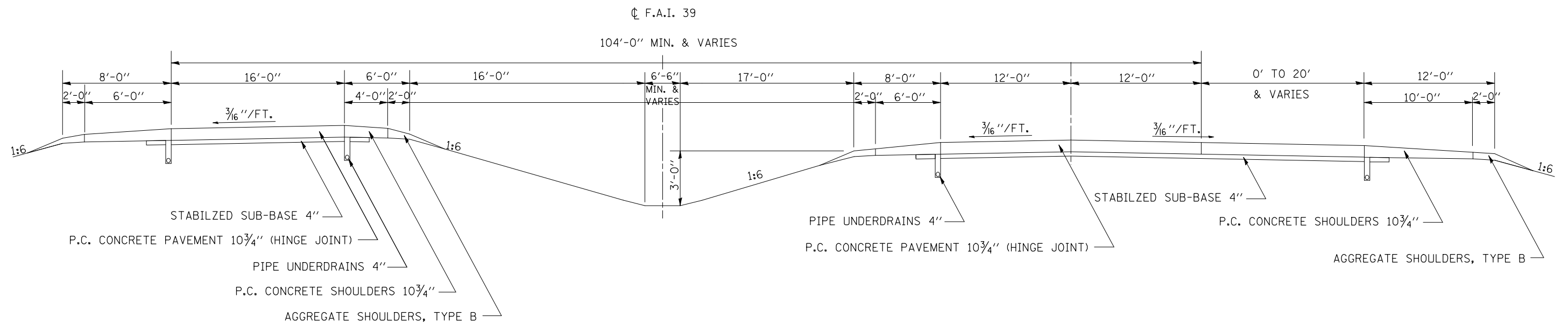
EXISTING TYPICAL SECTION F.A.I. 39

I-39 A-55 INTERCHANGE

TYPICAL I-39 RAMPS AND I-39 MAINLINE WITH AUXILIARY LANE

STA. 41+92.00 I-39 NB TO STA. 110+00.00 I-39 NB

STA. 77+32.00 I-39 SB TO STA. 110+00.00 I-39 SB



FILE NAME =	USER NAME = bucklesjj	DESIGNED - RLA	REVISED -	STATE OF ILLINOIS DEPARTMENT OF TRANSPORTATION	EXISTING TYPICAL SECTION				F.A.I. RTE.	SECTION	COUNTY	TOTAL SHEETS	SHEET NO.
ct:\pw\work\p\dot\bucklesjj\0239130\0570878-shr-typico1.dgn		DRAWN - RLA	REVISED -		39	57(2,3,4)PATCHING-1	MCLEAN	16	5				
PLOT SCALE = 40.0000' / IN.		CHECKED - JMS	REVISED -		CONTRACT NO. 70878				ILLINOIS FED. AID PROJECT				
PLOT DATE = 10/19/2010		DATE - 9/24-10	REVISED -		SCALE: N/A	SHEET NO. OF SHEETS	STA. N/A TO STA. N/A						