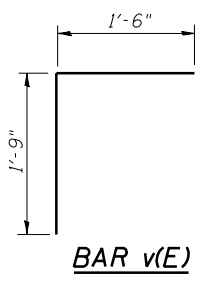
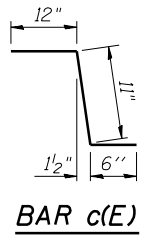
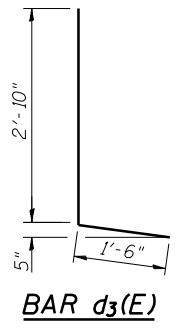
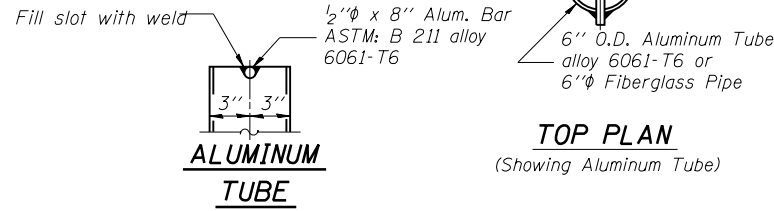
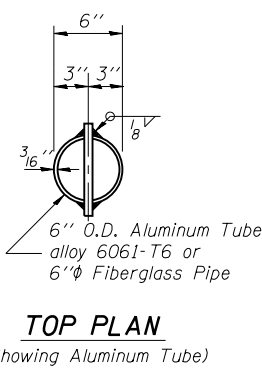
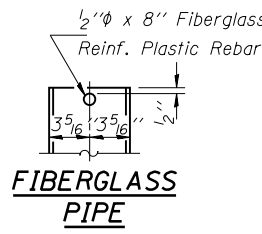
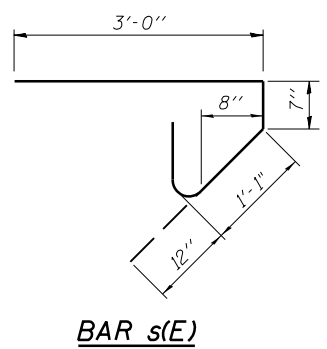
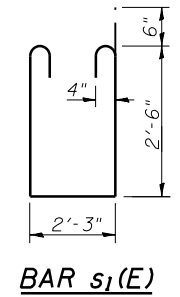
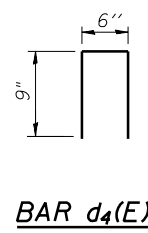
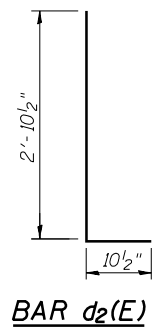
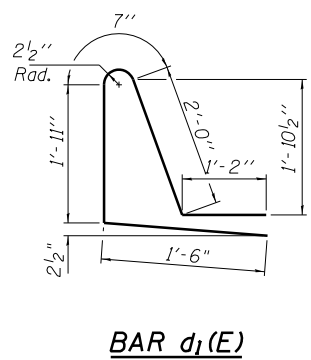
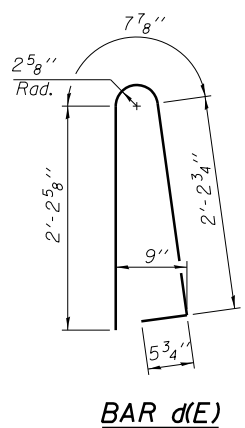
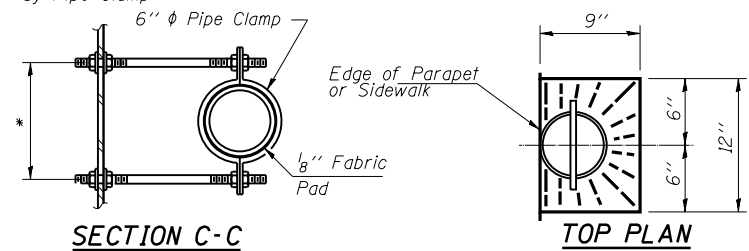


*Dimension as required
by Pipe Clamp

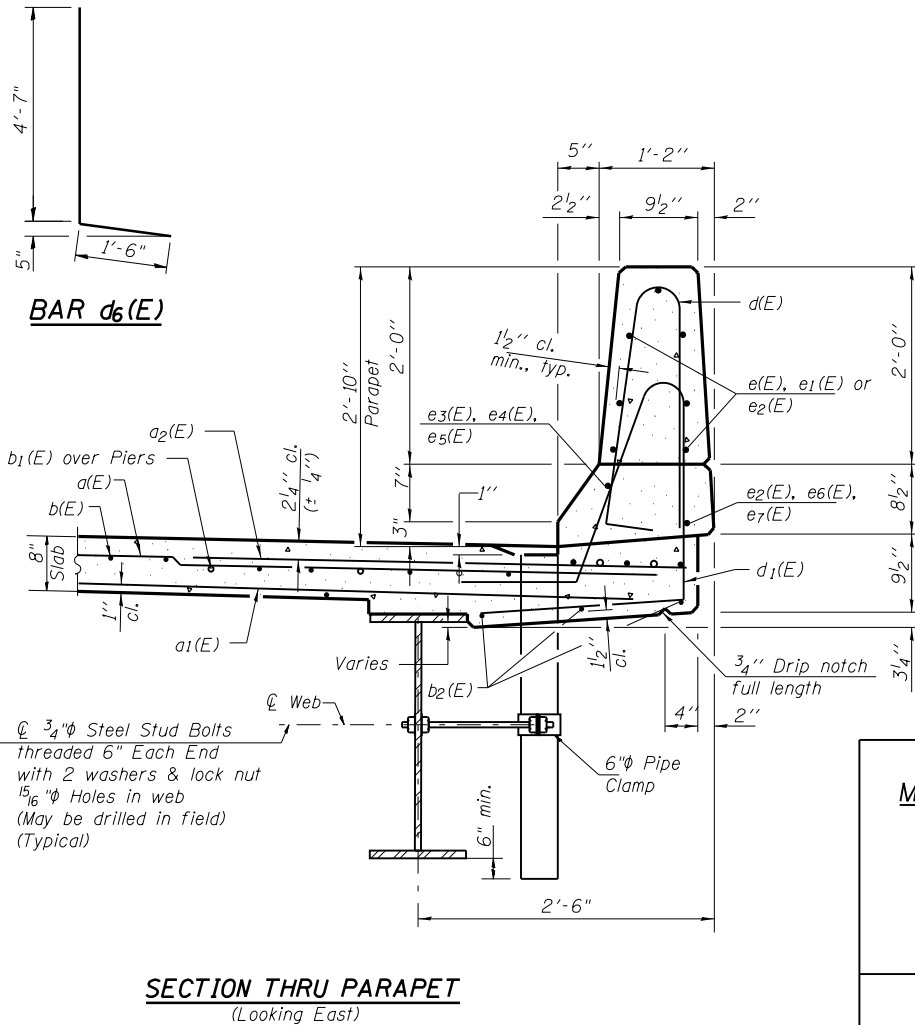
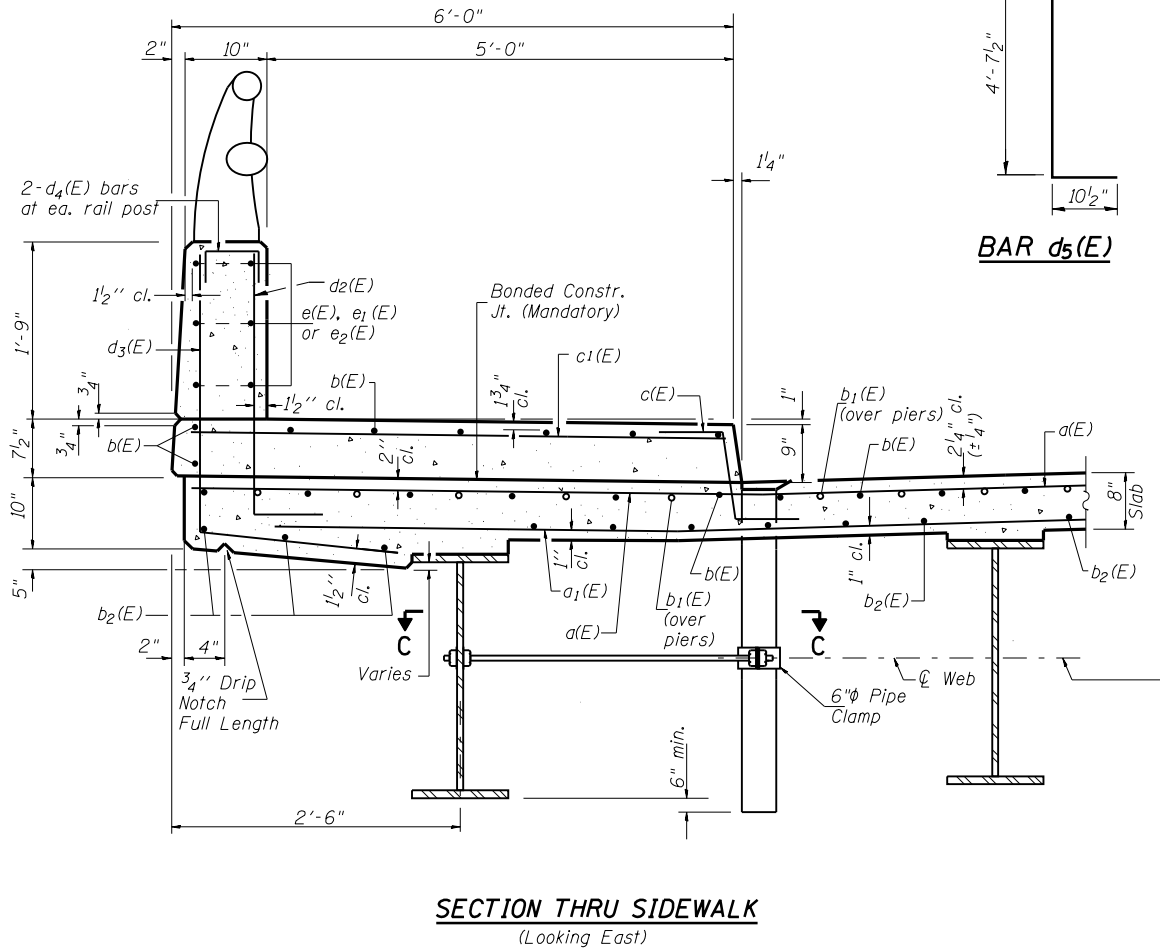
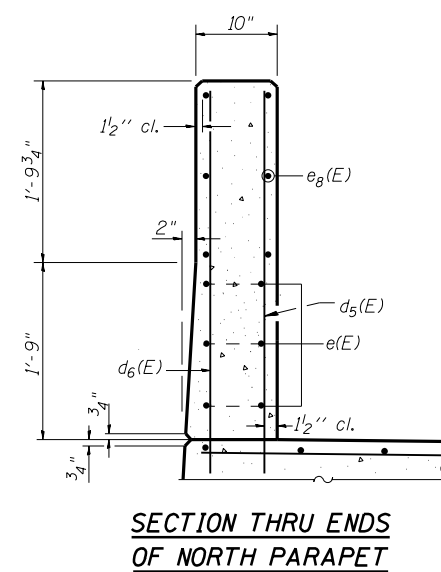


Note: The exterior surfaces of the floor drains shall be painted with the finish coat as specified in the special provisions for Cleaning and Painting Metal Structures. The exterior surfaces of the drains shall be cleaned according to steel Structures Painting Council's Spec. SSPC-SP1 prior to painting. Fiberglass pipe shall conform to ASTM D 2996, with short-time rupture strength hoop tensile stress of 30,000 p.s.i. minimum.

**SUPERSTRUCTURE
BILL OF MATERIAL**

| Bar | No. | Size | Length | Shape |
|----------------------------------|---------|------|---------|-------|
| a(E) | 220 | #5 | 38'-0" | — |
| a1(E) | 176 | #5 | 37'-7" | — |
| a2(E) | 110 | #6 | 4'-6" | — |
| a3(E) | 4 | #5 | 41'-2" | — |
| b(E) | 245 | #5 | 30'-8" | — |
| b1(E) | 78 | #6 | 32'-8" | — |
| b2(E) | 216 | #5 | 25'-10" | — |
| c(E) | 147 | #5 | 2'-5" | — |
| c1(E) | 147 | #5 | 5'-6" | — |
| d(E) | 161 | #5 | 5'-7" | — |
| d1(E) | 161 | #5 | 7'-2" | — |
| d2(E) | 139 | #6 | 3'-9" | — |
| d3(E) | 139 | #4 | 4'-4" | — |
| d4(E) | 32 | #4 | 2'-0" | — |
| d5(E) | 10 | #4 | 5'-6" | — |
| d6(E) | 10 | #6 | 6'-1" | — |
| e(E) | 52 | #4 | 16'-5" | — |
| e1(E) | 39 | #4 | 15'-9" | — |
| e2(E) | 56 | #4 | 7'-8" | — |
| e3(E) | 2 | #8 | 33'-2" | — |
| e4(E) | 2 | #8 | 25'-8" | — |
| e5(E) | 4 | #8 | 7'-8" | — |
| e6(E) | 2 | #4 | 33'-2" | — |
| e7(E) | 2 | #4 | 24'-10" | — |
| e8(E) | 12 | #4 | 3'-9" | — |
| m(E) | 4 | #6 | 39'-7" | — |
| m1(E) | 6 | #6 | 41'-7" | — |
| m2(E) | 24 | #6 | 9'-3" | — |
| m3(E) | 10 | #6 | 6'-9" | — |
| m4(E) | 4 | #6 | 2'-3" | — |
| s(E) | 82 | #5 | 5'-8" | — |
| s1(E) | 72 | #4 | 8'-3" | — |
| v(E) | 76 | #5 | 3'-3" | — |
| Reinforcement Bars, Epoxy Coated | Pound | | 42,710 | |
| Concrete Superstructure | Cu. Yd. | | 216.6 | |
| Bar Splicers | Each | | 76 | |

Bars indicated thus 1 x 2 - #5 etc. indicates 1 line of bars with 2 lengths per line.



| | |
|----------|-----|
| DESIGNED | BAN |
| CHECKED | JOH |
| DRAWN | TC |
| CHECKED | BAN |

SUPERSTRUCTURE DETAILS
MOUND ROAD (FAU ROUTE 8173)
OVER ILLINOIS ROUTE 104
SECTION (69-HB)BR
MORGAN COUNTY
STATION 100+00.00
STRUCTURE NO. 069-0521
 HU CHISON ENGINEERING, INC.
 JACKSONVILLE, ILLINOIS
 Date: 12/21/07