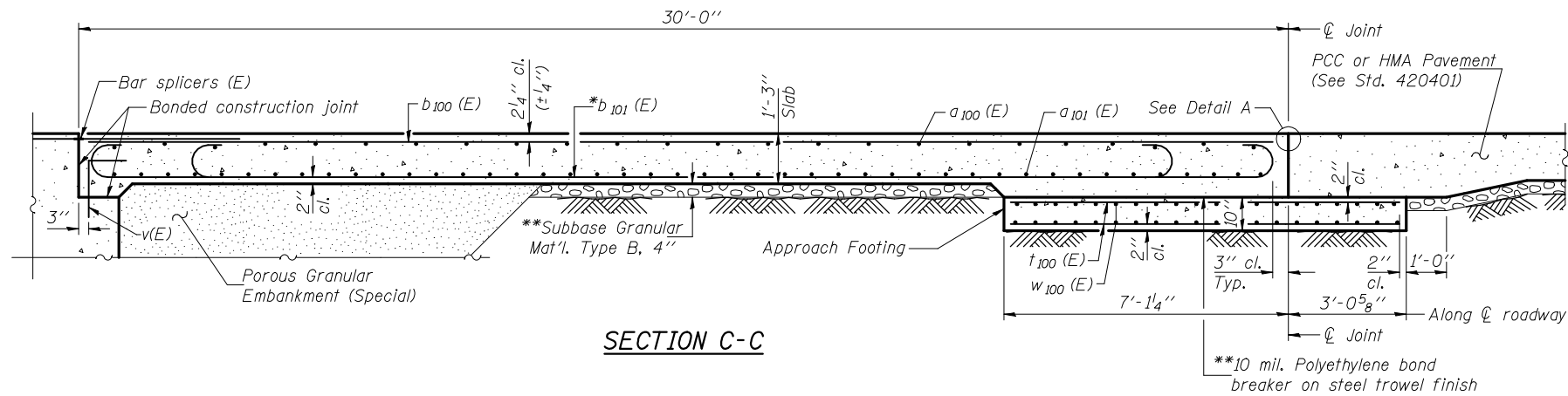


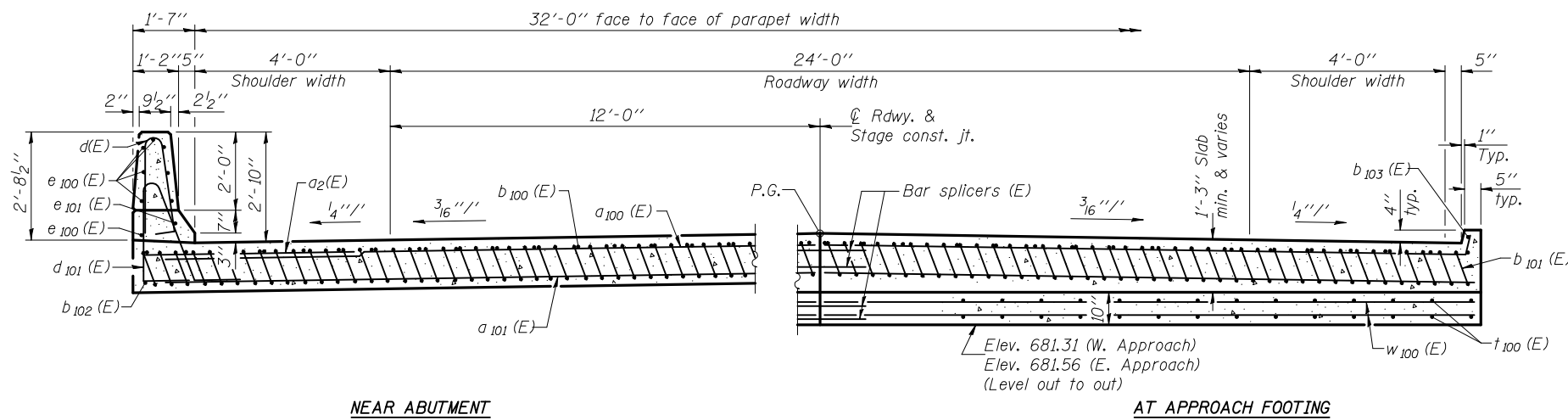
STATE OF ILLINOIS
DEPARTMENT OF TRANSPORTATION

Notes:

See sheet 11 of 21 for Detail A and View B-B.
Approach slab and parapet concrete shall be paid for as Concrete Superstructure.
Approach footing concrete shall be paid for as Concrete Structures.
Reinforcement shall be paid for as Reinforcement Bars, Epoxy Coated.
For v(E) bar details, see sheet 9 of 21.
The approach footing maximum applied service bearing pressure (Qmax) = 2.0 ksf.
For bar splicer details, see sheet 18 of 21.
Cost of excavation for approach footing included with Concrete Structures.
For Porous Granular Embankment (Special) and drainage treatment details, see sheet 2 of 21.



SECTION C-C

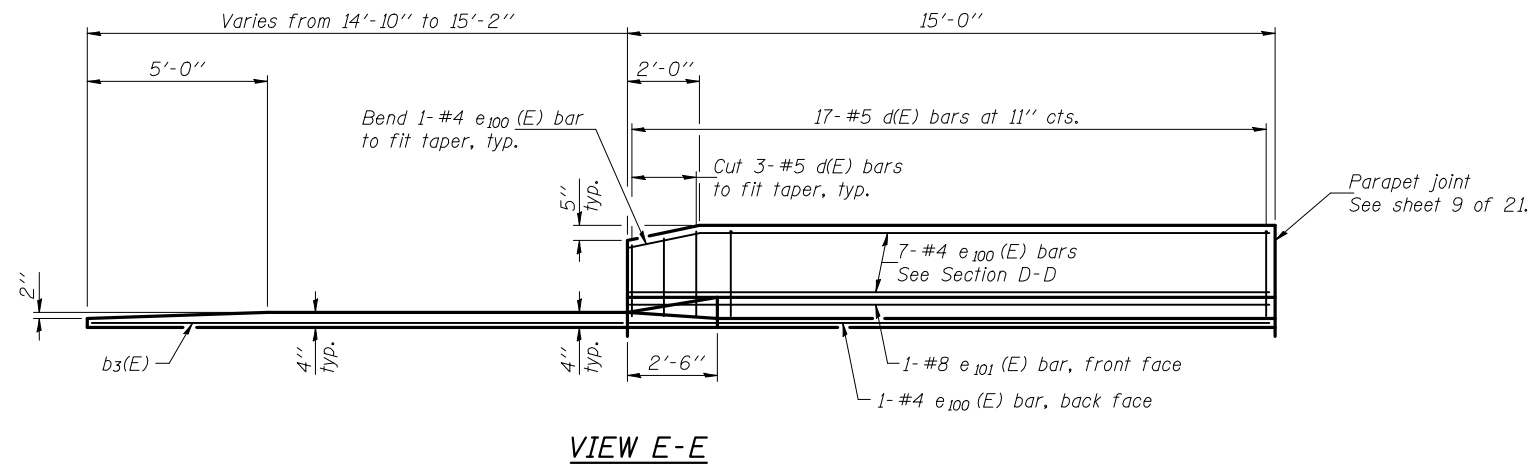


NEAR ABUTMENT

SECTION D-D

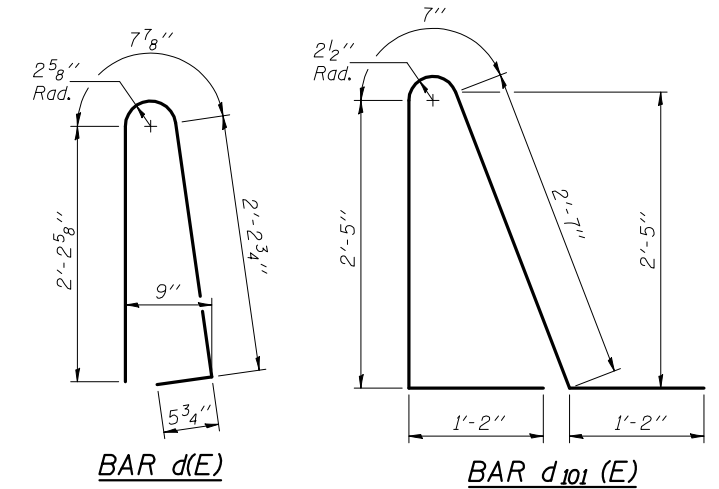
(See Plan for dimensions not shown)

AT APPROACH FOOTING



VIEW E-E

*Tilt #9 b101(E) bars as required to maintain clearance.
**Cost included with Concrete Superstructure.



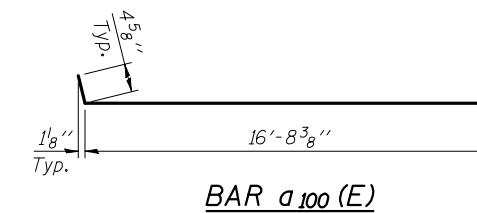
BAR d(E)

BAR d101(E)

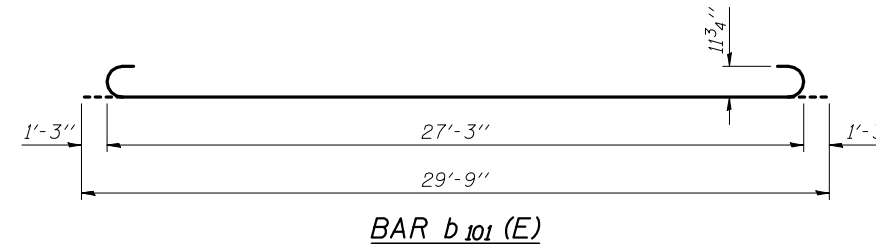
TWO APPROACHES
BILL OF MATERIAL

Bar	No.	Size	Length	Shape
a100(E)	100	#4	17'-1"	—
a101(E)	184	#5	16'-10"	—
a2(E)	48	#6	6'-6"	—
b100(E)	68	#4	29'-8"	—
b101(E)	160	#9	29'-9"	—
b102(E)	4	#4	14'-8"	—
b103(E)	4	#4	14'-11"	—
d(E)	68	#5	5'-7"	U
d101(E)	68	#5	7'-11"	U
e100(E)	32	#4	14'-8"	—
e101(E)	4	#8	14'-8"	—
t100(E)	136	#4	9'-9"	—
w100(E)	160	#5	16'-10"	—
Concrete Superstructure		Cu. Yd.	96.7	
Concrete Structures		Cu. Yd.	21.2	
Reinforcement Bars, Epoxy Coated		Pound	27570	

Reinforcement bars and bar splicers for approach slab and footing are included in Superstructure Quantities.



BAR a100(E)



BAR b101(E)

DESIGNED	Phillip E. Coppernoll
CHECKED	Justin T. Belue
DRAWN	h.t. duong
CHECKED	PEC/JTB

EXAMINED	December 6, 2010
PASSED	Thomas J. Domagala ENGINEER OF BRIDGE DESIGN
	Ralph E. Anderson ENGINEER OF BRIDGES AND STRUCTURES

BRIDGE APPROACH SLAB DETAILS
STRUCTURE NO. 001-0507

SHEET NO. 12 21 SHEETS	F.A.P. RTE.	SECTION	COUNTY	TOTAL SHEETS	SHEET NO.
	745	107B-1	ADAMS	86	46
CONTRACT NO. 72B98					
FED. ROAD DIST. NO. _ ILLINOIS FED. AID PROJECT					