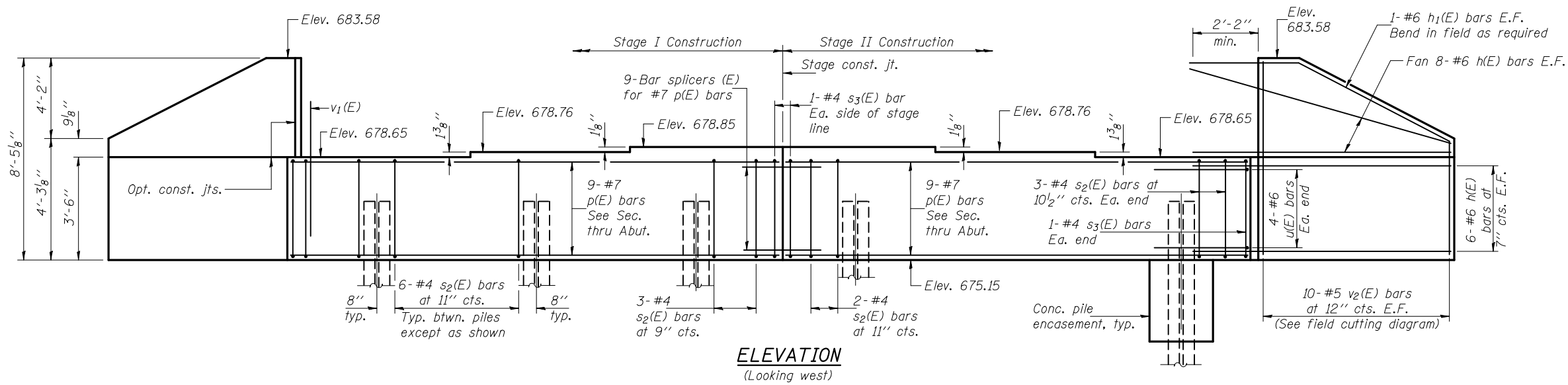
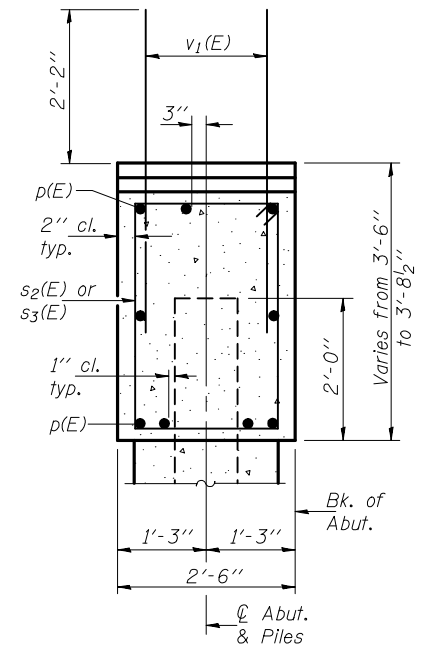


STATE OF ILLINOIS
DEPARTMENT OF TRANSPORTATION



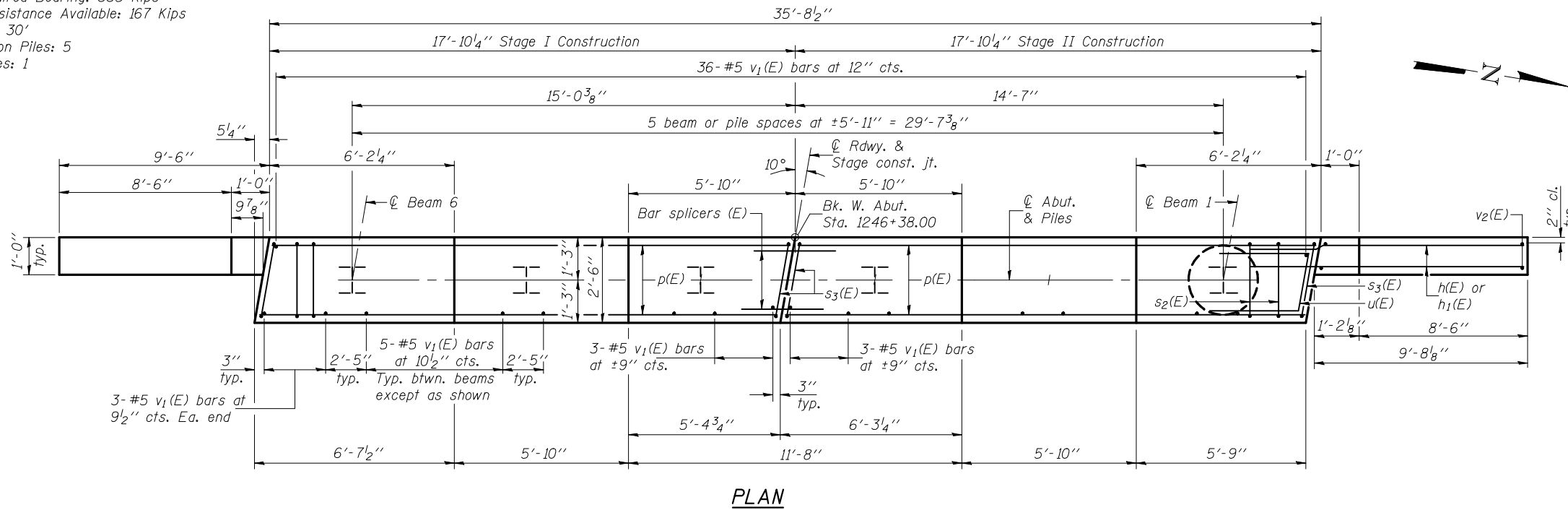
ELEVATION
(Looking west)



SEC. THRU ABUT.

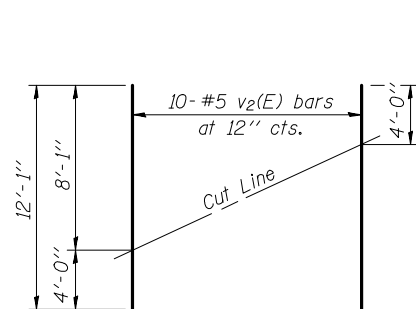
PILE DATA

Type: Steel HP10x42
Nominal Required Bearing: 335 Kips
Factored Resistance Available: 167 Kips
Est. Length: 30'
No. Production Piles: 5
No. Test Piles: 1



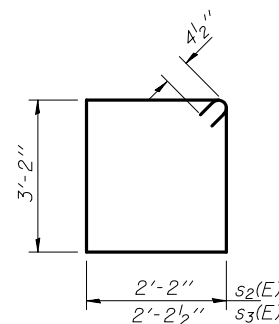
PLAN

Notes: Pour steps monolithically with cap.
For details of piles and concrete encasement, see sheet 19 of 21.
For details of bar splicers, see sheet 18 of 21.

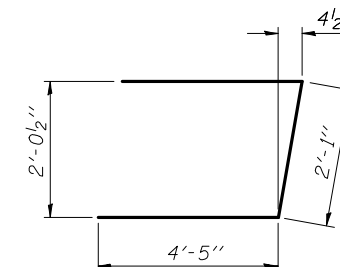


FIELD CUTTING DIAGRAM

Order v2(E) full length. Cut as shown and use remainder of bars in opposite face.



BARS s2(E) & s3(E)



BAR u(E)

BILL OF MATERIAL

| Bar | No. | Size | Length | Shape |
|----------------------------------|-----|------|---------|-------|
| h(E) | 56 | #6 | 12'-1" | — |
| h1(E) | 4 | #6 | 13'-7" | — |
| p(E) | 18 | #7 | 17'-6" | — |
| s2(E) | 35 | #4 | 11'-5" | □ |
| s3(E) | 4 | #4 | 11'-6" | □ |
| u(E) | 8 | #6 | 10'-11" | └ |
| v1(E) | 68 | #5 | 4'-4" | — |
| v2(E) | 20 | #5 | 12'-1" | — |
| Structure Excavation | | | Cu. Yd. | 85 |
| Concrete Structures | | | Cu. Yd. | 16.5 |
| Reinforcement Bars, Epoxy Coated | | | Pound | 2730 |
| Furnishing Steel Piles HP10x42 | | | Foot | 150 |
| Driving Piles | | | Foot | 150 |
| Test Pile Steel HP10x42 | | | Each | 1 |
| Concrete Encasement | | | Cu. Yd. | 2.1 |

| | |
|----------|-----------------------|
| DESIGNED | Phillip E. Coppernoll |
| CHECKED | Justin T. Belue |
| DRAWN | h.t. duong |
| CHECKED | PEC/JTB |

| | |
|----------|---|
| EXAMINED | December 6, 2010 |
| EXAMINED | Thomas J. Domagala ENGINEER OF BRIDGE DESIGN |
| PASSED | Ralph E. Anderson ENGINEER OF BRIDGES AND STRUCTURES |

**WEST ABUTMENT
STRUCTURE NO. 001-0507**

| | | | | | |
|---|-------------|---------|--------------------|--------------|-----------|
| SHEET NO. 16 21 SHEETS | F.A.P. RTE. | SECTION | COUNTY | TOTAL SHEETS | SHEET NO. |
| | 745 | 107B-1 | ADAMS | 86 | 50 |
| | | | CONTRACT NO. 72B98 | | |
| FED. ROAD DIST. NO. _ ILLINOIS FED. AID PROJECT | | | | | |