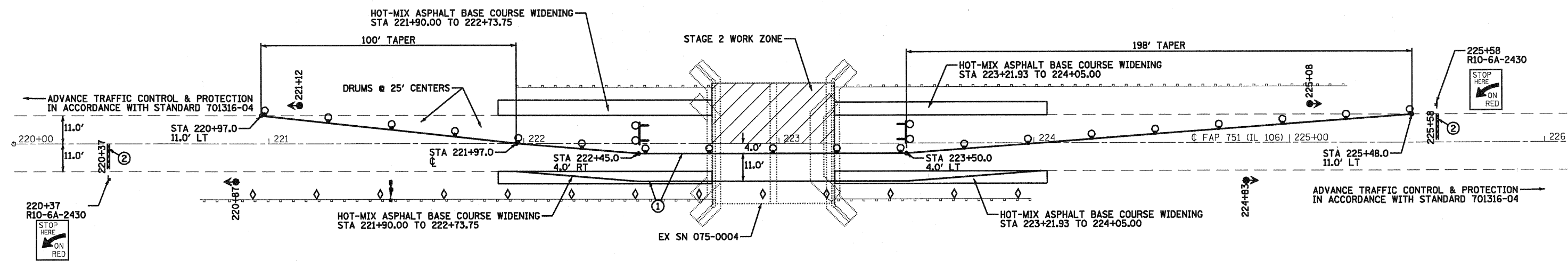


SN 075-0004 - STAGE 2 CONSTRUCTION



PAVEMENT MARKING TAPE, TYPE III SCHEDULE

LOCATION	70300530	70300570
	5" (FOOT)	24" (FOOT)
220+37 STOP BAR		11
220+47 TO 224+98 RT EDGELINE	453	
221+92 TO 223+98 LT EDGELINE	206	
225+58 STOP BAR		11
220+97 TO 225+48 LT EDGELINE	453	
221+97 TO 224+03 RT EDGELINE	206	
TOTAL	1318	22

GUARDRAIL MARKER SCHEDULE

LOCATION	STAGE	78200410	78200420
		TYPE A (EACH)	TYPE B (EACH)
221+98 TO 222+75 LT	1	3	
222+75 TO 223+21 LT	1		2
223+21 TO 225+23 LT	1	8	
220+73 TO 222+75 RT	2	8	
222+75 TO 223+21 RT	2		2
223+21 TO 223+99 RT	2	3	
TOTAL		22	4

WORK ZONE PAVEMENT MARKING REMOVAL SCHEDULE

PAY ITEM	LENGTH (FOOT)	70301000
		AREA (SQ FT)
70300100 SHORT-TERM	96	32.0
70300230 TEMPORARY 5"	570	237.5
70300530 TAPE TYPE III 5"	1318	549.2
70300570 TAPE TYPE III 24"	22	44.0
TOTAL		862.7

PAVEMENT MARKING REMOVAL SCHEDULE

LOCATION	LENGTH (FOOT)	78300100
		AREA (SQ FT)
220+37 TO 225+58 CENTERLINE	140	58.3
221+92 TO 223+98 LT EDGELINE	206	85.8
221+97 TO 224+03 RT EDGELINE	206	85.8
TOTAL		229.9

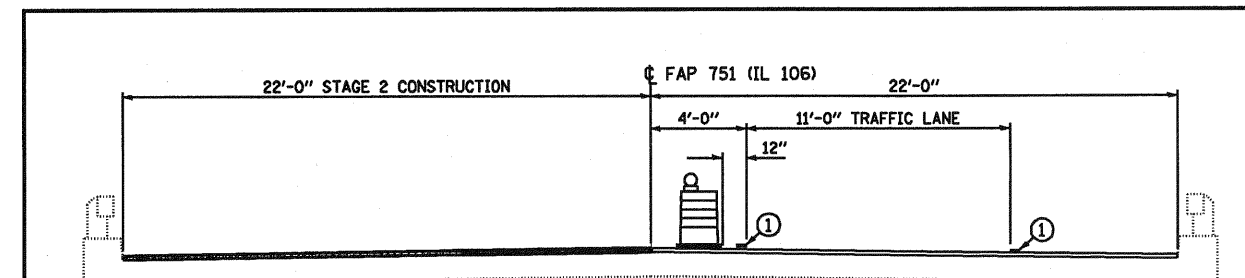
TRAFFIC CONTROL BILL OF MATERIAL - LOCATION 2

ITEM	UNIT	QUANTITY
TRAFFIC CONTROL AND PROTECTION, STANDARD 701306	L SUM	1
TRAFFIC CONTROL AND PROTECTION, STANDARD 701326	L SUM	1
TRAFFIC CONTROL SURVEILLANCE	CAL DA	4
TRAFFIC CONTROL AND PROTECTION, STANDARD 701316, LOCATION 2	EACH	1
TEMPORARY RUMBLE STRIP	EACH	6
PAVEMENT MARKING TAPE, TYPE III 5"	FOOT	1318
PAVEMENT MARKING TAPE, TYPE III 24"	FOOT	22
WORK ZONE PAVEMENT MARKING REMOVAL	SQ FT	862.7
GUARDRAIL MARKERS, TYPE A	EACH	22
GUARDRAIL MARKERS, TYPE B	EACH	4
PAVEMENT MARKING REMOVAL	SQ FT	229.9
TEMPORARY BRIDGE TRAFFIC SIGNALS	EACH	1

* - REQUIRED AT BOTH LOCATIONS, NOT TO BE PAID FOR SEPARATELY

SYMBOLS

- TYPE III BARRICADE WITH FLASHING LIGHTS
- SIGN
- DRUM WITH STEADY BURNING LIGHT
- TRAFFIC SIGNAL
- MICROWAVE DETECTOR SYSTEM ON 12'- 15' POLE
- CRYSTAL BIDIRECTIONAL PARAPET / GUARDRAIL MARKER
- PAVEMENT MARKING TAPE, TYPE III 5" (WHITE)
- PAVEMENT MARKING TAPE, TYPE III 24" (WHITE)



TYPICAL SECTION - STAGE 2 CONSTRUCTION

S.N. 074-0004 - LOOKING EAST

SEE STRUCTURE PLANS FOR ADDITIONAL DETAILS

FILE NAME =	USER NAME = coxte	DESIGNED -	REVISED -
c:\pwwork\pwwork\COXTE\d0183187\067204\ah-rt-staging.dgn		DRAWN -	REVISED -
PLOT SCALE = 40.0000 1 / IN.		CHECKED -	REVISED -
PLOT DATE = Feb-18-2009 01:52:24PM		DATE -	REVISED -

STATE OF ILLINOIS
DEPARTMENT OF TRANSPORTATION

TRAFFIC CONTROL AND PROTECTION DETAILS
SN 074-0004

SCALE: 1" = 20'

SHEET NO. 2 OF 2 SHEETS

STA. TO STA.

F.A.P. RTE.	SECTION	COUNTY	TOTAL SHEETS	SHEET NO.
751	D6 BRIDGE REPAIR 2009	PIKE	22	10
FED. ROAD DIST. NO. (ILLINOIS) FED. AID PROJECT				

CONTRACT NO. 72D44