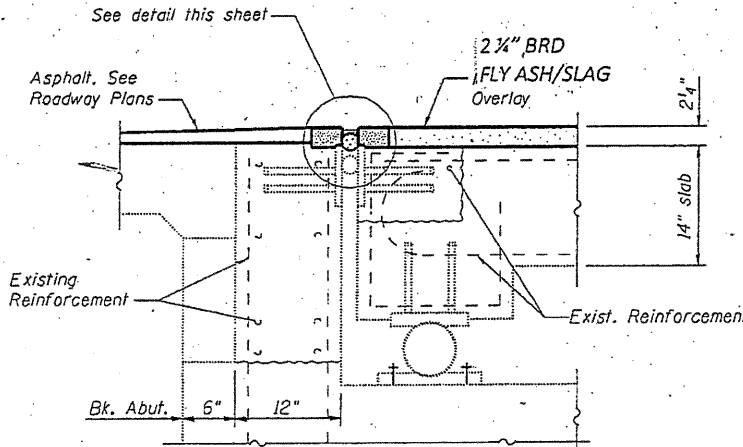
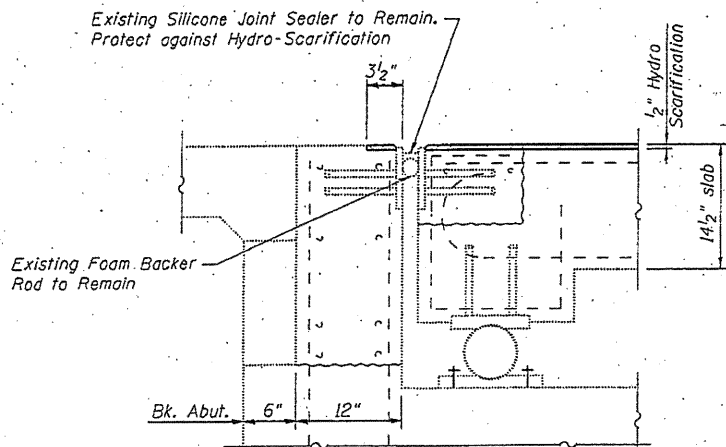
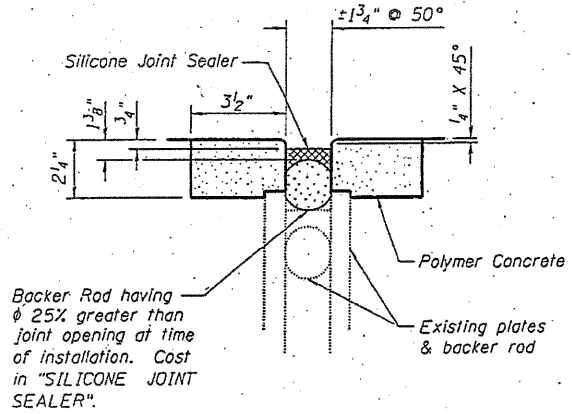
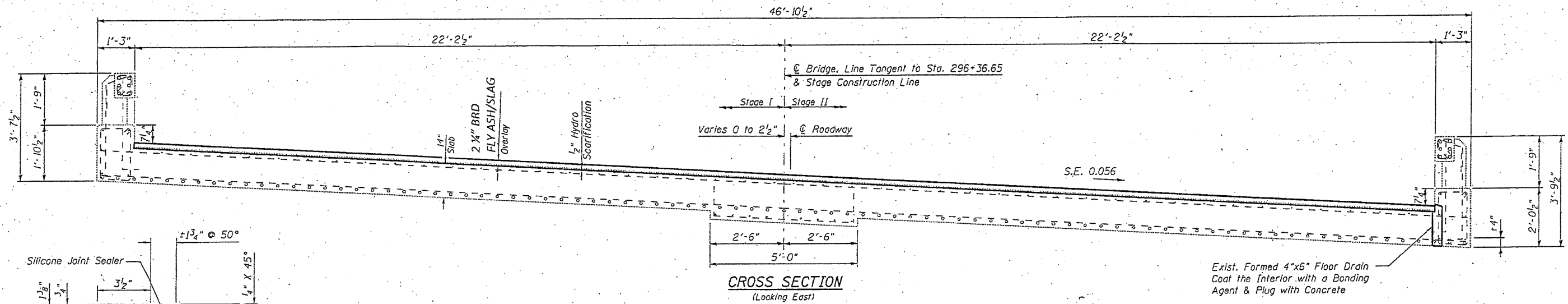
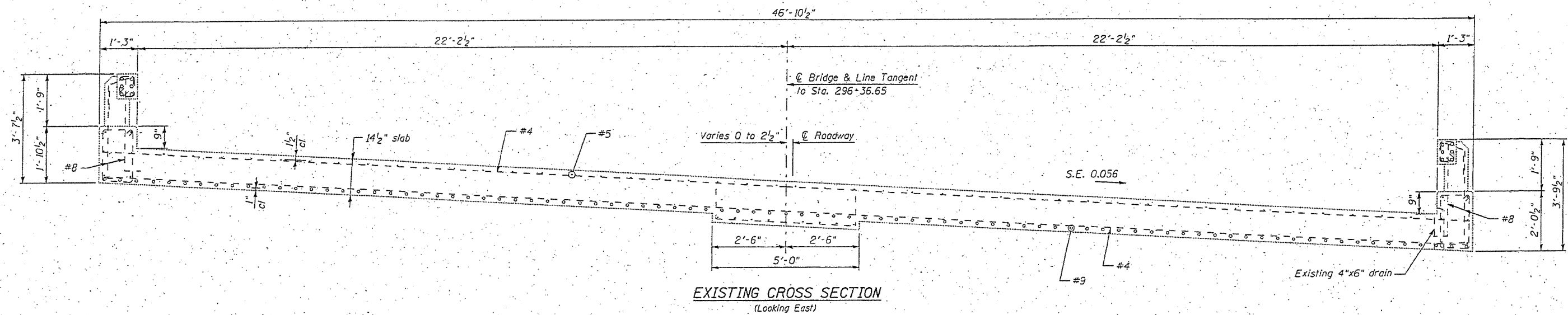


Feb-10-2010 01:52:45PM



SUPERSTRUCTURE DETAILS
IL 106 OVER THE SNY RIVER
SN 075-0024

DESIGNED KTH
CHECKED ADL
DRAWN KTH/BGJ
CHECKED ADL

KLINGNER & ASSOCIATES, P.C.
 Engineers - Architects - Surveyors
 62 North 214 Street, Spring, IL 60172-2079 - Fax: 630-220-3300
 131 Perry Street, Normal, IL 61754-2008 - Fax: 630-220-4812
 118 S. 4th Street, Suite 200, Normal, IL 61754-2008 - Fax: 630-220-3365
 118 S. 4th Street, Suite 200, Normal, IL 61754-2008 - Fax: 630-220-3365
 Internet Address: www.klingner.com
 STATE OF ILLINOIS DESIGN FIRM # 1842739

SHEET NO. 4	F.A.P. RTE.	SECTION	COUNTY	TOTAL SHEETS	SHEET NO.
	751	D6 BRIDGE REPAIR-2009	PIKE	22	16
5 SHEETS					
CONTRACT NO. 72D44					
FED. ROAD DIST. NO. ILLINOIS FED. AID PROJECT					

Klingner & Associates, P.C.