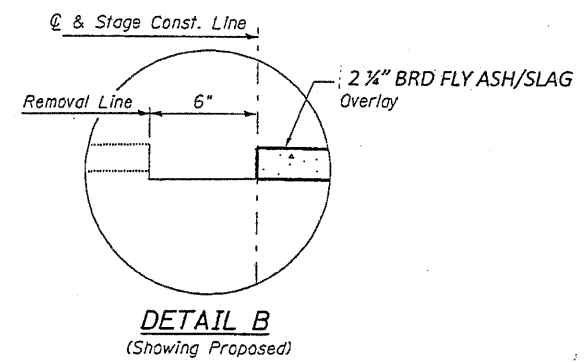
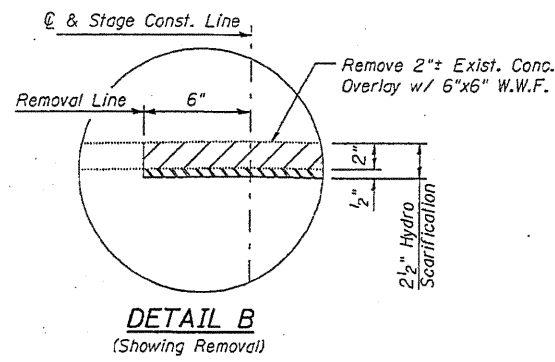
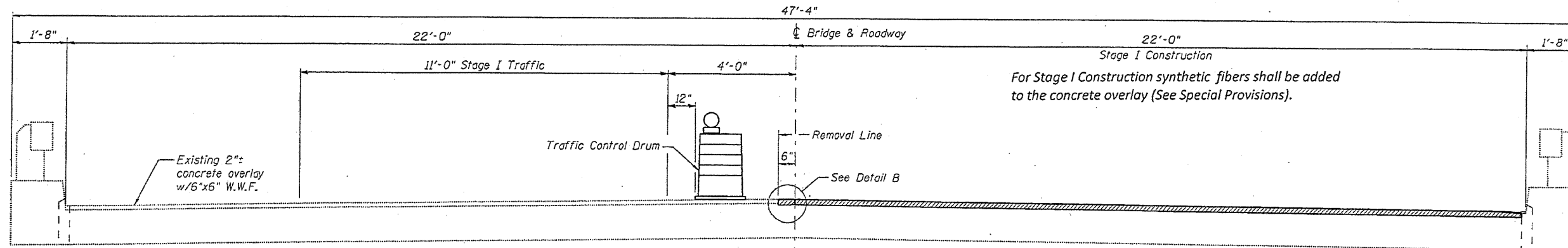
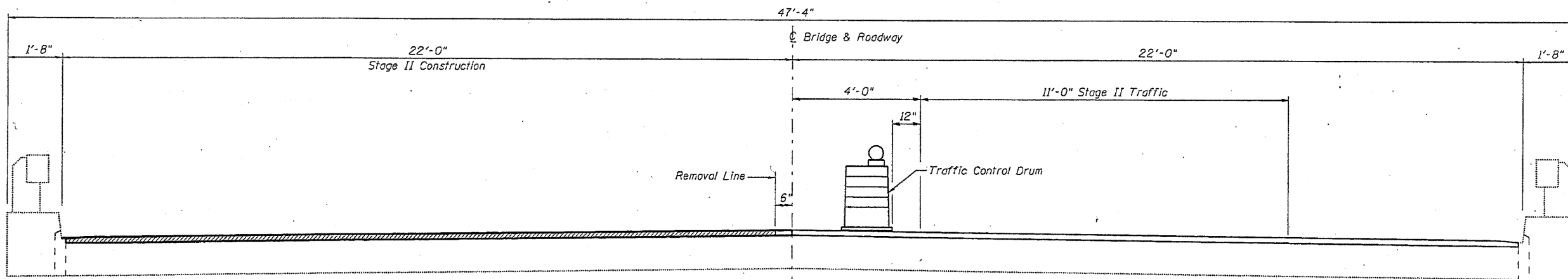


Feb-10-2010 01:52:54PM



STAGE I CONSTRUCTION
(Looking East)



STAGE II CONSTRUCTION
(Looking East)

DESIGNED	KTH
CHECKED	ADL
DRAWN	KTH/BGJ
CHECKED	ADL

KLINGNER & ASSOCIATES, P.C.
Engineers • Architects • Surveyors

200 North 7th Street, Suite 300, Chicago, IL 60610
 100 North Canal Street, Suite 100, Chicago, IL 60610
 118 North State Street, Suite 100, Chicago, IL 60610
 111 North State Street, Suite 100, Chicago, IL 60610

STATE OF ILLINOIS DESIGN FIRM # 1842738

STAGING
IL 106 OVER HADLEY CREEK
SN 075-0004

SHEET NO. 2 5 SHEETS	F.A.P. RTE.	SECTION	COUNTY	TOTAL SHEETS	SHEET NO.
	751	D6 BRIDGE REPAIR 2009	PIKE	22	19
FED. ROAD DIST. NO.			ILLINOIS FED. AID PROJECT		
CONTRACT NO. 72D44					

Klingner & Associates P.C.