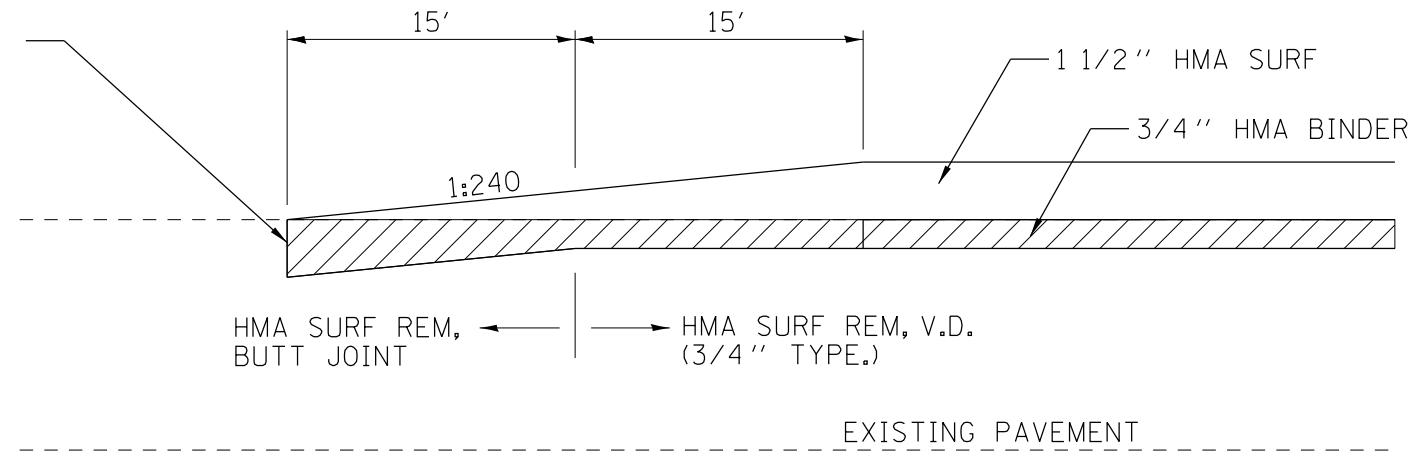
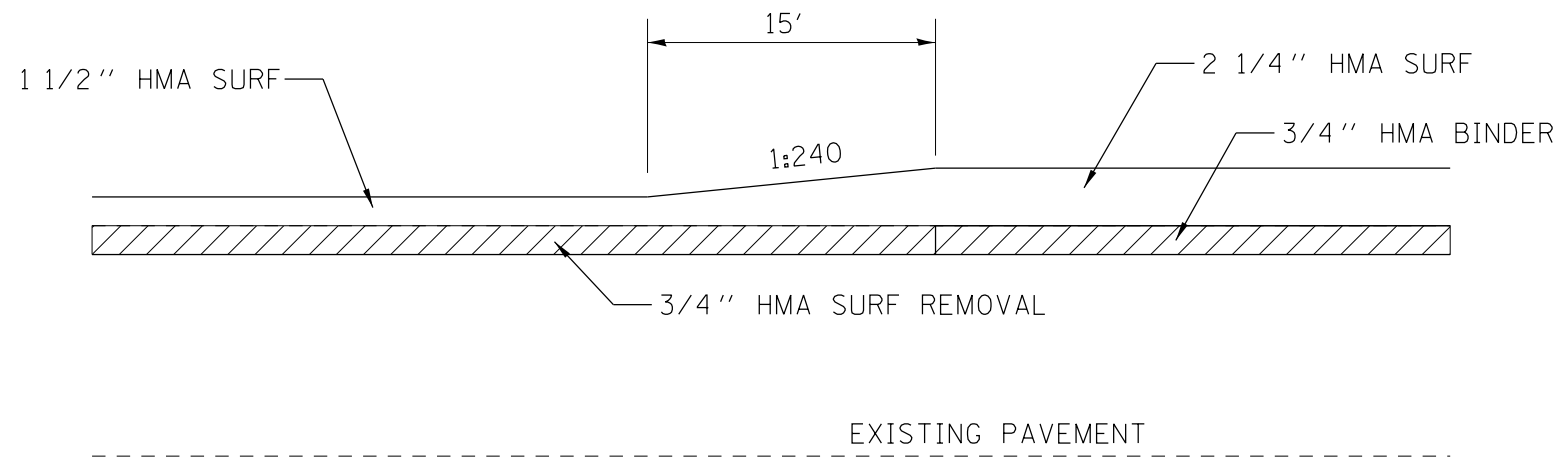


1 1/2" SAW CUT (COST TO BE INCLUDED IN HMA SURFACE REMOVAL, BUTT JOINT)



HMA BUTT JOINT



1 1/2" RESURFACING TO 2 1/4" RESURFACING TRANSITION

FILE NAME =	USER NAME = laughlinr1	DESIGNED -	REVISED -
et:\pw\work\pwidot\laughlinr1\0217723\0672056-shr-details.dgn		DRAWN -	REVISED -
		CHECKED -	REVISED -
		DATE -	REVISED -

STATE OF ILLINOIS  
DEPARTMENT OF TRANSPORTATION

TRANSITION DETAILS

SCALE: SHEET NO. OF SHEETS STA. TO STA.

F.A.S. RTE.	SECTION	COUNTY	TOTAL SHEETS	SHEET NO.
618	(B)RS-4, (O-15)RS-2	SANGAMON	32	28
CONTRACT NO. 72D56			ILLINOIS FED. AID PROJECT	