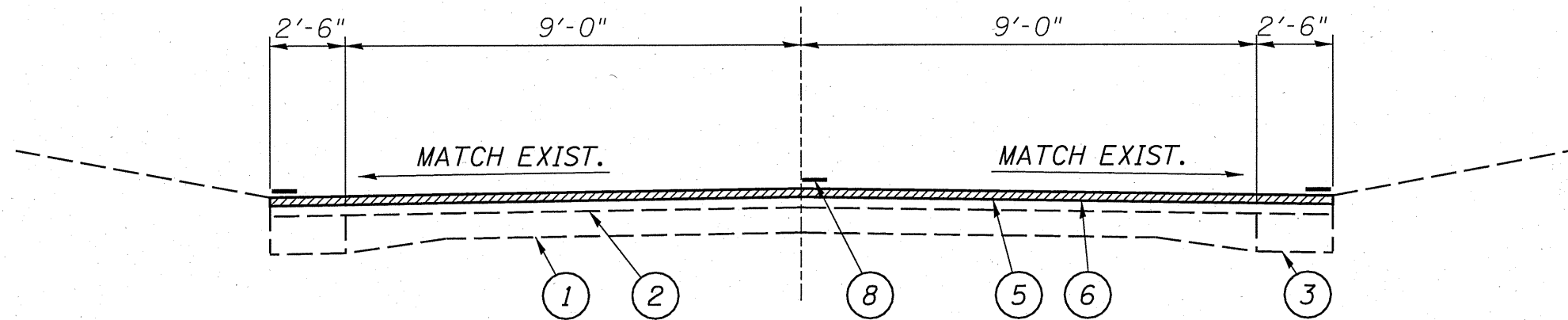


STA. 1905+79 TO 1957+15



STA. 1770+36 TO 1797+50

LEGEND

- 1 - EXIST. P.C.C. PAVEMENT
- 2 - EXIST. HOT-MIX ASPHALT SURFACE
- 3 - EXIST. BASE COURSE WIDENING
- 4 - EXIST. AGGREGATE SHOULDERS
- 5 - PROP. HOT-MIX ASPHALT SURFACE REMOVAL 2"
- 6 - PROP. HOT-MIX ASPHALT SURFACE COURSE, MIX C, N70 2"
- 7 - PROP. AGGREGATE SHOULDERS, TYPE B
- 8 - PROP. PAINT PAVEMENT MARKING - LINE 5"

TYPICALS
FAP 317 (US 24)
SECTION 2 RS-7
ADAMS COUNTY