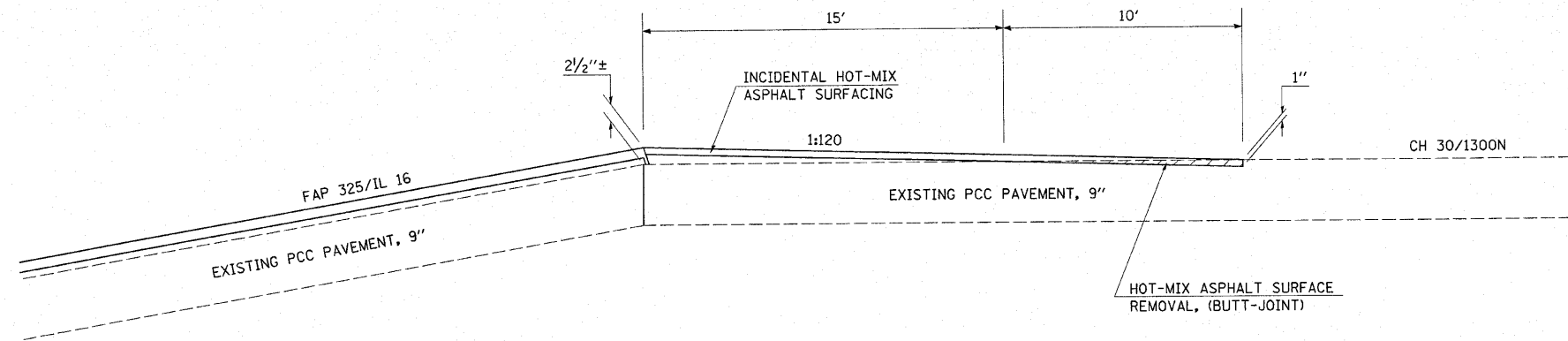
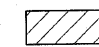


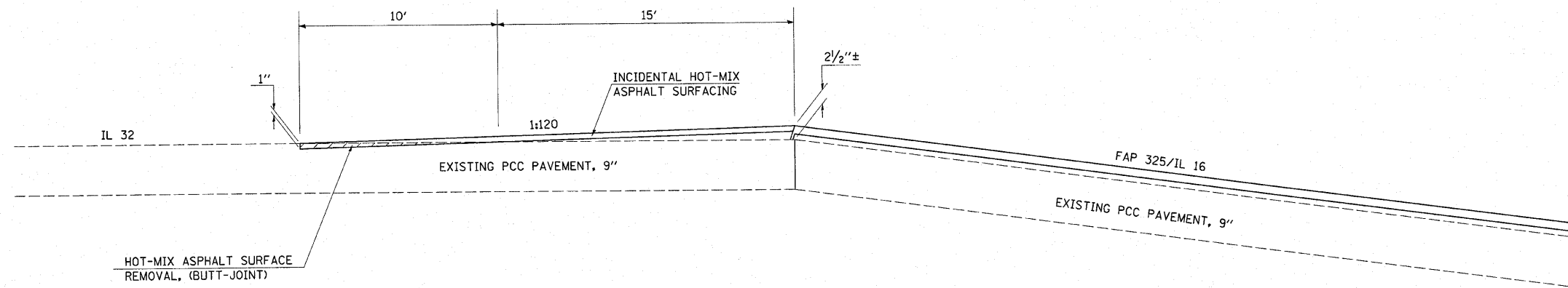
BUTT JOINT @ IL 16 / CH 38 INTERSECTION




 HOT-MIX ASPHALT SURFACE REMOVAL (BUTT-JOINT)

NOTE: NOTE DRAWN TO SPECIFIC SCALE

BUTT JOINT @ IL 16 / IL 32 INTERSECTION



 HOT-MIX ASPHALT SURFACE REMOVAL (BUTT-JOINT)

NOTE: NOTE DRAWN TO SPECIFIC SCALE

FILE NAME = c:\p\work\p\dot\swartzr\ld0186845\d774	USER NAME = swartzr	DESIGNED -	REVISED -	STATE OF ILLINOIS DEPARTMENT OF TRANSPORTATION	BUTT JOINT DETAILS		F.A.P. RTE. =	SECTION	COUNTY	TOTAL SHEETS	SHEET NO.
	460-shr-details.dgn	DRAWN -	REVISED -				325	9RS-2, 10RS-4	SHELBY	46	39
PLOT SCALE = 28.0000' / IN.	CHECKED -	REVISED -	REVISED -	SCALE: NA	SHEET NO. 2 OF 2 SHEETS	STA. TO STA.	ILLINOIS FED. AID PROJECT				
PLOT DATE = 10/22/2010	DATE -	REVISED -	REVISED -	CONTRACT NO. 74460							