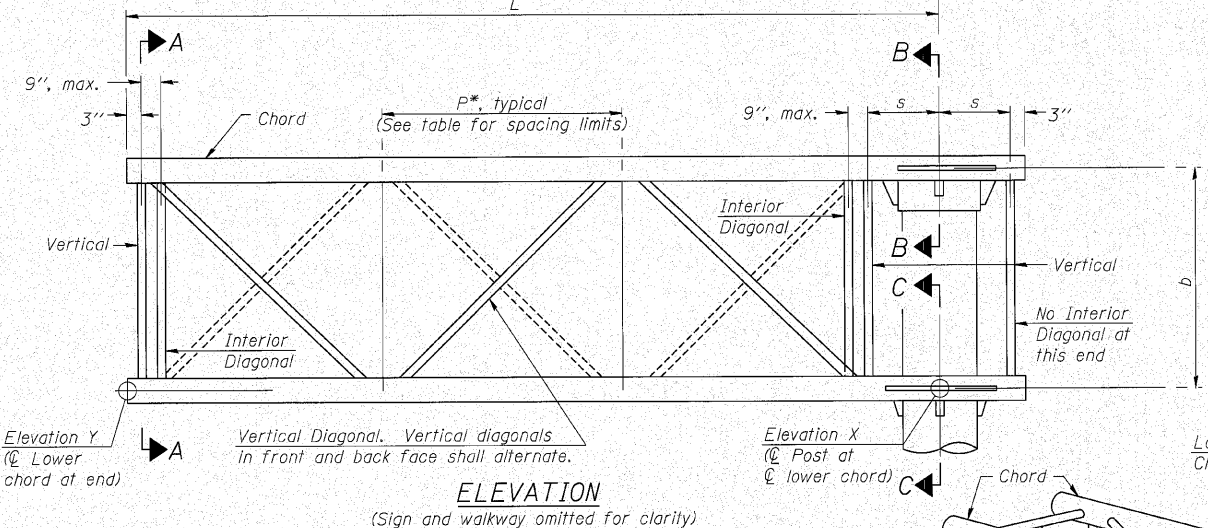
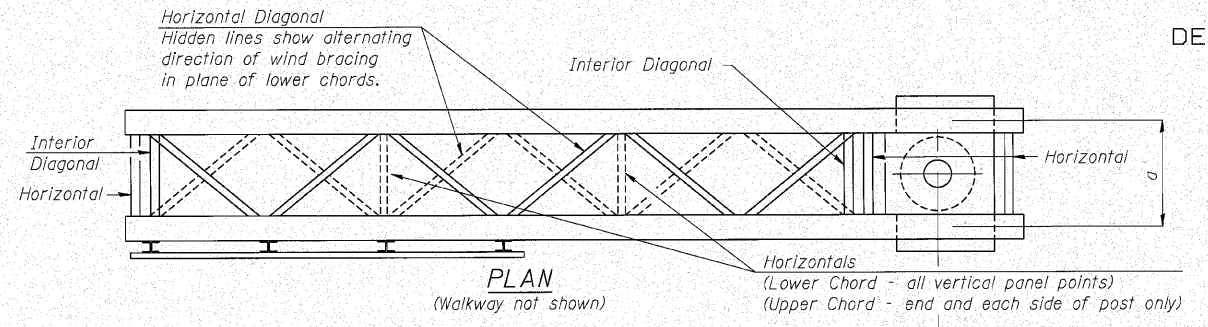
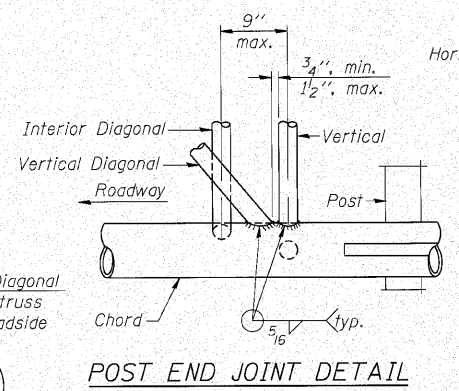
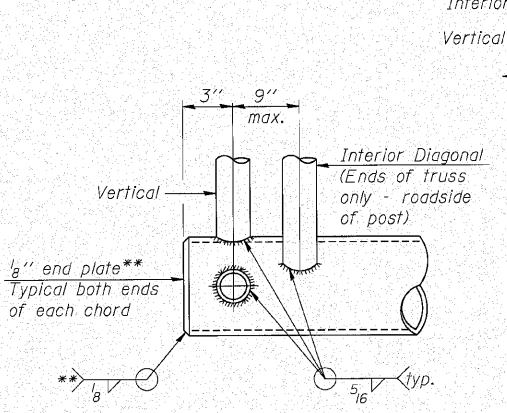


Operator: gjameson
Date: 9/13/2010 10:48:01 AM
Filename: i:\jobs\DOT BBS\7199 BBS Various\199.05\CADD\CADD Sheets\199\76D59-OSC-A_SIGN.dgn

STATE OF ILLINOIS
DEPARTMENT OF TRANSPORTATION



Note: There are twice as many horizontal diagonals as there are vertical diagonals.



SHOP CAMBER TABLE

Unit Length (L)	Shop Camber at End
15'	1 1/2"
16'-17'	1 3/4"
18'-20'	2"
21'-22'	2 1/4"
23'-25'	2 1/2"
26'-27'	2 3/4"
28'-30'	3"
31'-32'	3 1/4"
33'-35'	3 1/2"
36'-37'	4"
38'-40'	4 1/2"

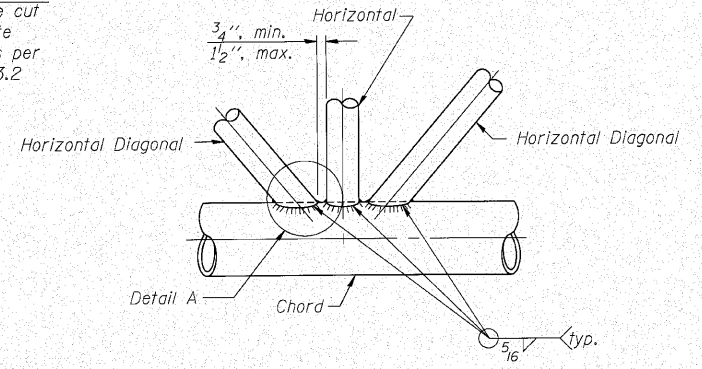
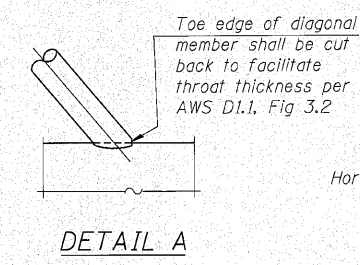
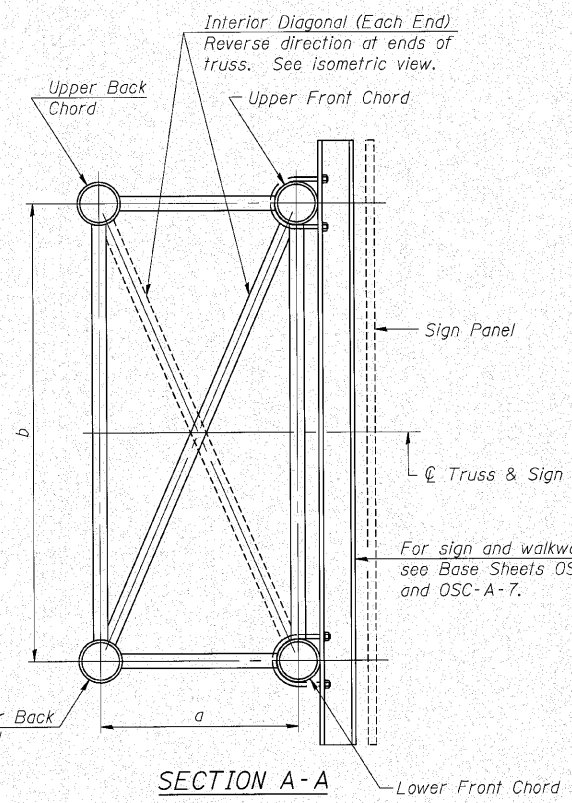
CAMBER DIAGRAM (For Fabrication Only)

Truss Type	Dimension "a"	Dimension "b"	Dimension "s"	Limits for Panel Spacing (P)*	Up. & Low. Chord		Verticals; Horizontals; Vertical, Horizontal, and Interior Diagonals	
					O.D.	Wall	O.D.	Wall
I-C-A	24"	54"	16"	36" min. to 48" max.	5"	5/16"	2 1/2"	5/16"
II-C-A	36"	66"	21"	42" min. to 54" max.	6 1/2"	5/16"	3 1/4"	5/16"
III-C-A (35' Max.)	36"	84"	21"	48" min. to 66" max.	7"	3/8"	3 1/2"	3/8"
III-C-A (>35' to 40')	36"	84"	21"	48" min. to 66" max.	8"	3/8"	3 1/2"	3/8"

TRUSS UNIT TABLE

ASTM B221 Alloy 6061 Temper T6

*P = $\frac{L-s-3''}{\# \text{ Panels}}$



Structure Number	Station	Truss Type	Design Length (L)	Number of Panels Per Unit	Panel Length (P)*
8C082S159L020.4	33+90, 61.3' LT.	II-C-A	30 ft.	7	4'-0"

NUMBER	REVISION	DATE

CANTILEVER SIGN STRUCTURES
TRUSS DETAILS
ALUMINUM TRUSS & STEEL POST

DESIGNED
CHECKED
DRAWN
CHECKED

WHKS & co.
ENGINEERING
7018 KINGSMILL CT.
SPRINGFIELD, IL
(217) 483-9457
DESIGN FIRM #184001036

SHEET NO. 2	F.A.I. RTE. 64	SECTION 82-5K-2	COUNTY ST. CLAIR	TOTAL SHEETS	SHEET NO.
				162	72
11 SHEETS			CONTRACT NO. 76D59		
FED. ROAD DIST. NO.		ILLINOIS	FED. AID PROJECT		