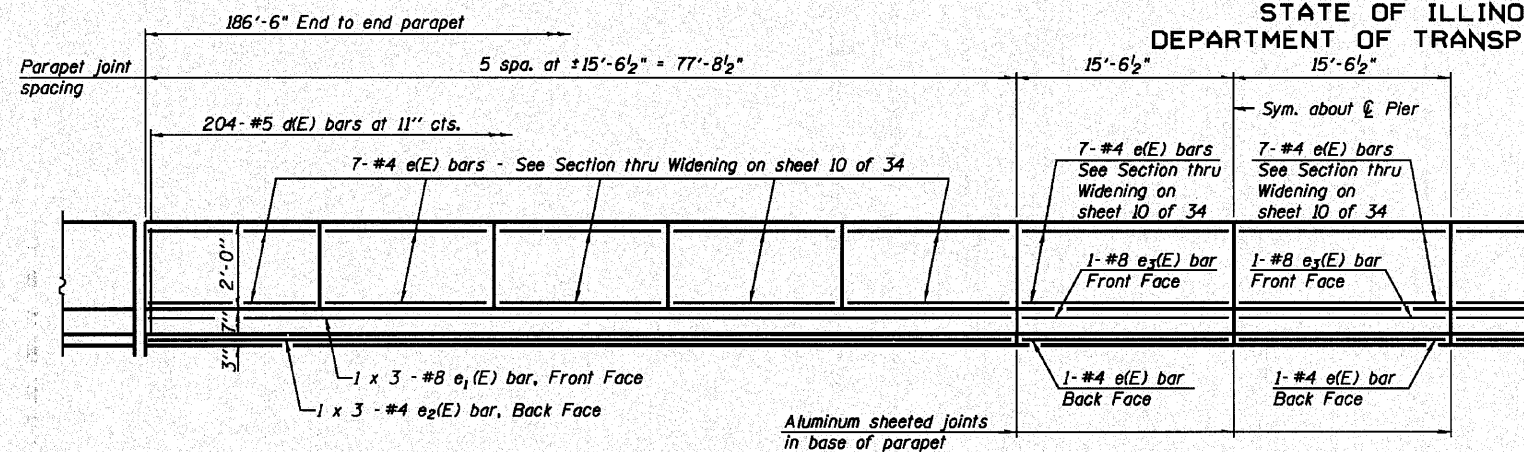
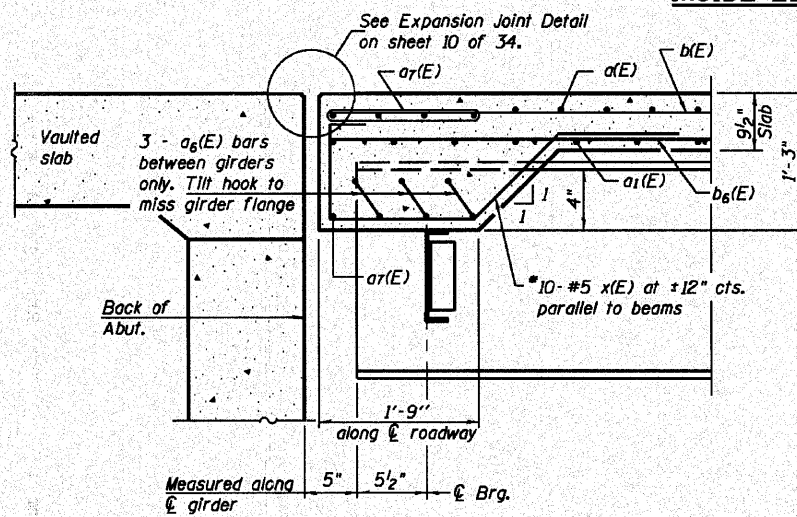


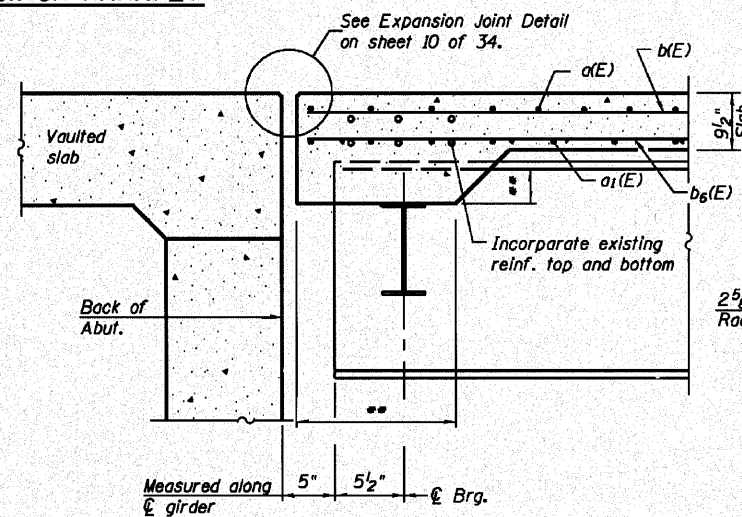
STATE OF ILLINOIS
DEPARTMENT OF TRANSPORTATION



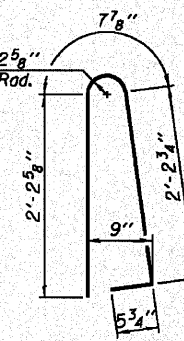
INSIDE ELEVATION OF PARAPET



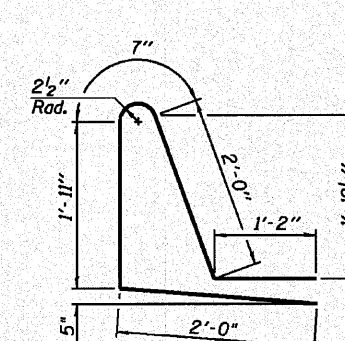
SECTION B-B
(Between Girders 1-1A and 1A-1B)



SECTION D-D
(Between Girders 1-2)

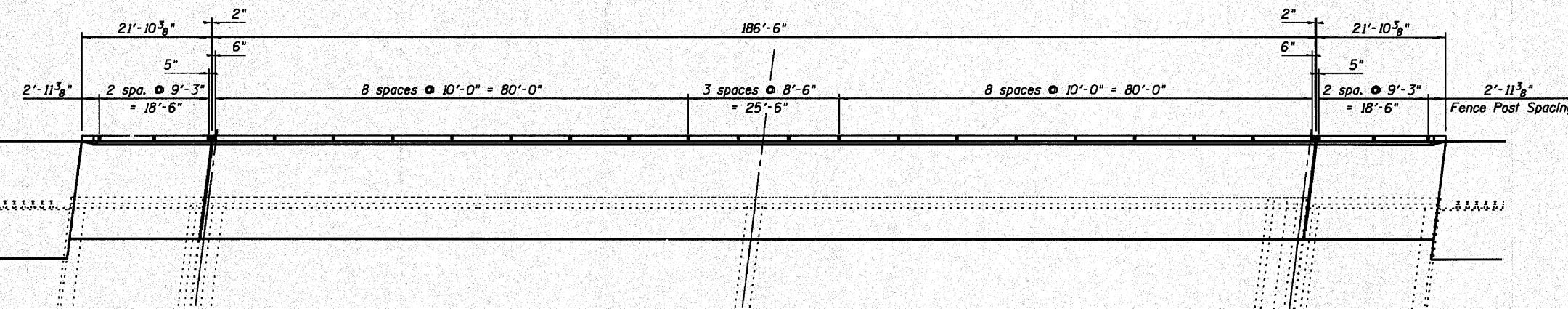


BAR d(E)

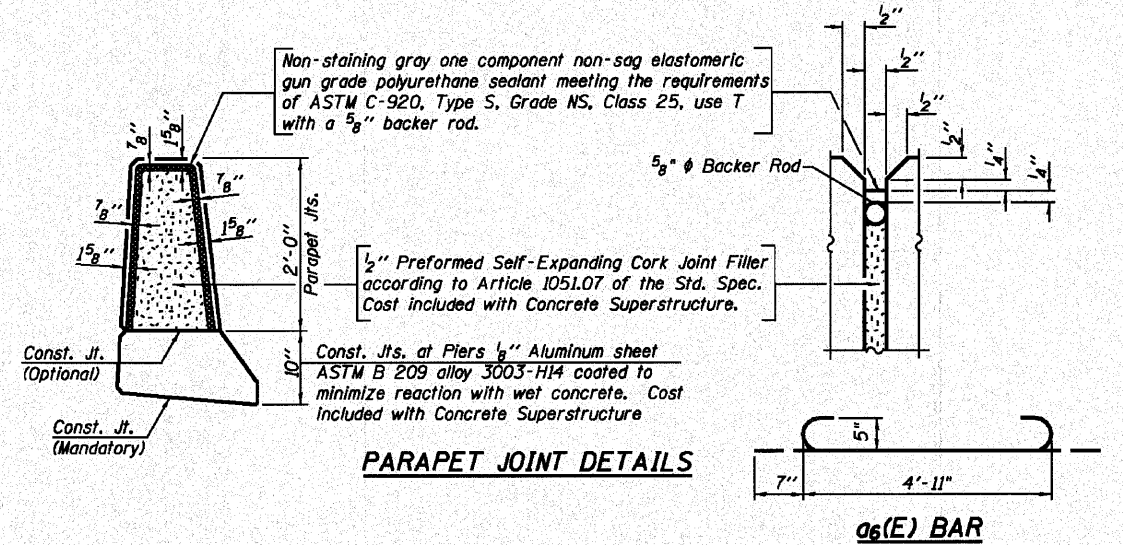


BAR d1(E)

MINIMUM BAR LAP
(Parapet)
#4 bar = 2'-0"
#8 bar = 5'-2"



FENCE POST SPACING PLAN



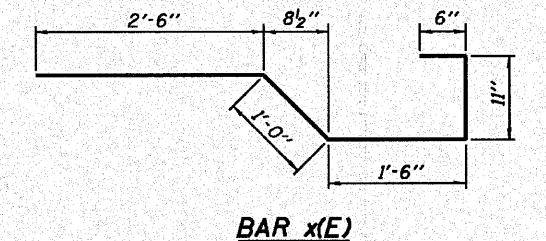
PARAPET JOINT DETAILS

a6(E) BAR

SUPERSTRUCTURE
BILL OF MATERIAL

Bar	No.	Size	Length	Shape
a(E)	412	#5	17'-1"	—
a1(E)	412	#5	16'-9"	—
a2(E)	204	#6	6'-6"	—
a3(E)	411	#5	6'-11"	—
a6(E)	12	#5	5'-1"	—
a7(E)	10	#5	10'-3"	—
b(E)	140	#5	29'-5"	—
b1(E)	54	#6	22'-7"	—
b2(E)	184	#5	26'-2"	—
d(E)	204	#5	5'-7"	—
d1(E)	204	#5	6'-6"	—
e(E)	86	#4	15'-2"	—
e1(E)	6	#8	29'-3"	—
e2(E)	6	#4	27'-2"	—
e3(E)	2	#8	15'-2"	—
x(E)	20	#5	6'-5"	—
Concrete Superstructure		Cu. Yd.	122.9	
Reinforcement Bars, Epoxy Coated		Pound	35,060	
Silicone Joint Sealer, 2"		Foot	17.7	
Silicone Joint Sealer, 1 1/2"		Foot	17.7	

Bars indicated thus 1 x 3-#8 etc. indicates 1 line of bars with 3 lengths per line. See sheet 8 for a5(E) bar detail.



BAR x(E)

SUPERSTRUCTURE DETAILS
STRUCTURE NO. 082-0176

DESIGNED - T.J.Z.
CHECKED - C.W.C.
DRAWN - D.L.H.
CHECKED - C.W.C., S.D.S.

WHKS & Co.
ENGINEERING
7018 KINGSMILL CT.,
SPRINGFIELD, IL
(217) 483-9487
DESIGN FIRM #184001036

SHEET NO. 11 34 SHEETS	F.A. RTE.	SECTION	COUNTY	TOTAL SHEETS	SHEET NO.
	64	82-5K-2	ST. CLAIR	162	94
					CONTRACT NO. 76D59
ILLINOIS FED. AID PROJECT					