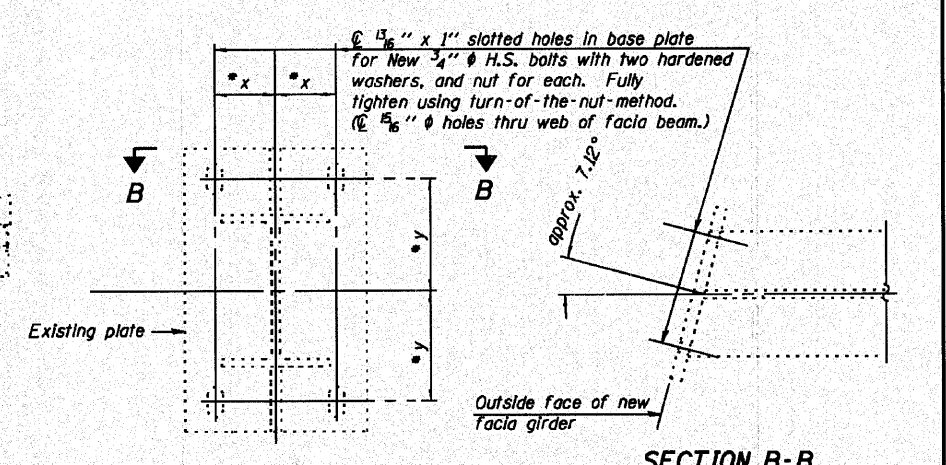
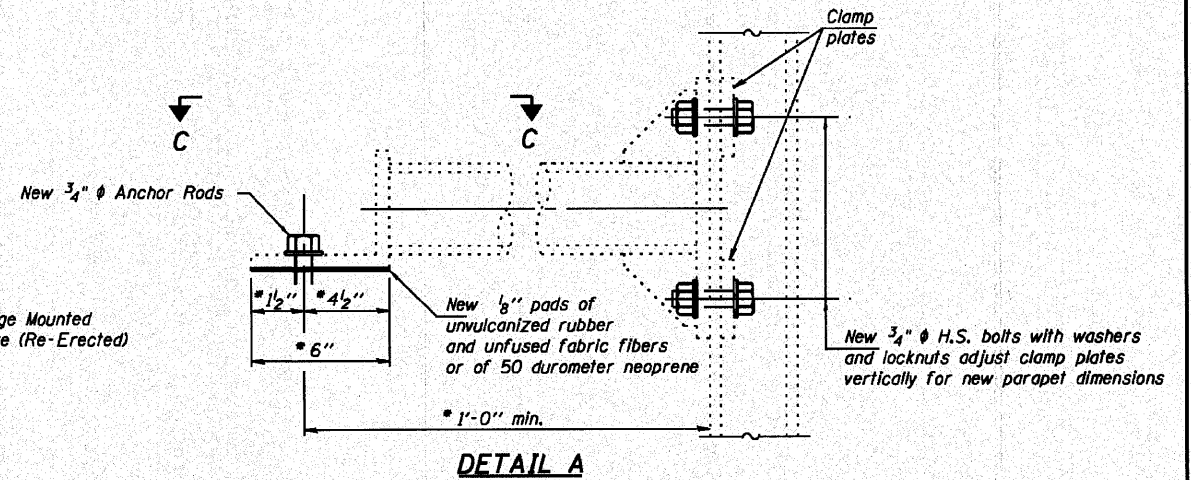
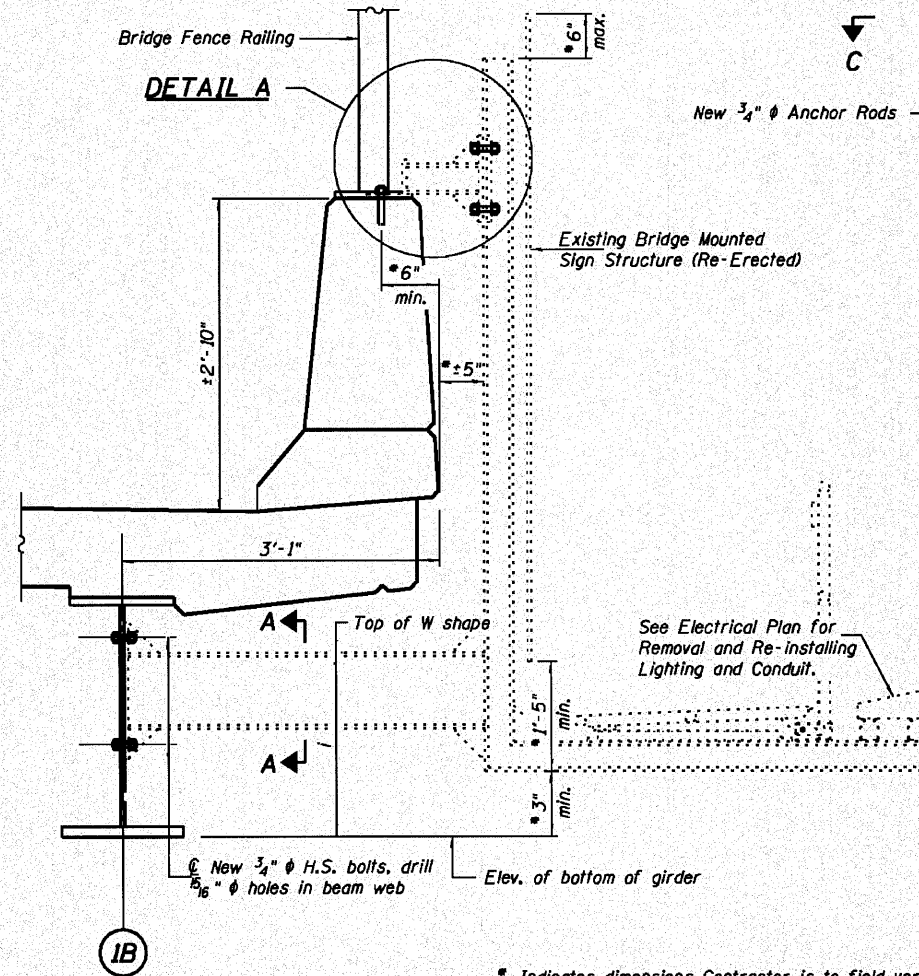
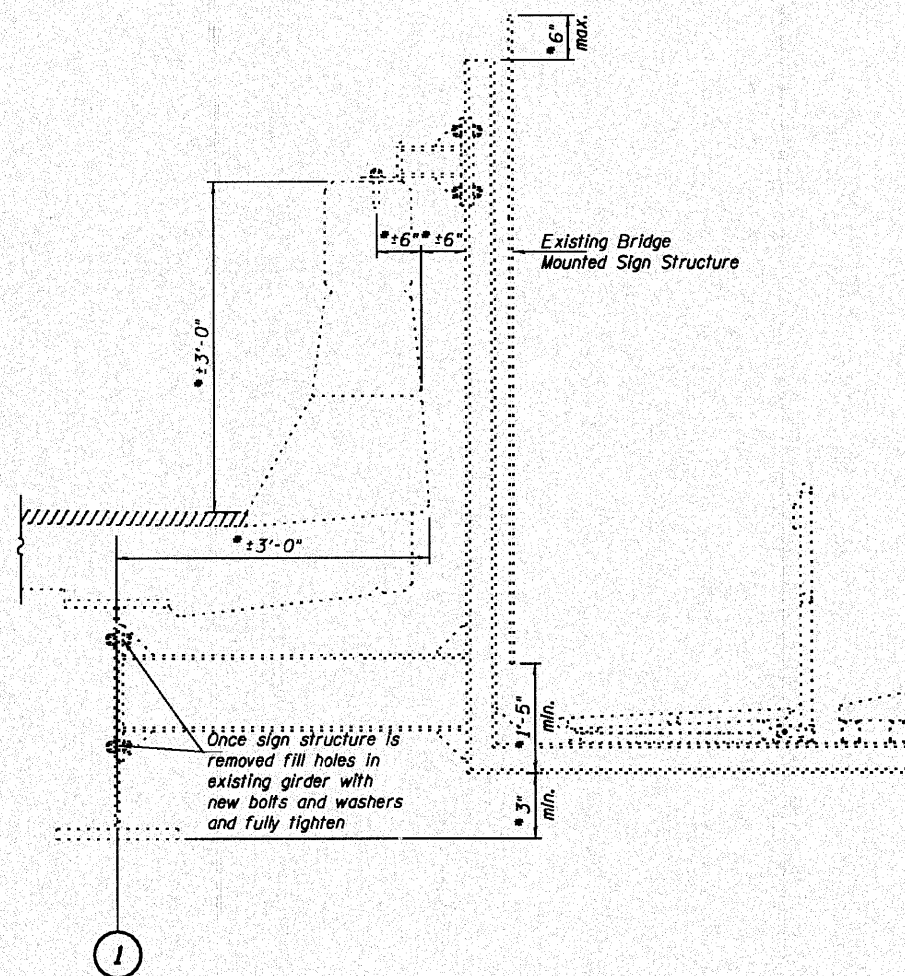
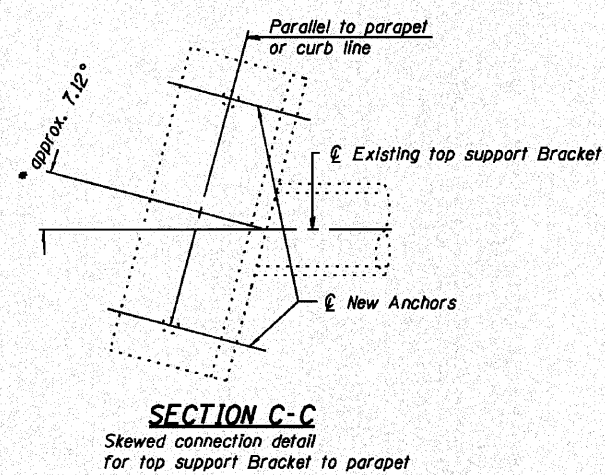


STATE OF ILLINOIS
DEPARTMENT OF TRANSPORTATION



* Indicates dimensions Contractor is to field verify.



Notes:
Contractor shall field check all pertinent existing dimensions prior to removing sign structure.
All holes in bridge beams or girders should be located in the middle half of the member. There shall be no holes drilled in the lower quarter of the member's depth. Proposed exceptions must be approved by the Bureau of Bridges and Structures.
The Engineer may adjust dimension "1" to meet the above condition and to keep the sign level. Sign shall not extend more than 6" above top of bracket, and this dimension may vary to keep sign level if bridge is on grade or vertical curve.
Holes in new steel members may be drilled in the fabrication shop or in the field. Field drill existing members.
Contractor shall coordinate upper bracket installation with bridge fence rail post spacing and installation.
HIGH STRENGTH BOLTS: All bolts, washers, nuts and locknuts shall satisfy the requirements of ASTM designation A307 unless noted as "H.S." which shall require AASHTO M164 (A325), ASTM A449, or approved alternate. All fasteners shall be hot dip galvanized per AASHTO M232 unless otherwise specified.
ANCHOR RODS: All-threaded rod conforming to ASTM A307, 3/4" x 12" long, each with one plate washer and locknut and be hot dip galvanized per AASHTO M232. They shall be either cast into the concrete or epoxy grouted in accordance with Section 5B4 of the Standard Specifications. Minimum embedment in concrete shall be 9".
Material not covered by Special Provision shall be according to Section 733 of Standard Specifications.

DESIGNED - T.J.Z
CHECKED - C.W.C
DRAWN - D.L.H
CHECKED - C.W.C, S.D.S

WHKS & Co.
ENGINEERING
7018 KINGSMILL CT.,
SPRINGFIELD, IL
(217) 483-9457
DESIGN FIRM #184001036

BILL OF MATERIAL

Remove and Re-Erect Bridge Mounted Sign	Each	1
---	------	---

**BRIDGE MOUNTED SIGN STRUCTURE
STRUCTURE NO. 082-0176**

SHEET NO. 15 34 SHEETS	F.A. RTE.	SECTION	COUNTY	TOTAL SHEETS	SHEET NO.
	64	82-5K-2	ST. CLAIR	162	98
CONTRACT NO. 76D59					
ILLINOIS FED. AID PROJECT					