

SUMMARY OF QUANTITIES

INDEX OF SHEETS

- 1 COVER SHEET
- 2 INDEX OF SHEETS, GENERAL NOTES, DETAILS & SUMMARY OF QUANTITIES
- 3 PLAN VIEW
- 4-14 STEEL DOCK PLANS

GENERAL NOTES

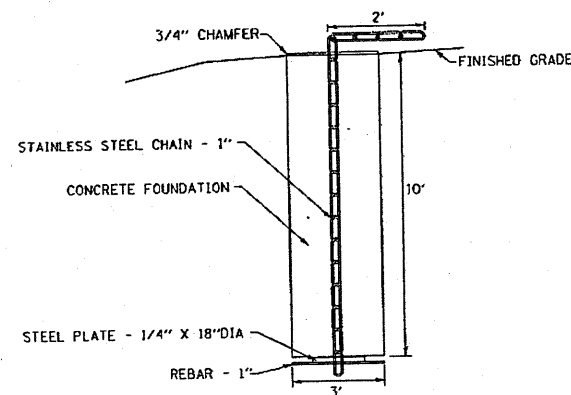
1. REMOVAL ITEMS SHALL NOT BE PLACED ON SITE, BUT SHALL BE DISPOSED OF UPON REMOVAL.
2. ILLINOIS STATE LAW REQUIRES A 48 HOUR NOTICE TO BE GIVEN TO UTILITIES BEFORE DIGGING. FIELD MARKING OF FACILITIES MAY BE OBTAINED BY CONTACTING J.U.L.I.E. OR FOR NON-MEMBERS, THE UTILITY COMPANY DIRECTLY. AGENCIES KNOWN TO HAVE FACILITIES WITHIN THE PROJECT ARE AS FOLLOWS:

UTILITY	BURIED	ABOVE GROUND
* AMEREN - CIPS (ELECTRIC)	X	X
* CALHOUN COUNTY RURAL WATER DISTRICT (WATER)	X	
* FRONTIER NORTH, INC. (COMMUNICATIONS)	X	X
* GRAFTON COMMUNICATIONS, INC. (COMMUNICATIONS)	X	X

(MEMBERS OF J.U.L.I.E. (800) 892-0123 ARE INDICATED BY *.
NON J.U.L.I.E. MEMBERS MUST BE NOTIFIED INDIVIDUALLY.)

3. CONTRACTOR WILL BE RESPONSIBLE FOR SETTING UP TYPE 3 BARRICADES FOR FERRY CLOSURE AT JERSEY AND CALHOUN. FERRY WORKERS WILL BE RESPONSIBLE FOR CHANGING FERRY BOARD SIGNS THROUGHOUT COUNTIES FOR FERRY CLOSURE.
4. MESSAGE BOARDS WILL BE USED FOR FERRY CLOSURE. THE LOCATION OF THE MESSAGE BOARDS WILL BE DETERMINED BY THE ENGINEER.

MOORING DETAIL



SUMMARY OF QUANTITIES			100% STATE TOTAL QUANTITIES	CONSTRUCTION TYPE CODE		
CODE NO	ITEM	UNIT		JERSEY COUNTY 0044	CALYHOUN COUNTY 0044	-----
28100705	STONE DUMPED RIPRAP, CLASS A3	SO YD	287	287		
59300100	CONTROLLED LOW-STRENGTH MATERIAL	CU YD	24	24		
67100100	MOBILIZATION	L SUM	1	1		
70106800	CHANGEABLE MESSAGE SIGN	CAL MO	3	2	1	
X0327107	STEEL DOCKS	EACH	2	1	1	
X0323265	REMOVE EXISTING RIPRAP	SO YD	287	287		
X0327108	RELOCATE FERRY DOCKS	EACH	1	1		
X0327109	REMOVE FERRY DOCKS	EACH	3	1	2	
X0327110	MOORINGS	EACH	3	3		

FILE NAME =	USER NAME = burnside	DESIGNED -	REVISED -	STATE OF ILLINOIS DEPARTMENT OF TRANSPORTATION	SUMMARY OF QUANTITIES			F.A.P. RTE. 304	SECTION 21-4	COUNTY JERSEY/CALHOUN	TOTAL SHEETS 14	SHEET NO. 2
et:\pwork\p\p\dot\burnside\08232638\076e55-shr-plan.dgn	PLOT SCALE = 1/8" = 1' / IN.	DRAWN -	REVISED -		SCALE: -----	SHEET NO. ___ OF ___ SHEETS	STA. ----- TO STA. -----	FED. ROAD DIST. NO. - [ILLINOIS] FED. AID PROJECT				
	PLOT DATE = 11/16/2010	CHECKED -	REVISED -		CONTRACT NO. 76E55							
		DATE -	REVISED -									