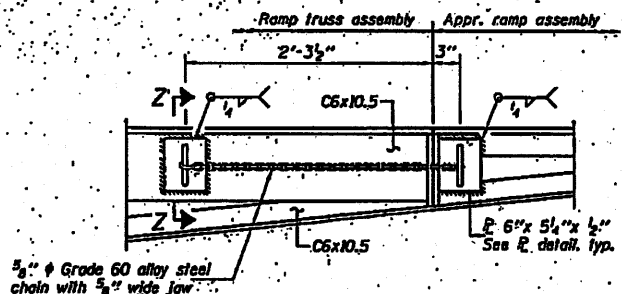
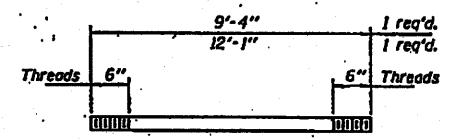


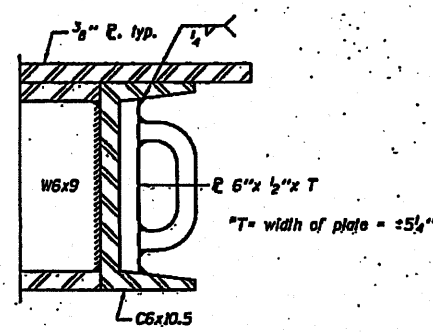
TIE DETAIL
(1 location)



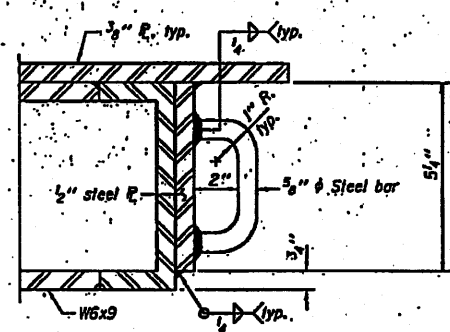
TIE DETAIL
(1 location)



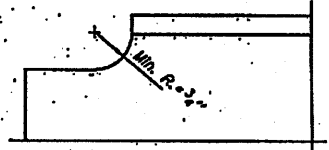
1" ϕ THREADED CONNECTION ROD
ASTM A 307 with hex nuts, washers & collar pin



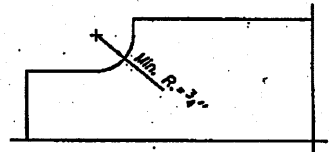
SECTION W-W
See Section B-B for dimensions
*Grind width of plate to fit inside C6x10.5



SECTION Z-Z



COPING DETAIL
FOR DIAPHRAGMS D, D₁, & D₂
Do not gouge web when cutting flange.



COPING DETAIL
FOR W6X15
Do not gouge web when cutting flange.

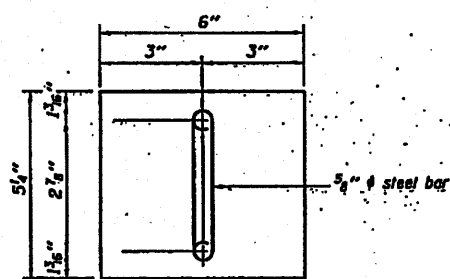


PLATE DETAIL AT SECTION W-W
3/8" plate (if required)

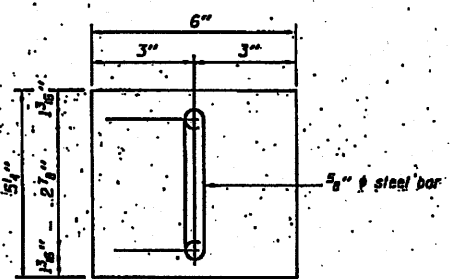


PLATE DETAIL AT SECTION Z-Z
3/8" plate (Plates are typ. of approach ramp assembly) (3 required)

DESIGNED - RAY AMARCHI	EXAMINED - <i>Thomas J. D'Amico</i>	DATE -
CHECKED - CURT M. EVOY	DESIGNED BY BRIDGE DESIGN	
DRAWN - H.T. QUINN	PASSED - <i>Robert W. Adams</i>	
CHECKED - C.A.A. / C.M.E.	ENGINEER OF BRIDGES AND STRUCTURES	

STATE OF ILLINOIS
DEPARTMENT OF TRANSPORTATION

HINGE & TIE DETAILS
(BRUSSELS FERRY)
SHEET NO. 11 OF 11 SHEETS

SECTION	COUNTY	TOTAL SHEETS
21-4	JERSEY	11
CONTRACT NO. 76E55		
ILLINOIS FED. AID PROJECT		