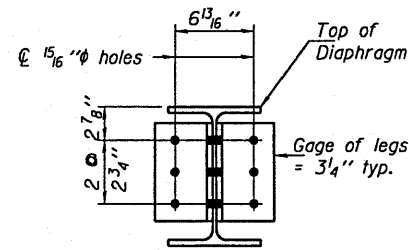


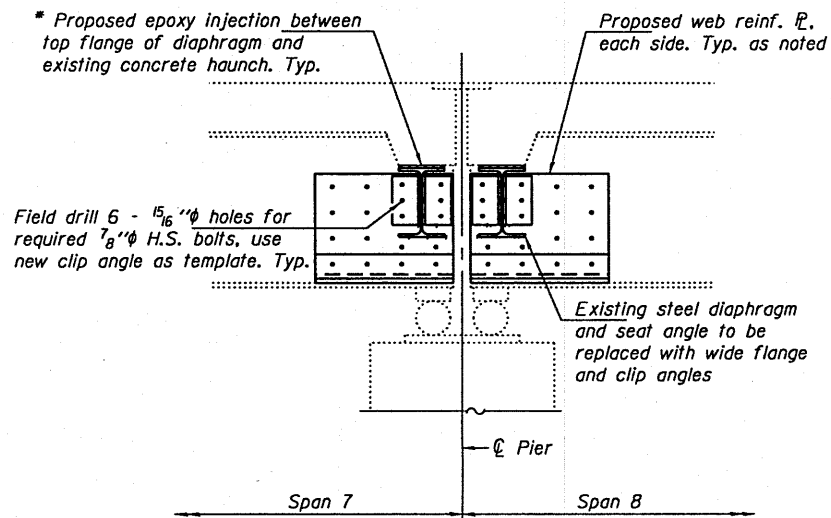
**STEEL DIAPHRAGM REPLACEMENT AT PIER 7**

At Spans 7 & 8 Ends  
(Looking East)



**CLIP ANGLE  
BOLT HOLE LOCATIONS**

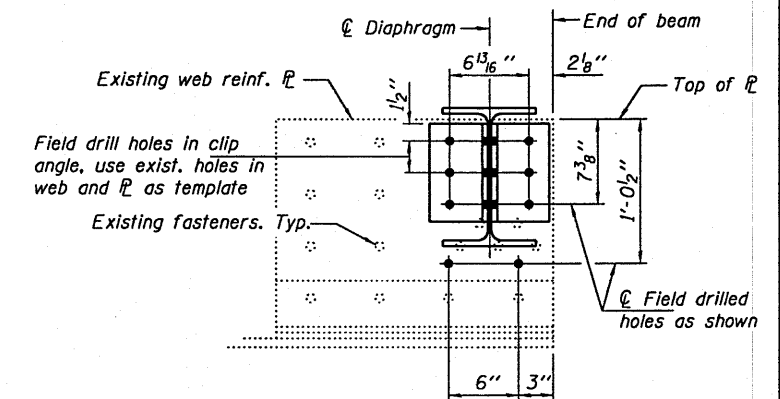
Beam Line Nos. 1-3 and 5-7



**SECTION AT PIER 7**

Looking North, Beam Line Nos. 1-3 and 5-7

\* Install proposed diaphragm up against existing concrete haunch



**PROPOSED FIELD  
BOLT HOLE LOCATIONS**

Beam Line No. 4

Notes:  
Epoxy injection for steel diaphragm shall be included with Structural Steel Repair.  
See sheet 4 of 6 for Beam End Repair Details at Pier 7.

**IL 161 OVER CROOKED CREEK**

DESIGNED GGE	EXAMINED
CHECKED VHV	PASSED
DRAWN baliva	
CHECKED GGE VHV	

 ENGINEER OF STRUCTURAL SERVICES  ENGINEER OF BRIDGES AND STRUCTURES	DATE NOVEMBER 22, 2010
---	------------------------

STATE OF ILLINOIS  
DEPARTMENT OF TRANSPORTATION

REPAIR DETAILS  
SN 014-0025

F.A. RTE.	SECTION	COUNTY	TOTAL SHEETS	SHEET NO.
805	7BR-2	CLINTON	8	6
CONTRACT NO. 76E66			ILLINOIS FED. AID PROJECT	

SHEET NO. 6 OF 6 SHEETS