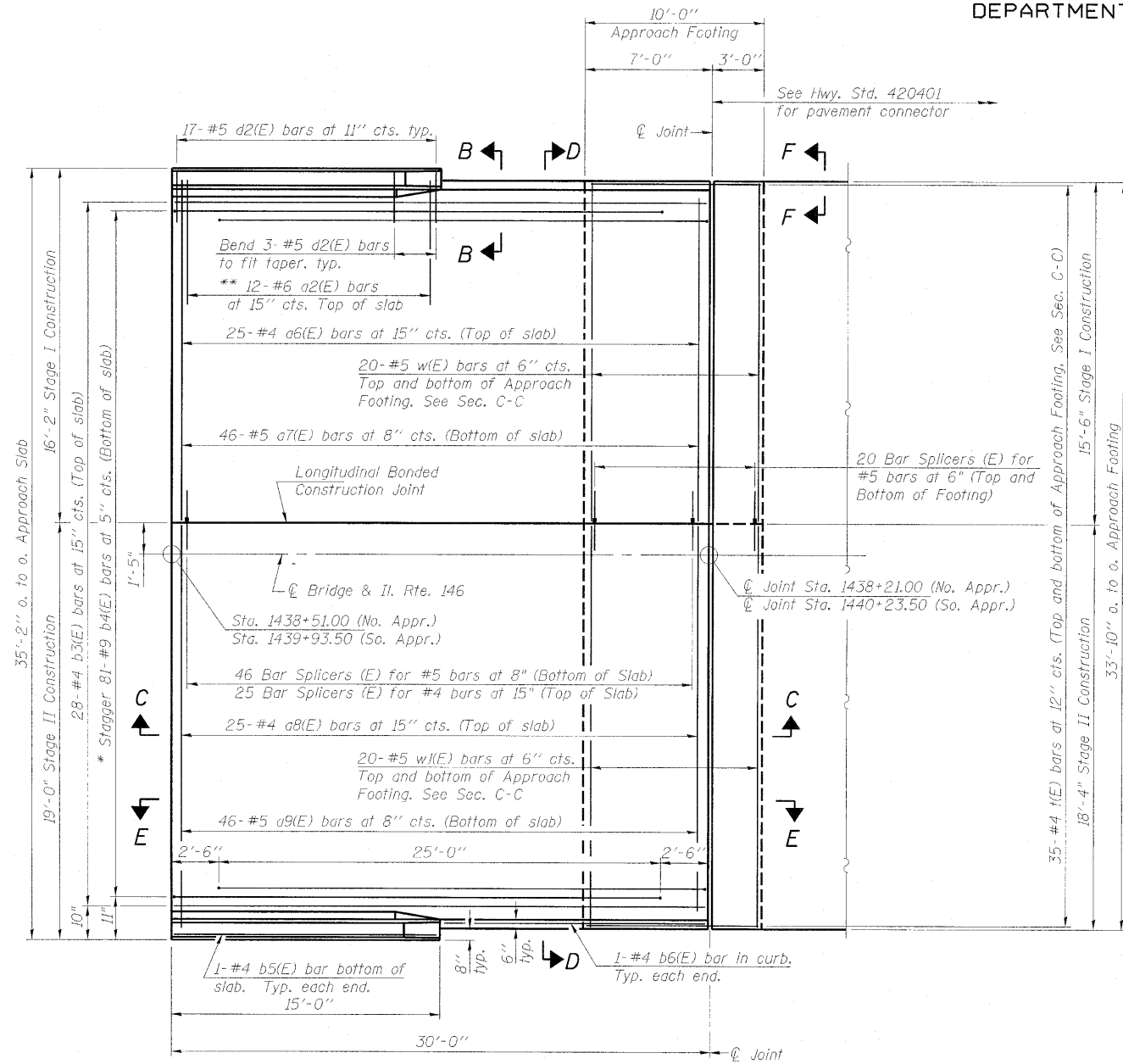


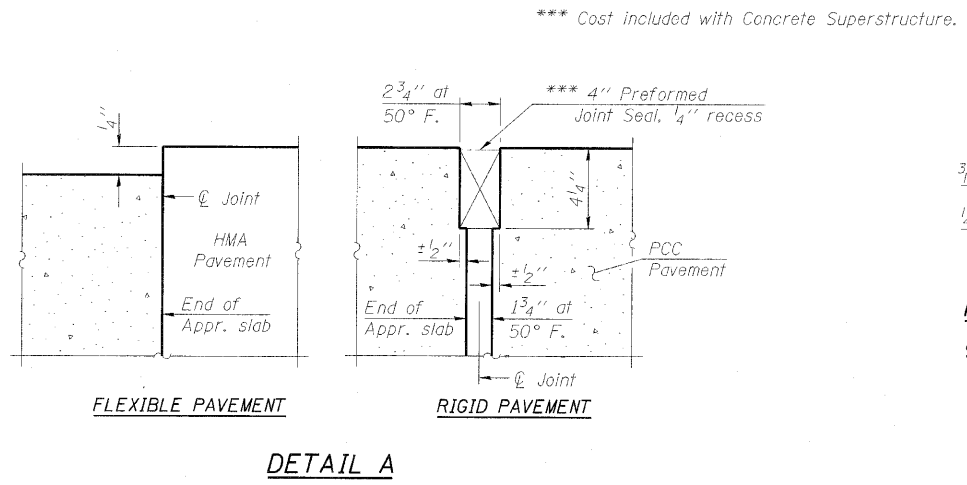
STATE OF ILLINOIS
DEPARTMENT OF TRANSPORTATION

Notes:
See sheet 16 of 29 for Sections C-C & D-D and View E-E.
a6(E), a7(E), a8(E) and a9(E) bar spacings measured along ϕ Rdwy.

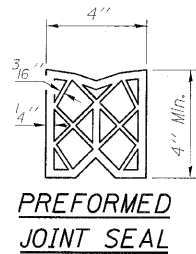


PLAN
(South Appr. Shown)
(North Appr. Opposite Hand)

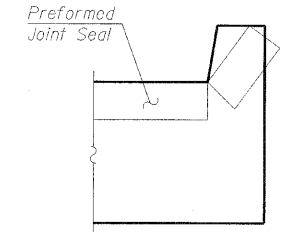
* Tilt #9 b4(E) bars as required to maintain clearance.
** Space between a6(E) or a8(E) bars, typ. ea. parapet.



DETAIL A

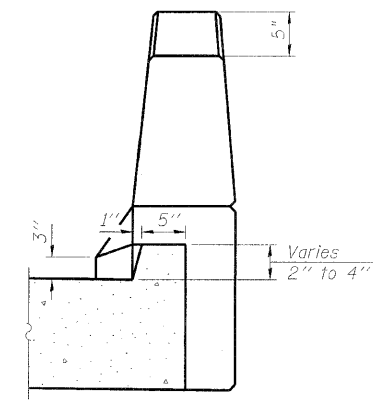


PREFORMED JOINT SEAL



VIEW F-F

Angle Preformed Joint Seal at 45° at curbs when req'd for drainage.



VIEW B-B

BRIDGE APPROACH SLAB DETAILS
(Sheet 1 of 2)
STRUCTURE NO. 076-0029

PROFESSIONAL DESIGN FIRM LICENSE #184-001084 © Copyright Hanson Professional Services Inc. 2010		JOB NO. 08H0131	SHEET NO. 15	F.A.P. RTE. 885	SECTION 6B-2	COUNTY Pope	TOTAL SHEETS 48	SHEET NO. 34
DATE 05/21/10		29 SHEETS		CONTRACT NO. 78141		ILLINOIS FED. AID PROJECT		

