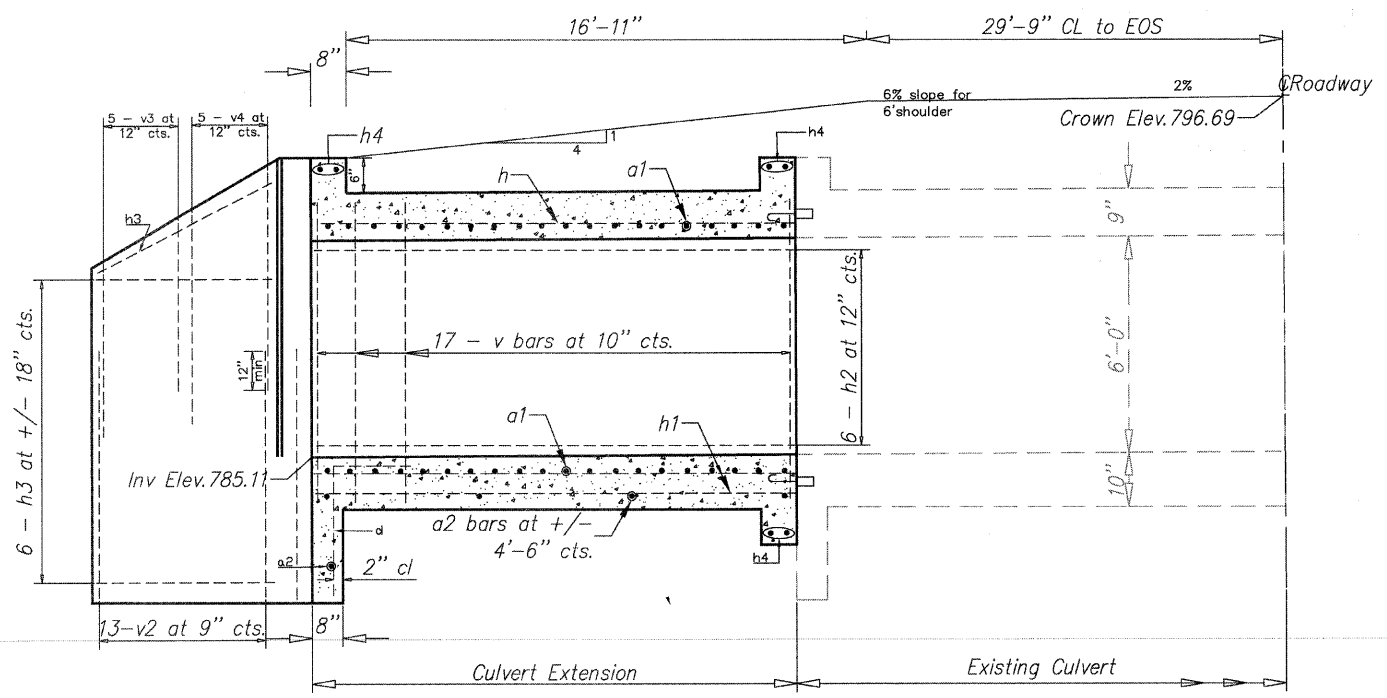
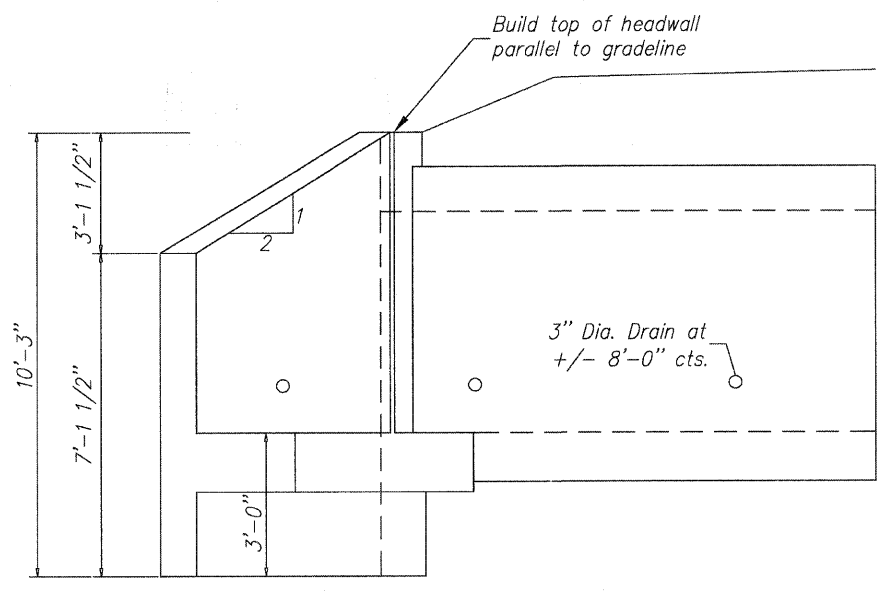




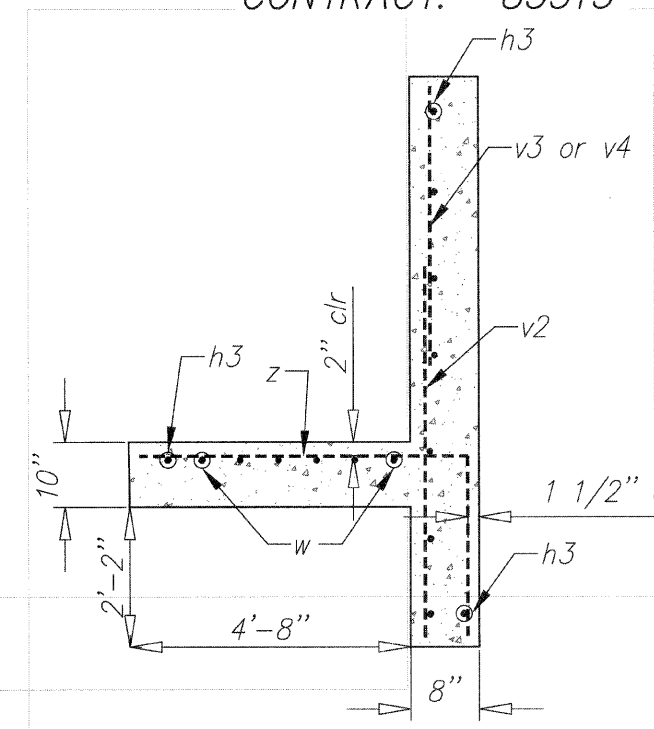
CONTRACT: 85513



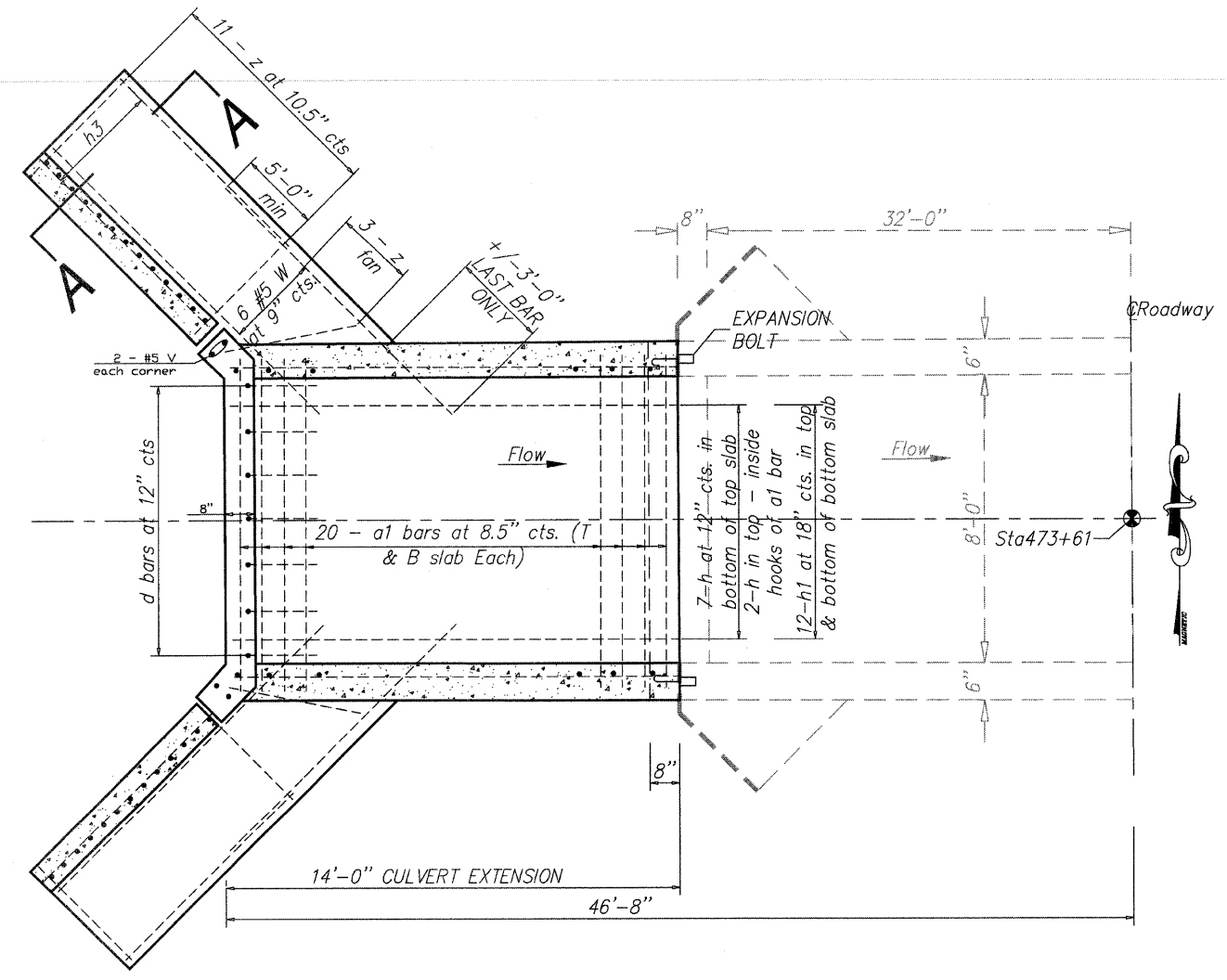
LONG. SECTION



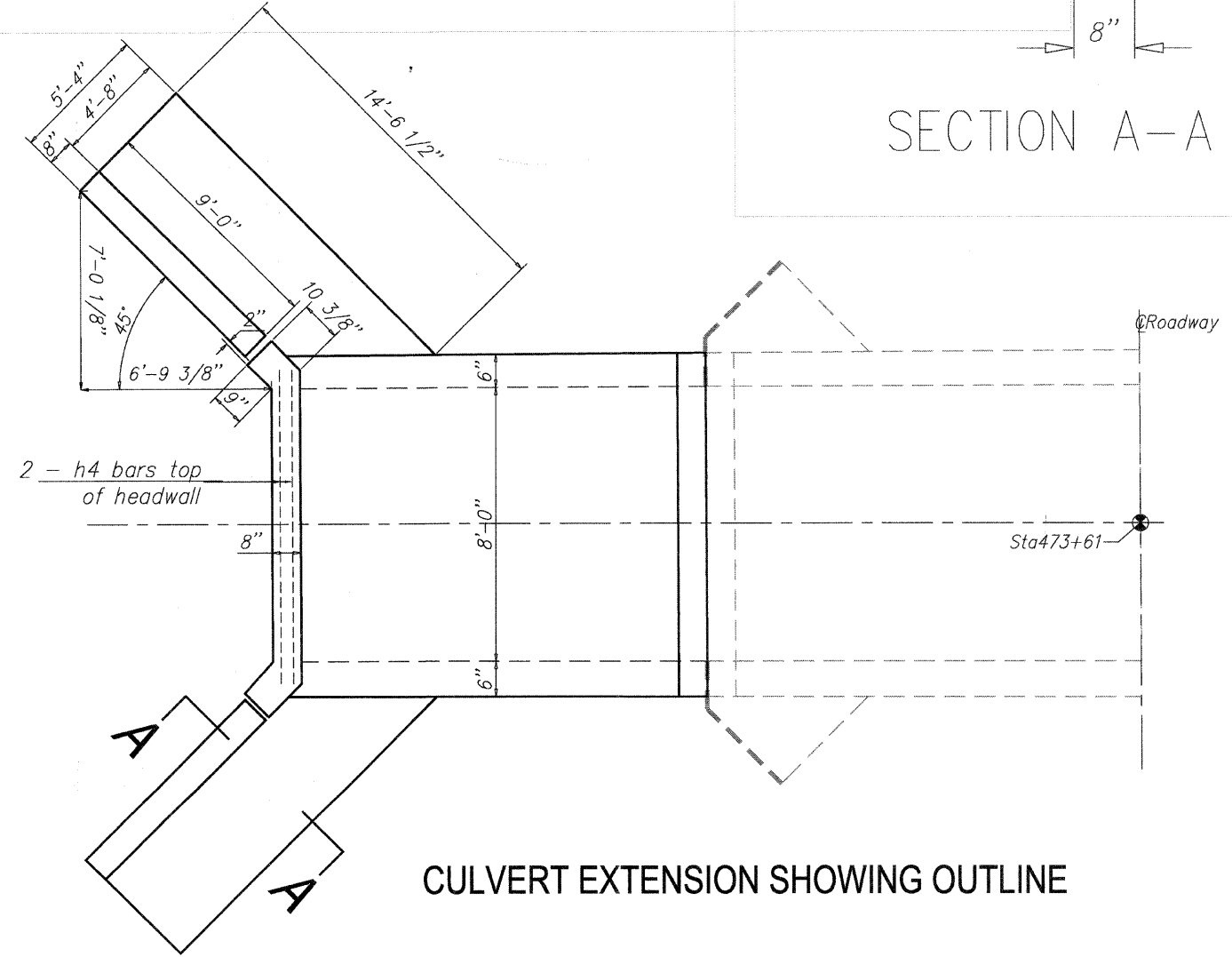
ELEVATION



SECTION A-A



CULVERT EXTENSION SHOWING REINFORCEMENT



CULVERT EXTENSION SHOWING OUTLINE