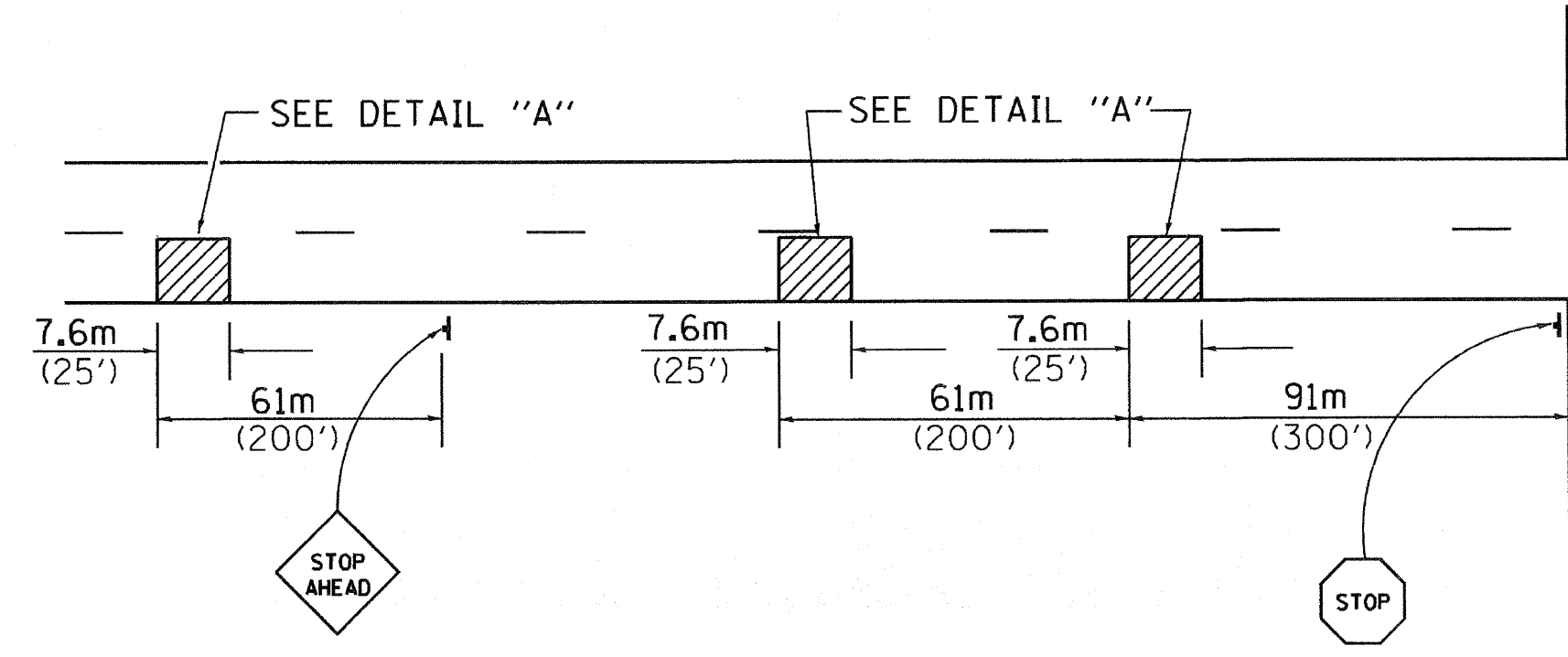
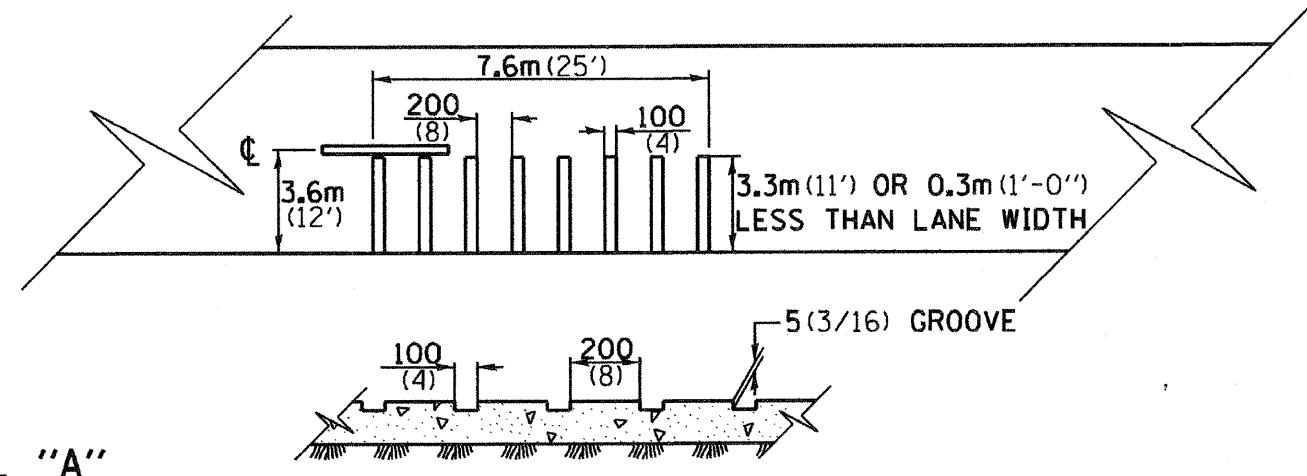


RUMBLE RESURFACING



GROOVED



DETAIL "A"

ALL DIMENSIONS ARE IN MILLIMETERS (INCHES) UNLESS OTHERWISE NOTED.

| | | | | | | | | | |
|-------------------|---------------------------------------|--|--|--|----------------------|-----------|-----------|--------------|---------------------|
| REVISED - 3-22-10 | REGION 2 / DISTRICT 2 STANDARD | | | | F.A. RTE. | SECTION | COUNTY | TOTAL SHEETS | SHEET NO. |
| REVISED - | | | | | | | | | |
| REVISED - | | | | | CONTRACT NO. | | | | |
| REVISED - | | | | | SCALE: 1.0000' / IN. | SHEET NO. | OF SHEETS | STA. TO STA. | FED. ROAD DIST. NO. |