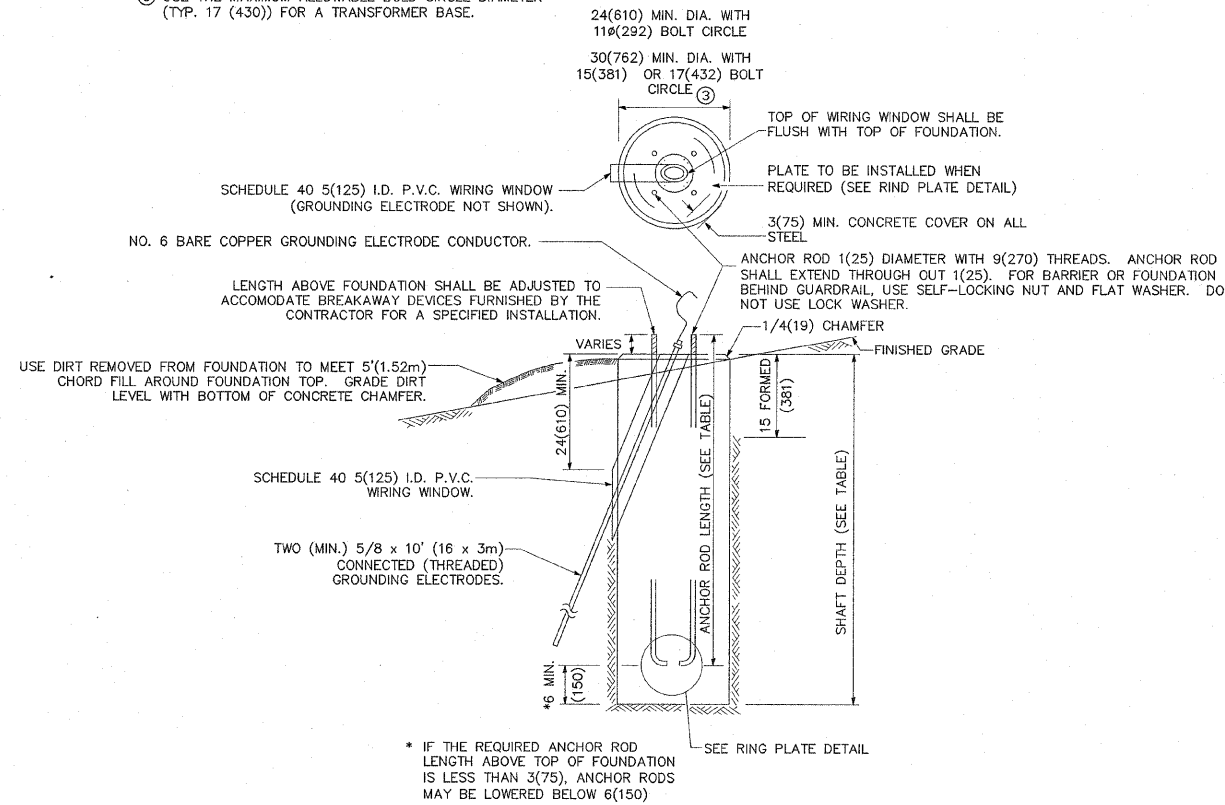


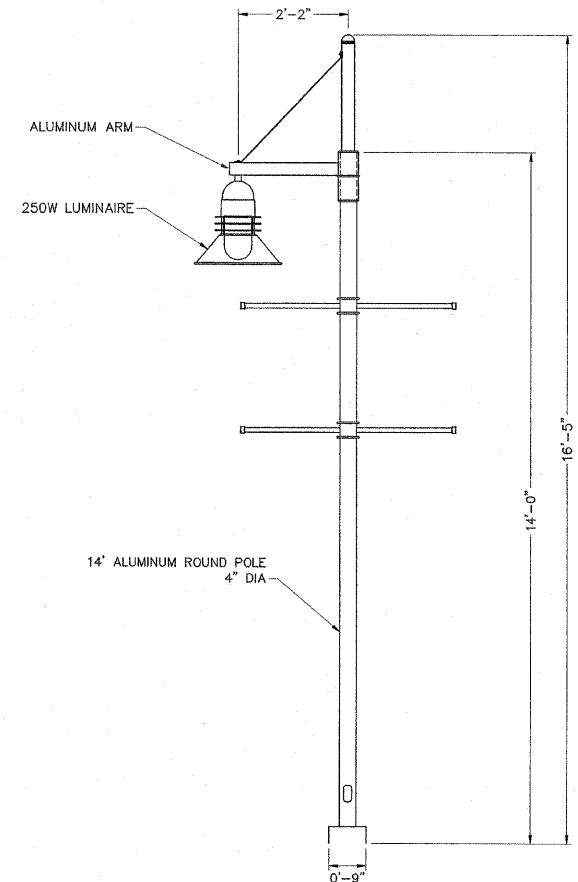
1 ENCLOSURE DETAIL
SCALE: NONE

| LIGHT POLE MOUNTING HEIGHT | METAL FOUNDATION | | | | CONCRETE FOUNDATION | | | |
|----------------------------|----------------------|----------------|---------------|----------------------------------|---------------------|----------------|----------------------|--|
| | BOLT CIRCLE DIAMETER | SHAFT DIAMETER | SHAFT DEPTH | TOP PLATE (min) | SHAFT DIAMETER | SHAFT DEPTH | ANCHOR ROD LENGTH(1) | |
| 30' (9.1 m) | 11ø (292) | 8 5/8 (220) | 6' (1.83 m) | 12 x 12 x 1 (300 x 300 x 25) | 24 (610) | 5'-0" (1.52 m) | 4'-9" (1.45 m) | |
| 31'-35' (9.4 m - 10.7 m) | 11ø (292) | 8 5/8 (220) | 6' (1.83 m) | 12 x 12 x 1 (300 x 300 x 25) | 24 (610) | 5'-6" (1.67 m) | 5'-3" (1.60 m) | |
| 36'-40' (10.9 m - 12.2 m) | 15 (381) ③ | 8 5/8 (220) | 6' (1.83 m) ② | 15 x 15 x 1 1/2 (375 x 375 x 31) | 30 (762) | 6'-0" (1.83 m) | 5'-9" (1.75 m) | |
| 41'-45' (12.5 m - 13.7 m) | 15 (381) ③ | 8 5/8 (220) | 6' (1.83 m) ② | 15 x 15 x 1 1/2 (375 x 375 x 31) | 30 (762) | 6'-6" (1.98 m) | 6'-3" (1.90 m) | |
| 46'-50' (14.0 m - 15.2 m) | 15 (381) ③ | 8 5/8 (220) | 8' (2.44 m) | 15 x 15 x 1 1/2 (375 x 375 x 31) | 30 (762) | 7'-0" (2.13 m) | 6'-9" (2.00 m) | |

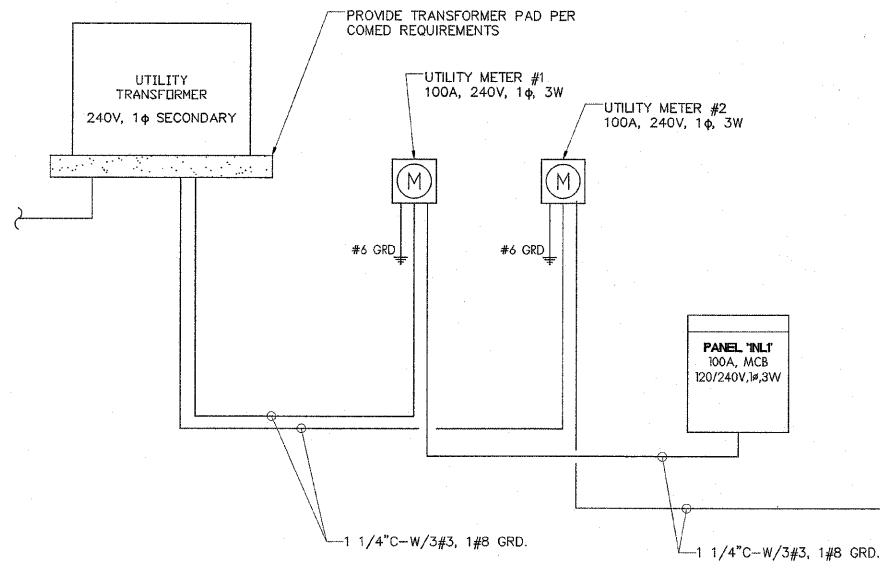
- ① LENGTH DOES NOT INCLUDE 4(100) HOOK.
- ② 8 3/8 x 8'-0" (220x2.44m) FOR TWIN LUMINAIRES.
- ③ USE THE MAXIMUM ALLOWABLE BOLT CIRCLE DIAMETER (TYP. 17 (430)) FOR A TRANSFORMER BASE.



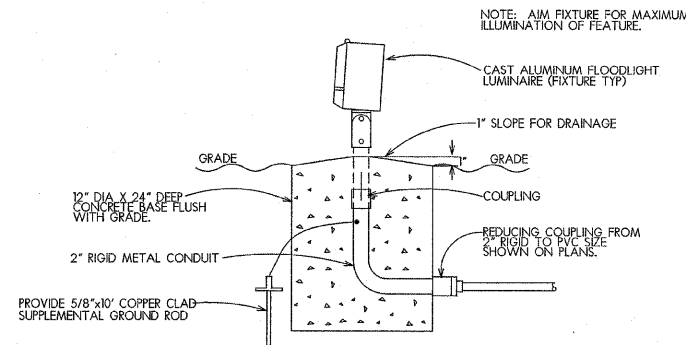
3 CONCRETE FOUNDATION
SCALE: NONE



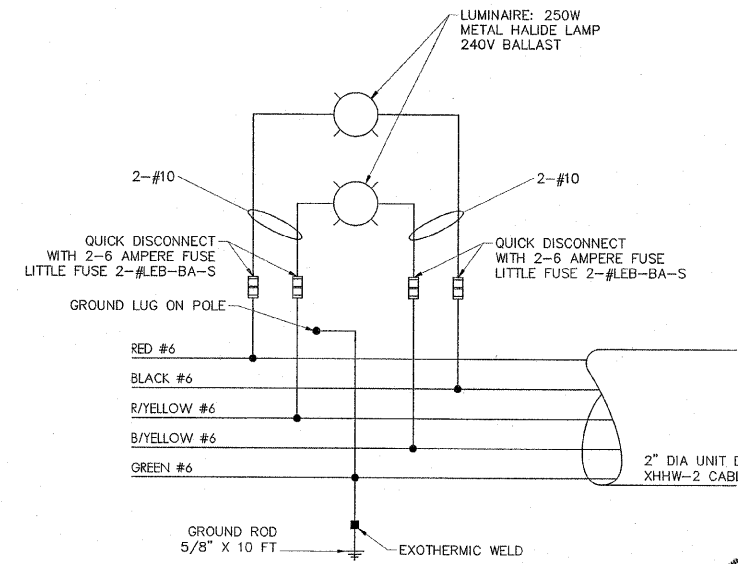
5 POLE DETAIL
SCALE: NONE



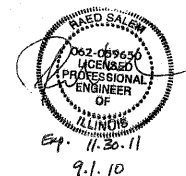
2 ONE-LINE DIAGRAM
SCALE: NONE



4 LIGHT FIXTURE FOUNDATION - SPECIAL
SCALE: NONE



6 POLE WIRING DETAIL
SCALE: NONE



| SHEET REVIEW | |
|--------------|------|
| AGENCY | DATE |
| | |
| | |
| | |

| REVISIONS | | |
|-----------|------|------|
| NO. | ITEM | DATE |
| | | |
| | | |
| | | |

| | |
|-------------|-----------|
| SCALE: | NA |
| DRAWN BY: | MS |
| CHECKED BY: | JWH |
| DATE: | 4/16/2010 |

McClure
Engineering Associates, Inc.
7282 Argus Drive
Rockford, Illinois 61107-5877
(815) 398-2332 Fax (815) 398-2491
Design Firm License: Illinois 184-000816
Copyright 2010 By McClure Engineering Associates, Inc.

ELECTRICAL DETAILS
RIVERWALK MUSEUM CAMPUS
771 NORTH MAIN STREET
ROCKFORD, IL
FILE: P:\20020 MCCLURE - ROCKFORD RIVERWALK\DWG\ELEC\20020 ES.1.DWG
JOB: 04-28-10-008