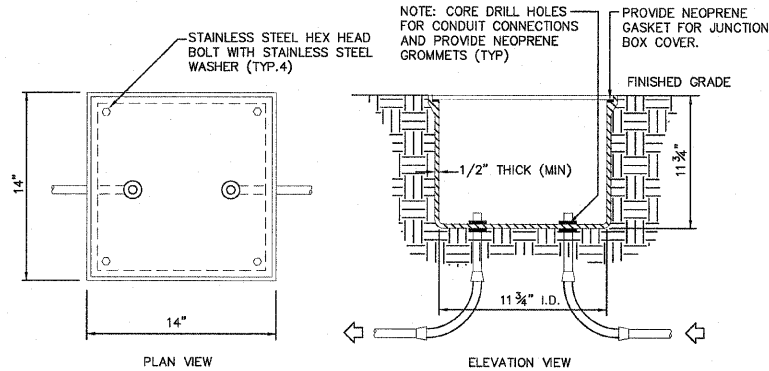


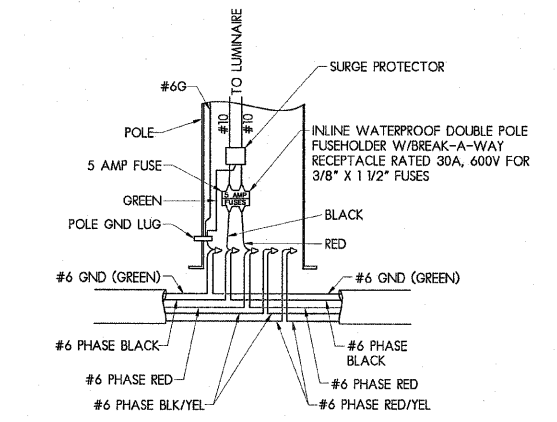
Panel 1NL1		Project Number: 20020		
Voltage: 120/240V, 1PH, 3W		Mounting: Exterior		
Mains: 100A MCB		Min. AIC: 10 K		
C	BRKR	PH. A LOAD (VA)	PH. B LOAD (VA)	BRKR. K (A/P)
1	20	1180	1180	20
POLE LIGHTS (TYPE C)				
3	2	1180	1000	20
BRIDGE HAND RAILS				
5	20	1180	1623	20
POLE LIGHTS				
7	2	1180	1623	20
INGRADE UPLIGHTS				
9	30	2380	540	20
BRIDGE ACCENT UPLIGHTS				
11	2	540	2380	20
POLE RECEPTACLES				
13	20	885	180	20
BRIDGE ACCENT LTS.				
15	2	885		20
SPARE				
17	20	180		20
LED LIGHTS				
19	20			20
SPARE				
21	20			20
SPARE				
23	20			20
SPARE				
25	20			20
SPARE				
27	20			20
SPARE				
29	20			20
SPARE				
31				20
SPACE				
33				20
SPACE				
35				20
SPACE				
37				20
SPACE				
39				20
SPACE				
41				20
SPACE				
Connected Load Phase A:		8.96 KVA		
Connected Load Phase B:		8.23 KVA		
Max Connected Amps:			74.65	

Panel 1NL2		Project Number: 20020		
Voltage: 120/240V, 1PH, 3W		Mounting: Exterior		
Mains: 100A MCB		Min. AIC: 10 K		
C	BRKR	PH. A LOAD (VA)	PH. B LOAD (VA)	BRKR. K (A/P)
1	20	360	360	20
AUD. RECEPTACLE				
3	20	360	360	20
AUD. RECEPTACLE				
5	20	360	360	20
AUD. RECEPTACLE				
7	20	360	360	20
IRRIGATION RECEPTACLE				
9	20	360	360	20
IRRIGATION				
11	20			20
SPARE				
13	20			20
IRRIGATION				
15	20			20
IRRIGATION				
17	20			20
IRRIGATION				
19	20			20
IRRIGATION				
21	20			20
SPARE				
23	20			20
SPARE				
25	20			20
SPARE				
27	20			20
SPARE				
29	20			20
SPARE				
31				20
SPACE				
33				20
SPACE				
35				20
SPACE				
37				20
SPACE				
39				20
SPACE				
41				20
SPACE				
Connected Load Phase A:		1.44 KVA		
Connected Load Phase B:		1.08 KVA		
Max Connected Amps:			12	

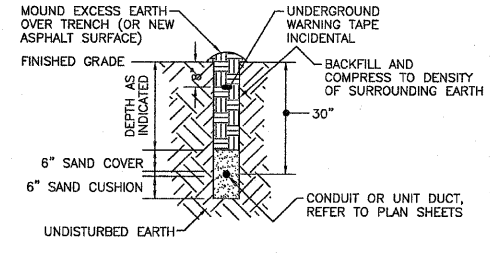


POLYMER CONCRETE JUNCTION BOX

1 HAND HOLE DETAIL SCALE: NONE



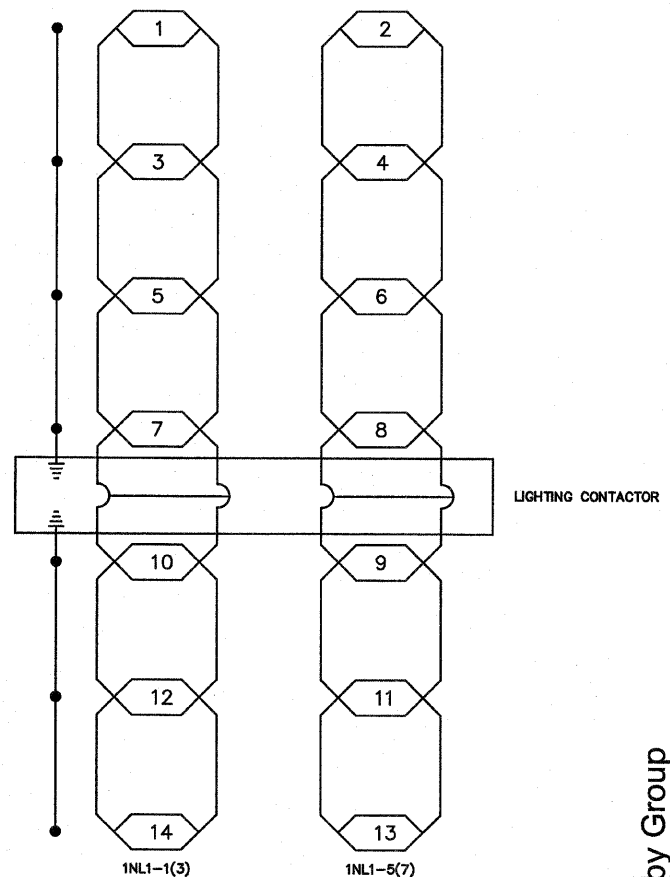
4 POLE BASE CONNECTION DETAIL SCALE: NONE



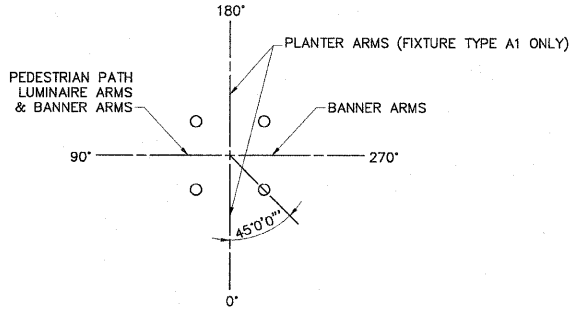
BRANCH LIGHTING CIRCUIT

NOTE: CONTRACTOR SHALL FURNISH THE CITY OF ROCKFORD DETAILED "AS-BUILT" PLANS SHOWING EXACT LOCATIONS OF INSTALLED CONDUITS AND CABLES FOR FUTURE REFERENCE.

2 DIRECT BURIAL CONDUIT SCALE: NONE



5 POLE FIXTURE CIRCUIT DIAGRAM SCALE: NONE



3 POLE ORIENTATION DETAIL SCALE: NONE

LIGHT FIXTURE SCHEDULE							
TAG	DESCRIPTION	VOLTAGE	NUMBER OF LAMPS	LAMP TYPE	MANUFACTURER	CATALOG NUMBER	FEATURES
A	SITE POLE LIGHT	240V	1	250W PSMH	ARCHITECTURAL AREA LIGHTING	UCL-LUM-ANG-H3-250PSMH-DBZ OR APPROVED EQUAL	LUMINOUS RINGS, ANGLED HOOD, TYPE 3 DISTRIBUTION, PULSE START BALLAST, DARK BRONZE FINISH, FURNISH WITH SLA-17 ARM AND 14" PR4-4RH-226-BBD4-24 POLE. FURNISH WITH BANNER ARMS.
A1	SITE POLE LIGHT	240V	1	250W PSMH	ARCHITECTURAL AREA LIGHTING	UCL-LUM-ANG-H3-250PSMH-DBZ OR APPROVED EQUAL	LUMINOUS RINGS, ANGLED HOOD, TYPE 3 DISTRIBUTION, PULSE START BALLAST, DARK BRONZE FINISH, FURNISH WITH SLA-17 ARM AND 14" PR4-4RH-226-BBD4-24 POLE. FURNISH WITH BANNER ARMS, PLANTER ARMS & GFI RECEPTACLE WITH LOCKABLE WEATHERPROOF COVER.
B	IN GRADE ACCENT LIGHT	240V	1	70W PSMH	KIM LIGHTING	LTV32-WW-70PMH-240 OR APPROVED EQUAL	BRONZE HOUSING, WALL WASH REFLECTOR.
C	STEPLIGHT	120V	-	15W LED	BEGA	2040LED-SLV OR APPROVED EQUAL	ALUMINUM HOUSING, LOUVER DOOR, SILVER FINISH.
D	LED ACCENT LIGHT	120V	-	4W LED	HESS	LEDIA-LF-OD-4-12-WH-N OR APPROVED EQUAL	ILLUMINATING TILE, WHITE 6500K COLOR, FURNISH EIGHT TILES & ONE DRIVER AT EACH LOCATION. COORDINATE INSTALLATION WITH COLUMN DETAILS SHEET 125.
E	SPOTLIGHT	240V	1	150W PSMH	HYREL	7100-150CMT6-MVOLT-SP-KM-ISS-GS-STG OR APPROVED EQUAL	SPOT DISTRIBUTION, KNUCKLE-MOUNT, INTERNAL SOURCE SHIELD, GLARE SHIELD, STEEL GRAY FINISH.
F	FLOODLIGHT	240V	1	150W PSMH	HYREL	7100-150CMT6-MVOLT-NHSP-KM-ISS-DOBGS OR APPROVED EQUAL	NARROW HORIZONTAL FLOODLIGHT DISTRIBUTION, KNUCKLE MOUNT, INTERNAL SOURCE SHIELD, GLARE SHIELD, DARK BRONZE FINISH.
G	BOLLARD	240V	1	100W MH	HYREL	3120 36 100M 240V FT GEB LPI DDB OR APPROVED EQUAL	36" TALL BOLLARD, DARK BRONZE FINISH, FORWARD THROW 180 DEGREE DISTRIBUTION, ELECTRONIC BALLAST.
H	LIGHTED HANDRAIL	120V	-	LED	INTENSE	IRV2-**-**-36-HO-40-60S-MOD OR APPROVED EQUAL	STAGGERED 8' LED SECTIONS, SILVER POWDER COATED ALUMINUM CONSTRUCTION, POST MOUNTED, WITH DRIVERS AND ALL ACCESSORIES. REFER TO QUOTE #08167-00-A427-QTE.

RED SALTER
 062-059650
 PROFESSIONAL
 MEASURER
 OF
 ILLINOIS
 04.11.30.11
 9.1.10

Larson & Darby Group
 Architects Engineers Planners
 200 North Main Street, Rockford, IL 61101
 (815) 398-2332
 Fax: (815) 398-2496
 Copyright 2010 By McClure Engineering Associates, Inc.

SHEET REVIEW	
AGENCY	DATE

REVISIONS		
NO.	ITEM	DATE

SCALE:	NA
DRAWN BY:	MS
CHECKED BY:	JWH
DATE:	4/16/2010

McClure
 Engineering Associates, Inc.
 7282 Argus Drive Rockford, Illinois 61107-5837
 (815) 398-2332 FAX (815) 398-2496
 Design Firm License: Illinois 184-000816
 Copyright 2010 By McClure Engineering Associates, Inc.

ELECTRICAL DETAILS
 RIVERWALK MUSEUM CAMPUS
 711 NORTH MAIN STREET ROCKFORD, IL
 FILE: P:\20020 MCCLURE - ROCKFORD RIVERWALK\DWG\ELEC\20020 E5.2.DWG
 JOB: 04-28-10-008