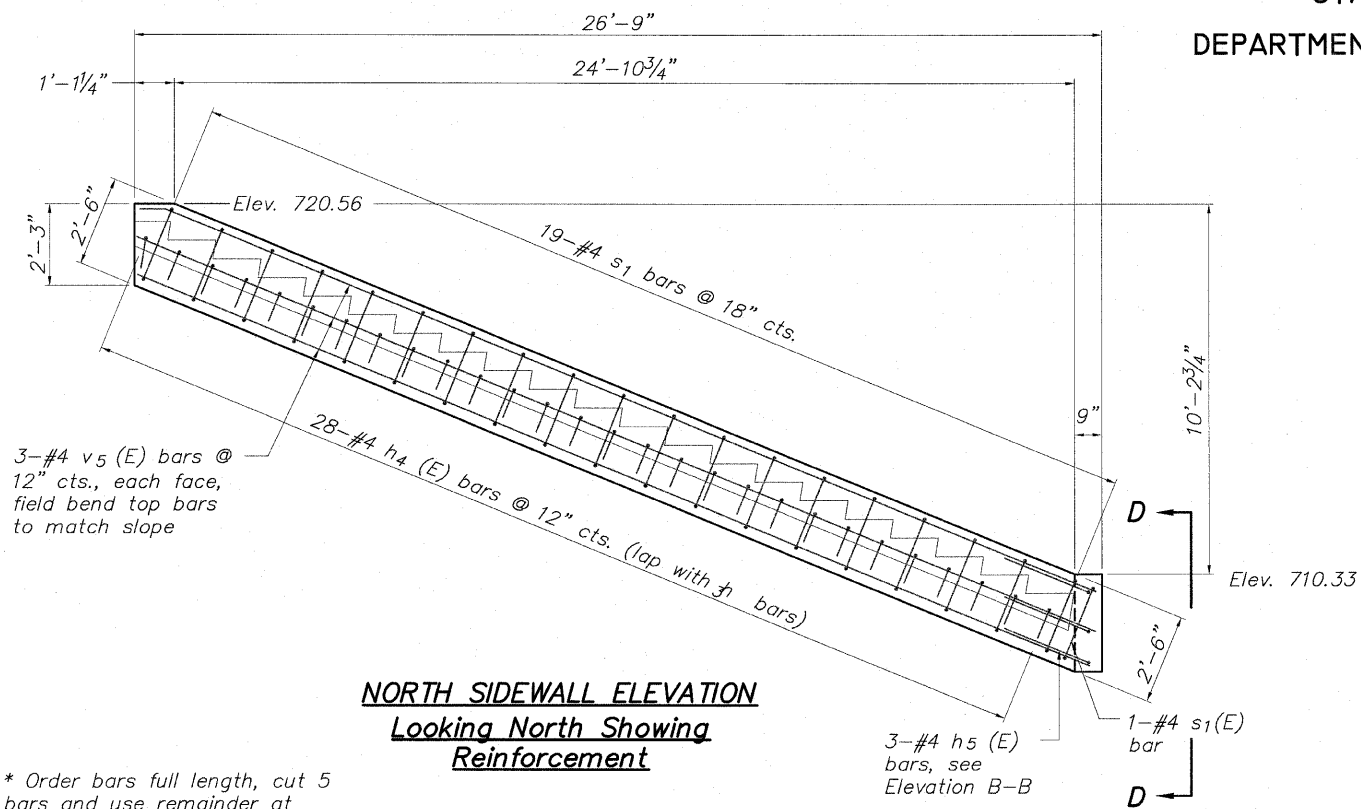
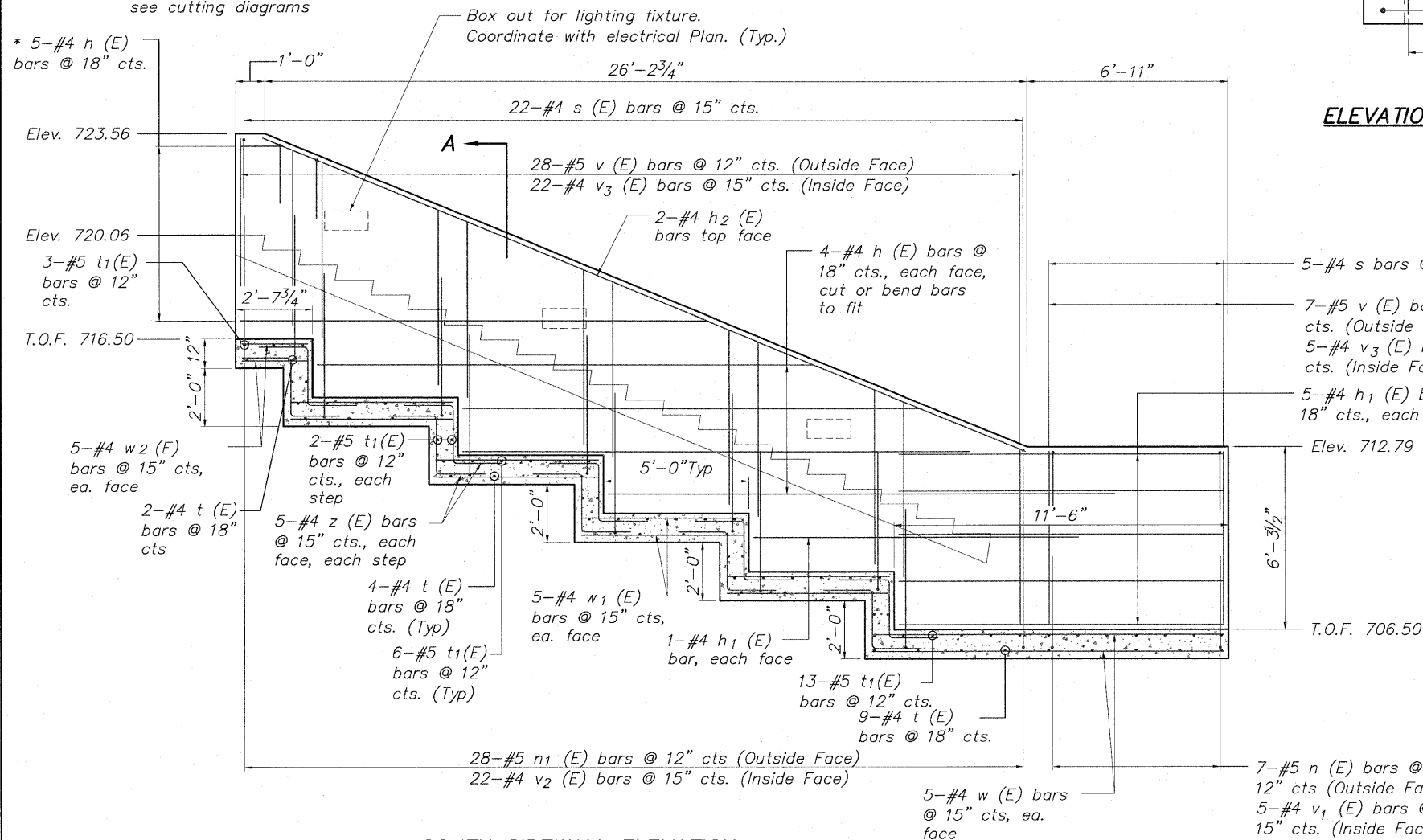


STATE OF ILLINOIS
DEPARTMENT OF TRANSPORTATION

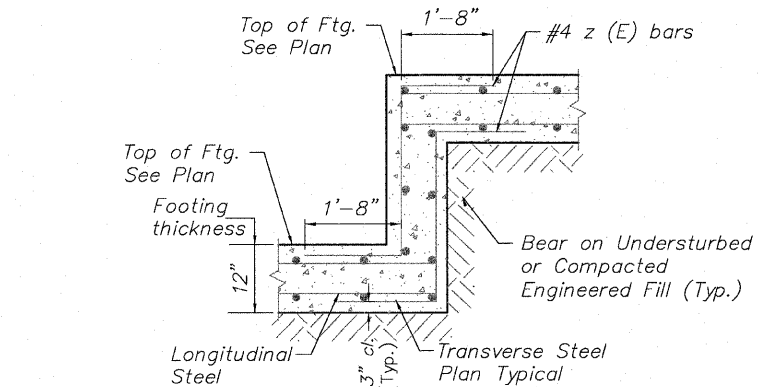


NORTH SIDEWALL ELEVATION
Looking North Showing
Reinforcement

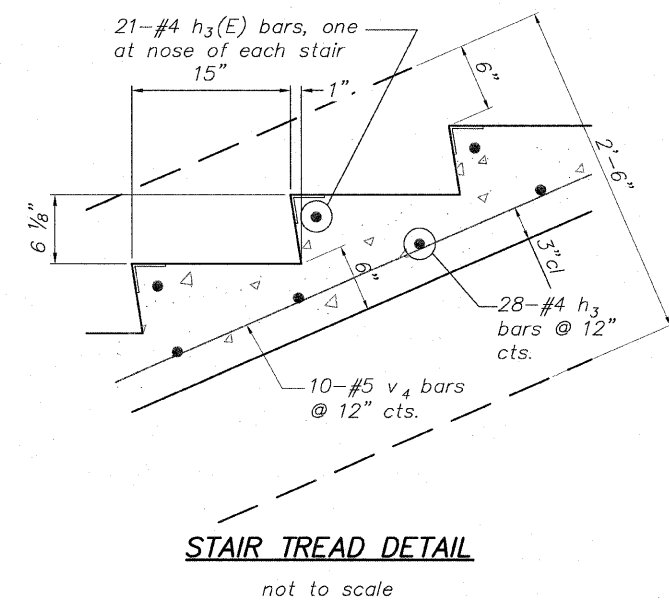
* Order bars full length, cut 5 bars and use remainder at opposite end of opposite face, see cutting diagrams



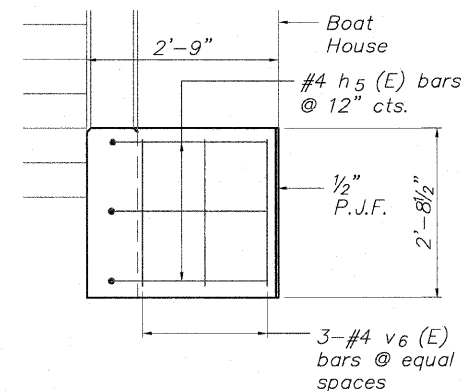
SOUTH SIDEWALL ELEVATION
Looking North Showing
Reinforcement



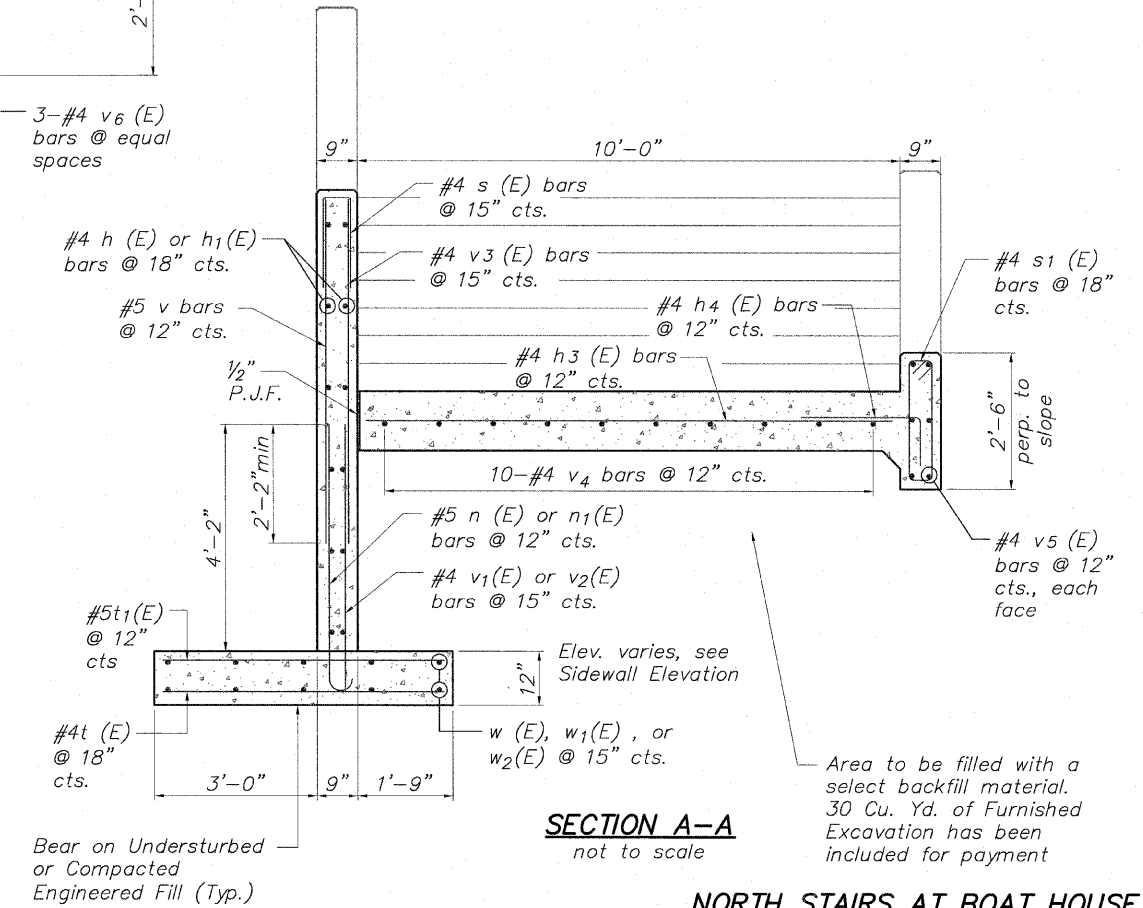
TYPICAL WALL FOOTING
STEP DETAIL



STAIR TREAD DETAIL
not to scale



ELEVATION D-D



SECTION A-A
not to scale

NORTH STAIRS AT BOAT HOUSE
STAIRWAY DETAILS
PEDESTRIAN RIVERWALK
ALONG THE ROCK RIVER
WINNEBAGO COUNTY
SECTION NO. 06-00543-00-BT
STATION 213+11.51

Area to be filled with a select backfill material. 30 Cu. Yd. of Furnished Excavation has been included for payment

DESIGNED	CTB
CHECKED	AAG
DRAWN	JAW
CHECKED	JW1

McClure
Engineering Associates, Inc.
7282 Argus Drive
Rockford, Illinois 61107-5837
(815) 398-2332 Fax (815) 398-2496
Design Firm License: Illinois #194-000816
Copyright 2010 By McClure Engineering Associates, Inc.

SHEET NO. 4
5 SHEETS

F.A. RTE.	SECTION	COUNTY	TOTAL SHEETS	SHEET NO.
	06-00543-00-BT	WINNEBAGO	148	49
FED. ROAD DIST. NO.	ILLINOIS	FED. AID PROJECT	CONTRACT NO. 85521	

H:\08-008 RIVERWALK MUSEUM\DESIGN\DRAWINGS\STRUCTURAL\08-008 STAIRS\DETAILS (2).10/26/2010 2:02:33 PM. 11. JMW