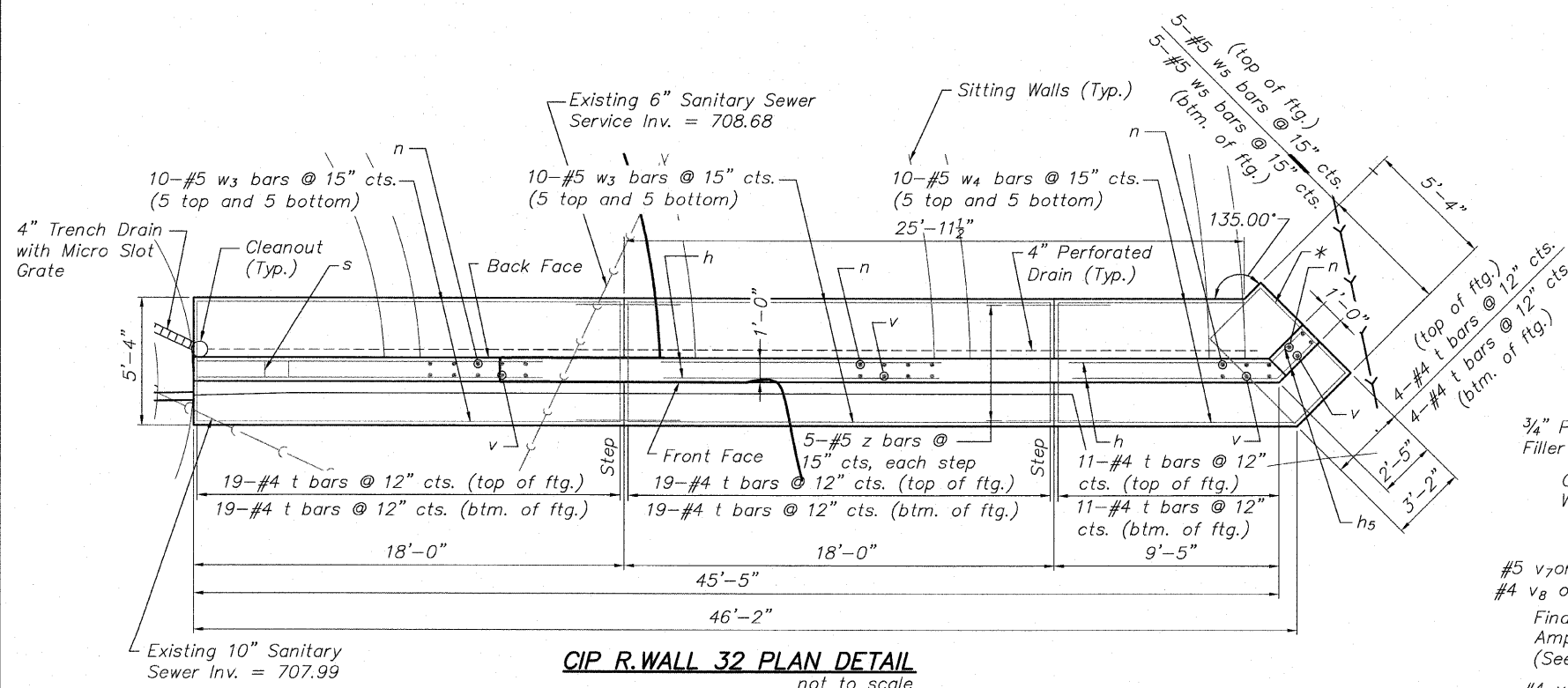
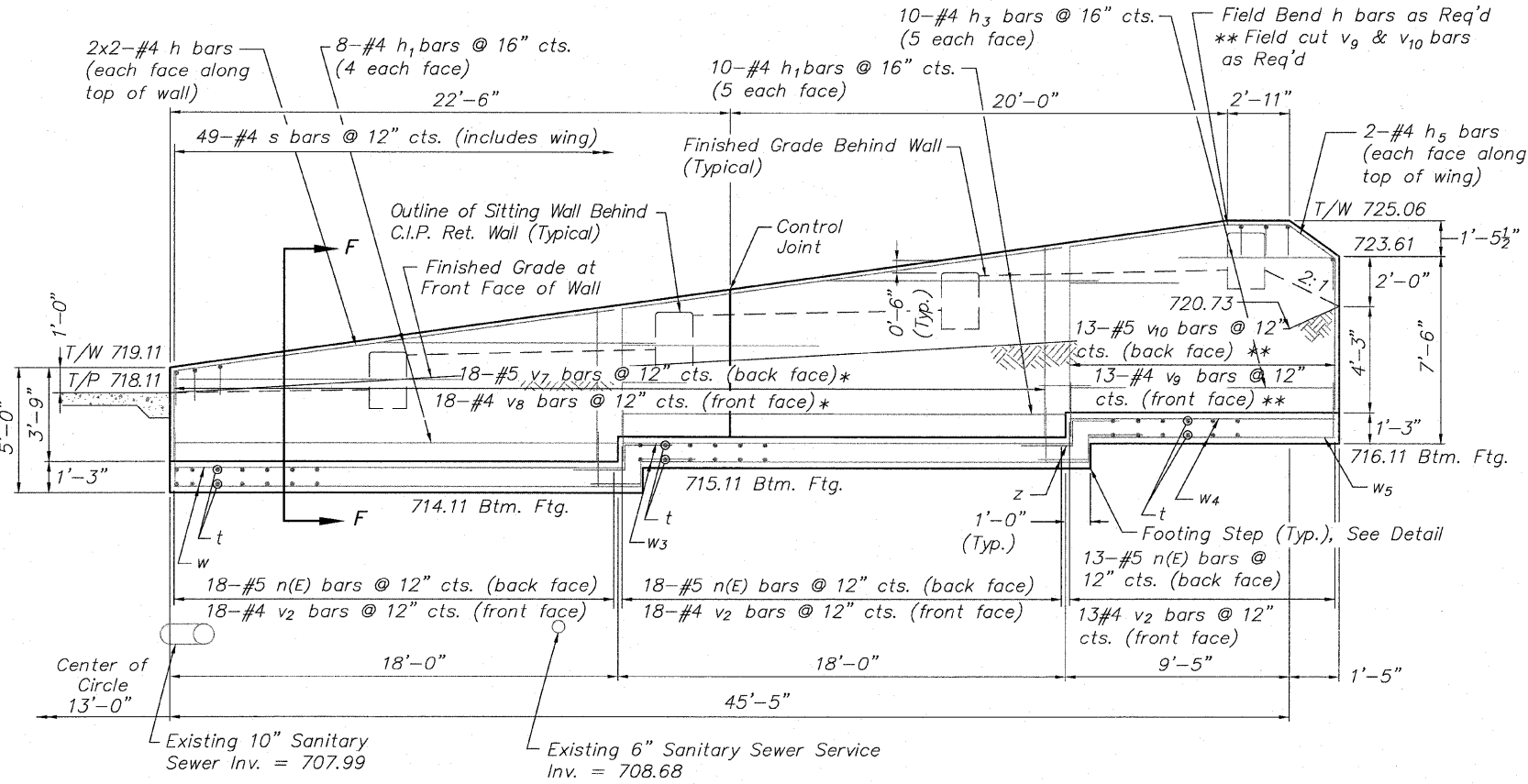
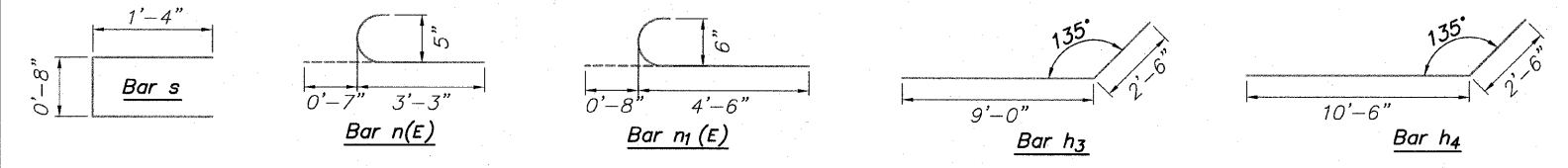


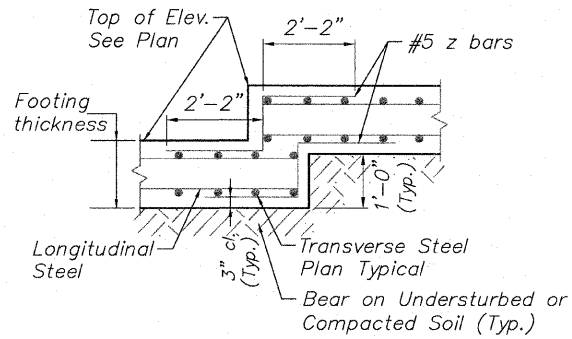
STATE OF ILLINOIS  
DEPARTMENT OF TRANSPORTATION



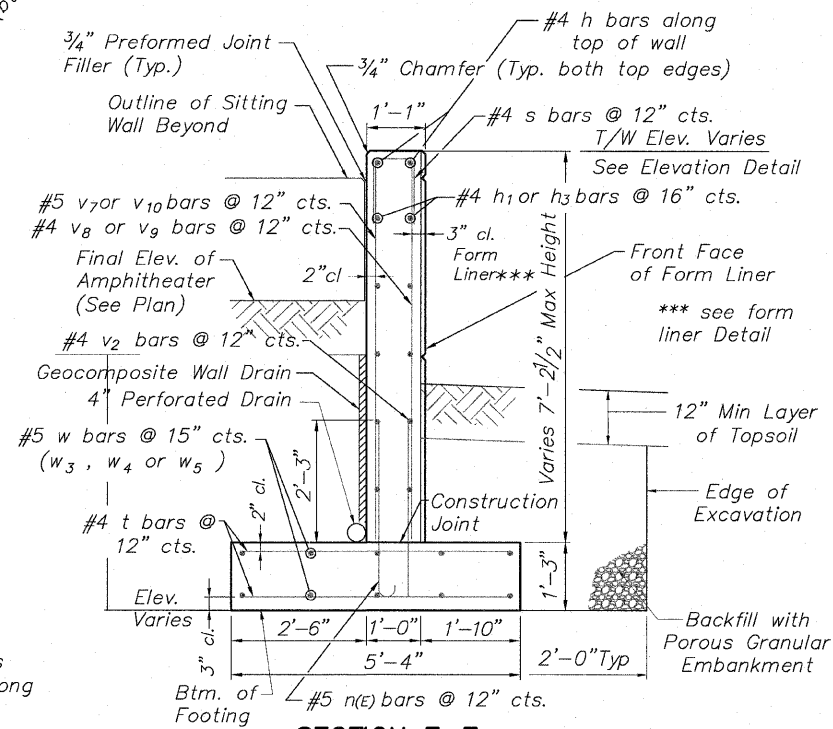
**CIP R. WALL 32 PLAN DETAIL**  
not to scale



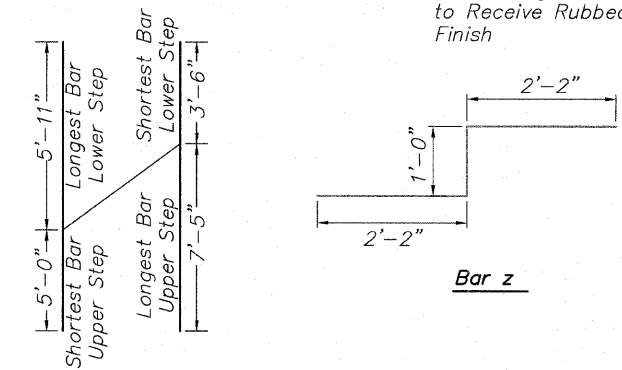
**CIP R. WALL 32 ELEVATION DETAIL**  
not to scale



**TYPICAL WALL FOOTING STEP DETAIL**



**SECTION F-F**  
not to scale



**BAR v7 & v8 CUT DIAGRAM**

\* Field cut bars & use remaining balance in opposite end.

**BILL OF MATERIALS**  
For Wall 31 and Wall 32

Bar	No.	Size	Length	Shape
h	8	#4	23'-8"	—
* h1	28	#4	19'-8"	—
* h2	14	#4	27'-0"	—
* h3	28	#4	11'-6"	—
* h4	2	#4	13'-0"	—
* h5	2	#4	5'-2"	—
n(E)	67	#5	3'-10"	—
n(E)1	45	#6	5'-2"	—
s	105	#4	3'-4"	—
t	144	#4	5'-0"	—
t1	49	#6	7'-8"	—
t2	36	#5	7'-8"	—
* v	9	#4	10'-9"	—
* v1	9	#5	10'-9"	—
v2	105	#4	3'-3"	—
* v3	15	#5	18'-9"	—
* v4	12	#4	18'-7"	—
** v5	15	#5	11'-1"	—
** v6	14	#4	11'-1"	—
* v7	18	#5	10'-11"	—
* v8	18	#4	10'-11"	—
** v9	18	#4	7'-6"	—
** v10	18	#5	7'-6"	—
w	10	#5	17'-8"	—
w1	14	#5	29'-4"	—
w2	14	#5	10'-4"	—
w3	20	#5	18'-8"	—
w4	10	#5	9'-8"	—
w5	10	#5	3'-0"	—
z	30	#5	5'-4"	—

Structure Excavation	Cu. Yd.	74
Concrete Structures	Cu. Yd.	60.0
Reinforcement Bars	Pound	5,265
Reinforcement Bars (Epoxy Coated)	Pound	617
Form Liner Textured Surface	Sq. Ft.	299.4
Pipe Underdrains for St. 4"	Foot	88
Geocomposite Wall Drain	Sq. Yd.	49.9
Rubbed Finish	Sq. Ft.	384.5
Staining Concrete Structure	Sq. Yd.	33.2
Porous Granular Embankment	Cu. Yd.	162.2

\*\* Field cut bar(s) to fit

**C.I.P. WALL No. 32**  
**ELEVATION & DETAILS**  
**RIVERWALK AMPHITHEATER**  
**WINNEBAGO COUNTY**  
**SECTION NO. 06-00543-00-BT**  
**STATION 305+38.64**

DESIGNED	CTB
CHECKED	AAG
DRAWN	JAW
CHECKED	JWH

**McClure**  
Engineering Associates, Inc.  
7282 Arroyo Drive  
(815) 398-2332  
Rockford, Illinois 61107-5837  
Fax (815) 398-2496  
Design Firm License: Illinois #184-000816  
Copyright 2010 By McClure Engineering Associates, Inc.

SHEET NO. 3  
5 SHEETS

F.A. RTE.	SECTION	COUNTY	TOTAL SHEETS	SHEET NO.
	06-00543-00-BT	WINNEBAGO	148	53
FED. ROAD DIST. NO.	ILLINOIS	FED. AID PROJECT		85521