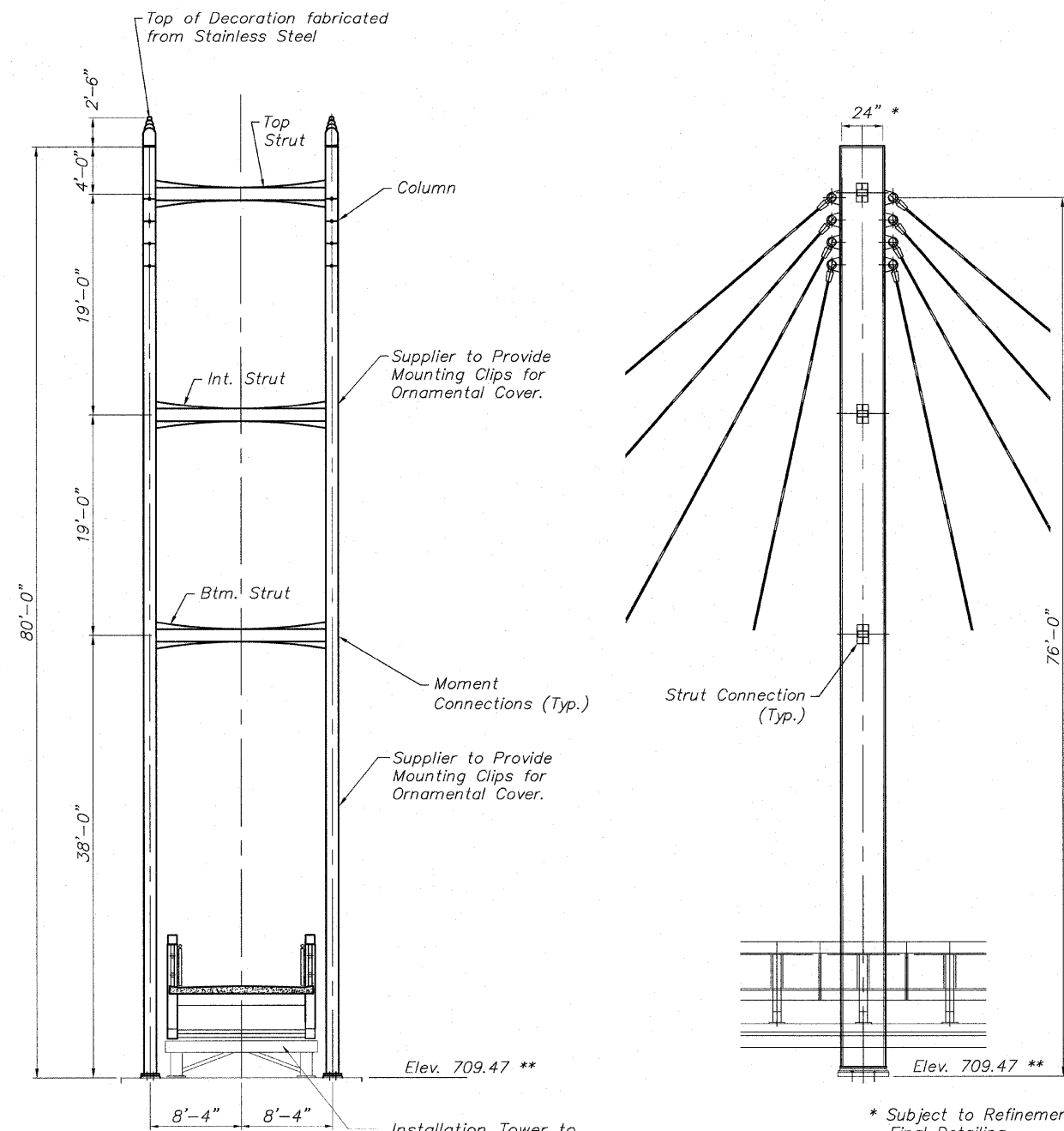
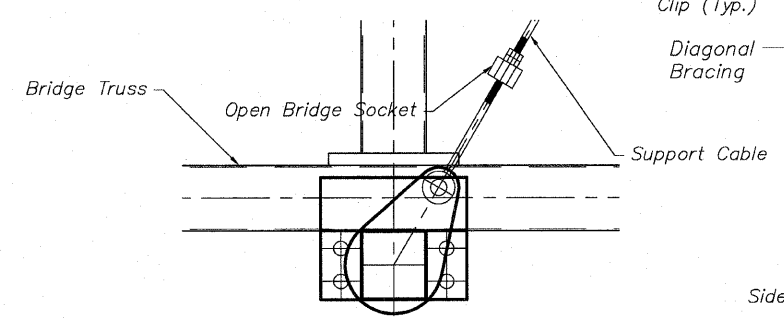
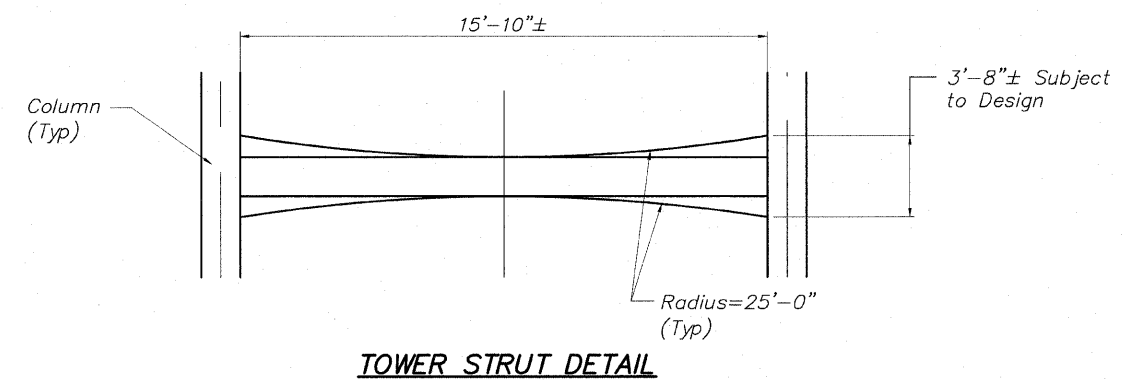


STATE OF ILLINOIS
DEPARTMENT OF TRANSPORTATION

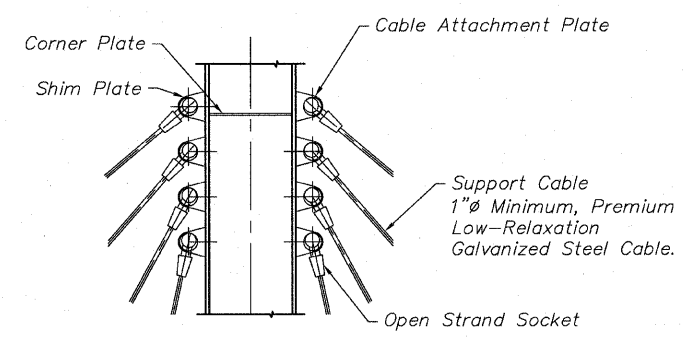


TOWER ELEVATION

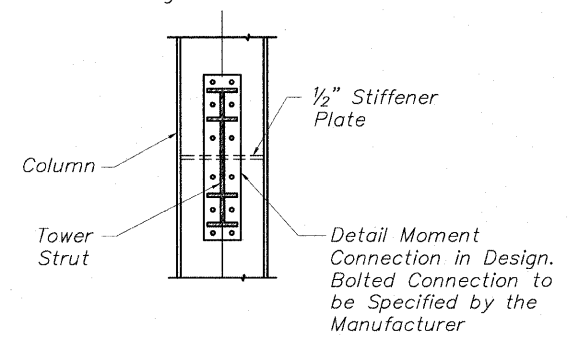
TOWER ELEVATION-SIDE VIEW



BRIDGE TRUSS CABLE ATTACHMENT DETAIL

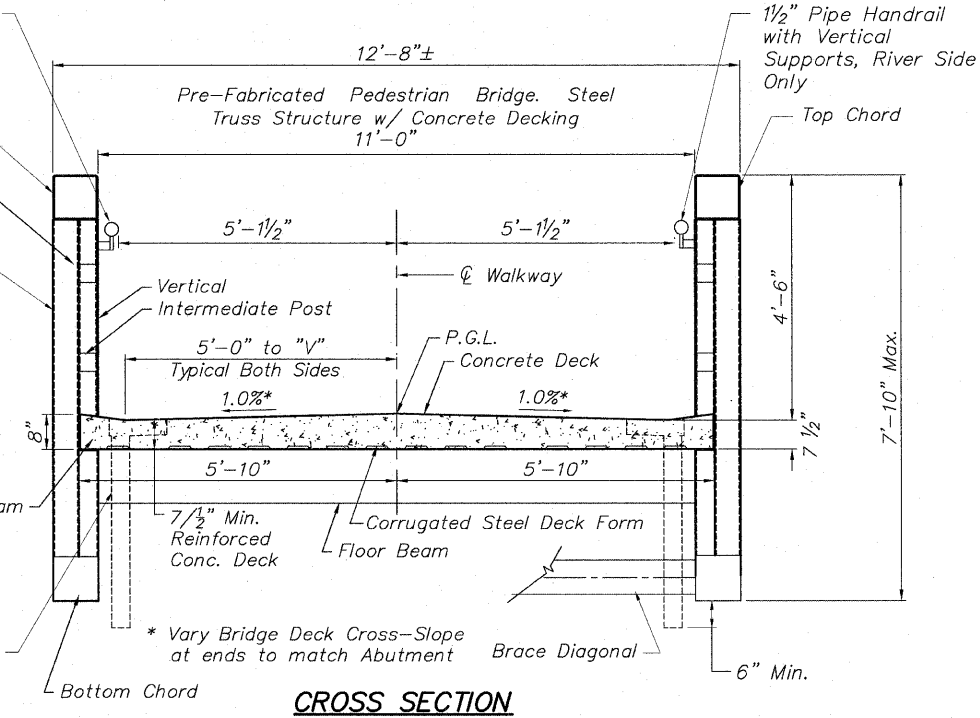


TOWER CABLE ATTACHMENT DETAIL

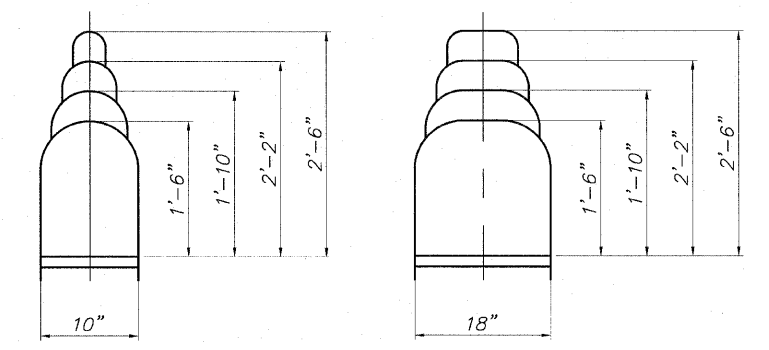


TOWER STRUT CONNECTION

1 1/2" Pipe Handrail with Vertical Supports, Embankment Side Only



CROSS SECTION



TOP ORNAMENT DETAILS

NOTE:
Contractor shall refer to the Special Provisions for design requirements, loading and stresses.

**SUPERSTRUCTURE DETAILS
CABLE-STAYED PEDESTRIAN BRIDGE
PEDESTRIAN RIVERWALK
ALONG THE ROCK RIVER
WINNEBAGO COUNTY
SECTION NO. 06-00543-00-BT
STATION 209+48.25
STRUCTURE NO. 6350**

DESIGNED	CTB
CHECKED	AAG
DRAWN	JAW
CHECKED	JWH

McClure
Engineering Associates, Inc.
7282 Argus Drive
(815) 398-2332
Rockford, Illinois 61107-5837
Fax (815) 398-2496
Design Firm License: Illinois#104-000816
Copyright 2010 By McClure Engineering Associates, Inc.

SHEET NO. 3
II SHEETS

F.A. RTE.	SECTION	COUNTY	TOTAL SHEETS	SHEET NO.
	06-00543-00-BT	WINNEBAGO	148	58
FED. ROAD DIST. NO.	ILLINOIS	FED. AID PROJECT	CONTRACT NO. 85521	

H:\08-008 RIVERWALK MUSEUM\DESIGN\DRAWINGS\STRUCTURAL\GPBE\08-008 BRIDGES-6350 SUPER.DWG. STW6350 DETAILS (3). 10/26/2010 2:41:52 PM. EJ, JMH