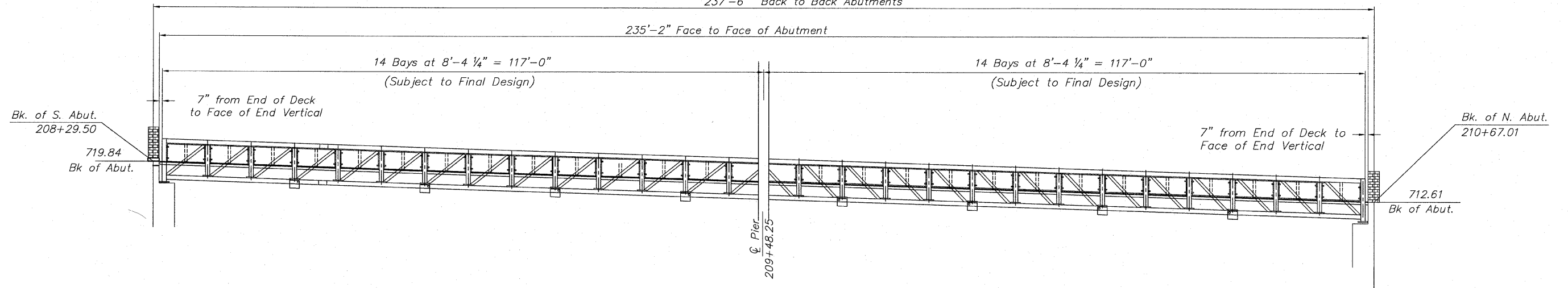
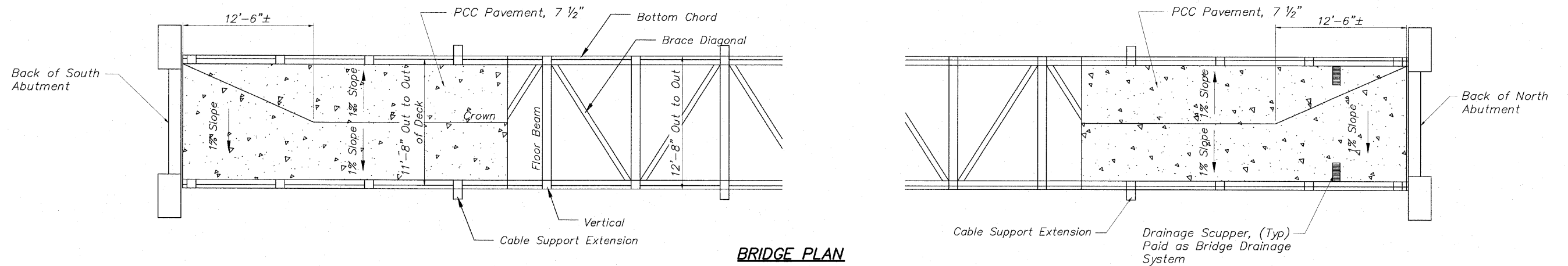


STATE OF ILLINOIS
DEPARTMENT OF TRANSPORTATION

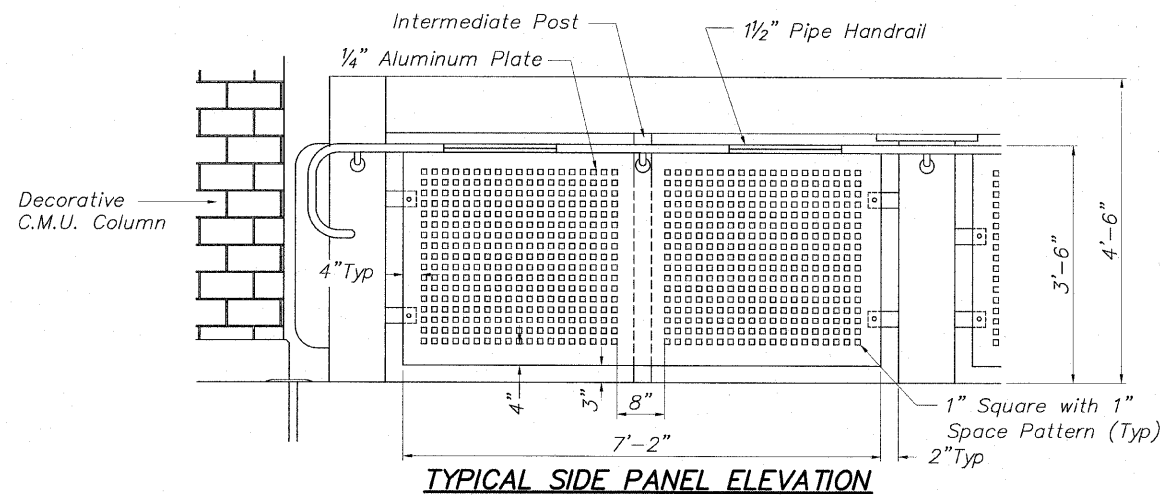
237'-6" Back to Back Abutments



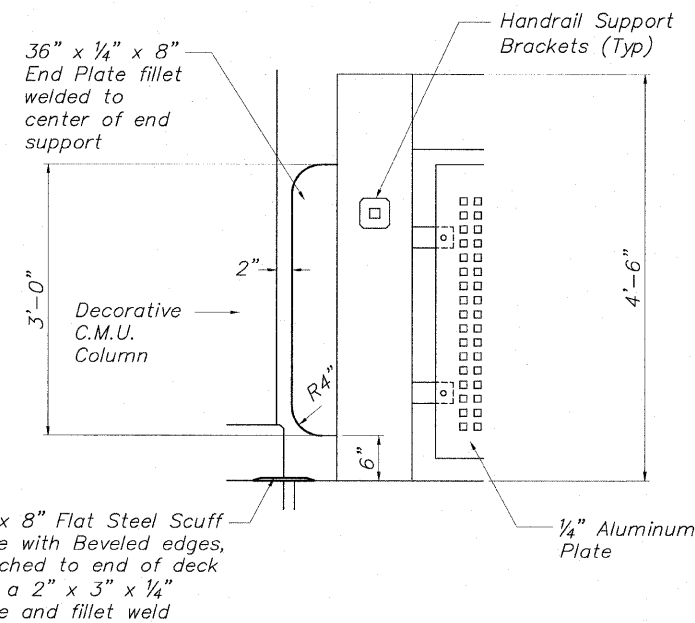
BRIDGE ELEVATION



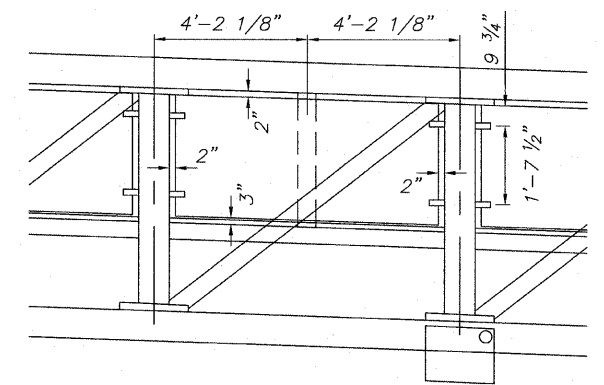
BRIDGE PLAN



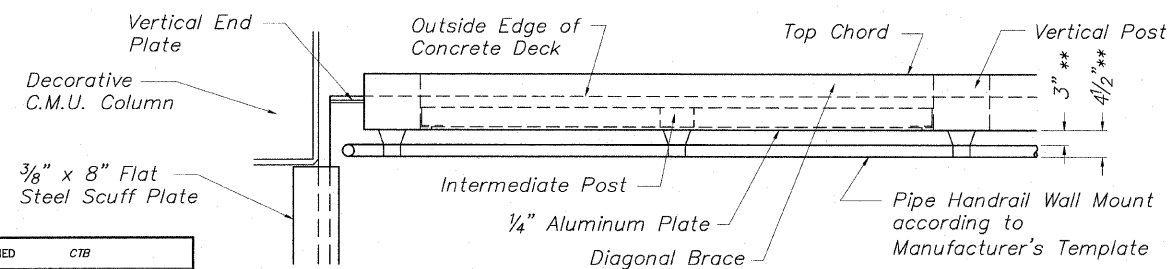
TYPICAL SIDE PANEL ELEVATION



DETAIL OF SCUFF PLATE & END VERTICAL PLATE



TYPICAL PANEL MOUNTING DETAIL



TYPICAL SIDE PANEL PLAN

** Verify with Manufacturer

DESIGNED	CTB
CHECKED	AAG
DRAWN	JAW
PEER REVIEWED	

**SUPERSTRUCTURE DETAILS
CABLE-STAYED PEDESTRIAN BRIDGE
PEDESTRIAN RIVERWALK
ALONG THE ROCK RIVER
WINNEBAGO COUNTY
SECTION NO. 06-00543-00-BT
STATION 209+48.25
STRUCTURE NO. 6350**

McClure
Engineering Associates, Inc.
2282 Argus Drive
Rockford, Illinois 61107-5837
(815) 398-2332 Fax (815) 398-2496
Design Firm License: Illinois#194-000816
Copyright 2010 By McClure Engineering Associates, Inc.

SHEET NO. 4
II SHEETS

F.A. RTE.	SECTION	COUNTY	TOTAL SHEETS	SHEET NO.
	06-00543-00-BT	WINNEBAGO	148	59
FED. ROAD DIST. NO.	ILLINOIS	FED. AID PROJECT	CONTRACT NO. 85521	

H:\06-008 RIVERWALK\DESIGN\DRAWINGS\STRUCTURAL\GPBE\06-008 BRIDGES-6350 SUPER.DWG, STR6350 SUPER DETAILS (L), 10/26/2010 2:44:51 PM, H. JAW