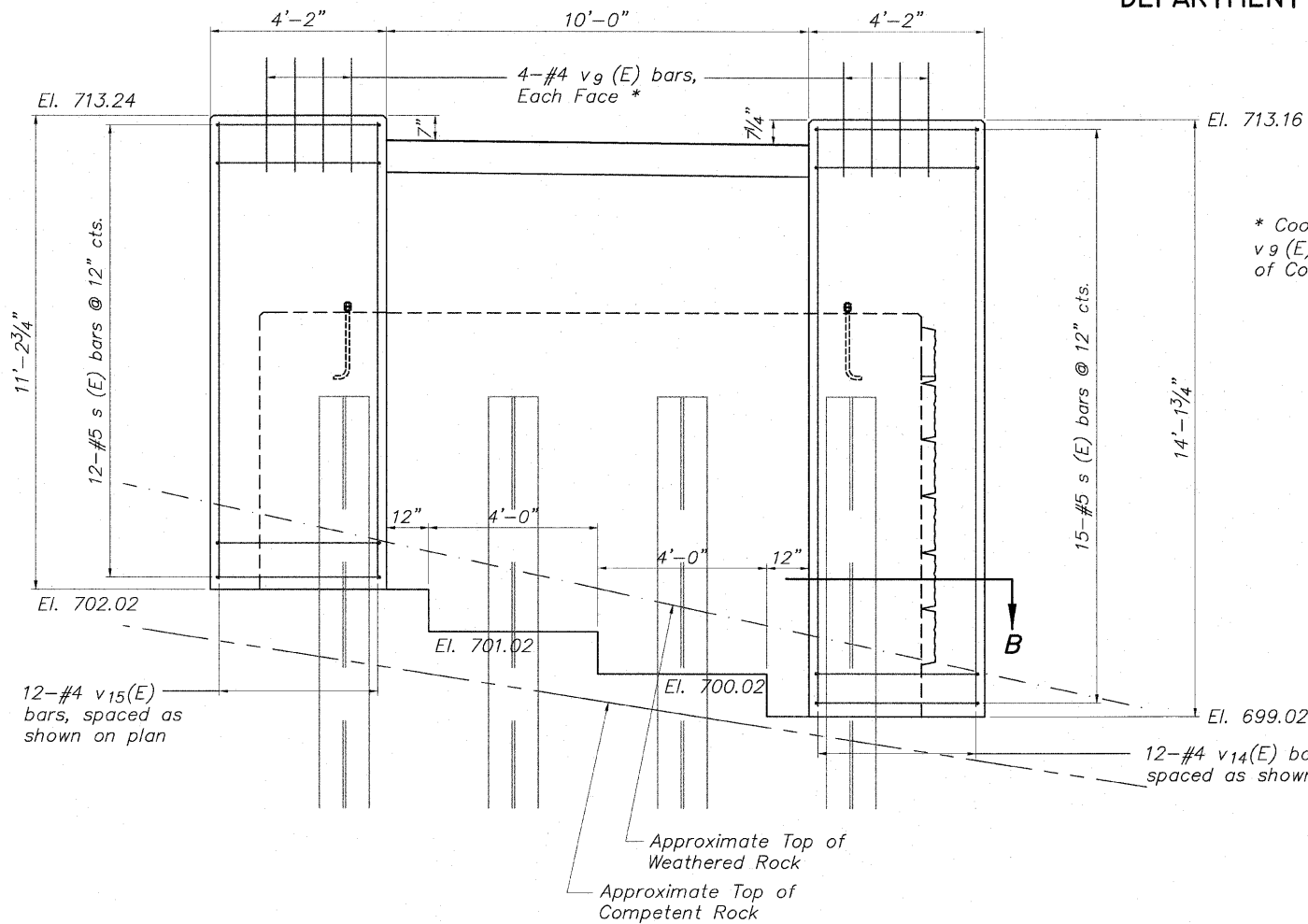
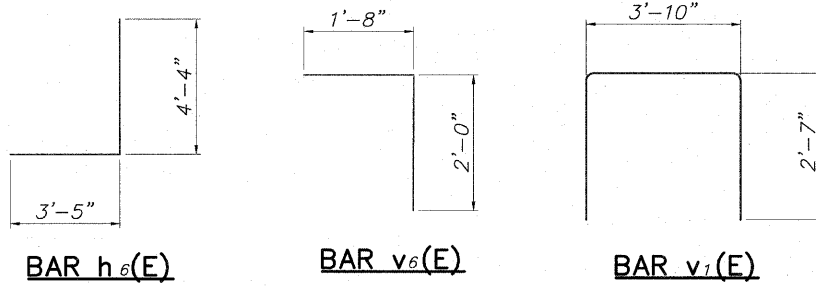
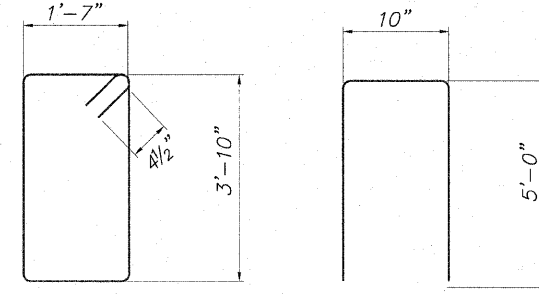


STATE OF ILLINOIS
DEPARTMENT OF TRANSPORTATION

BILL OF MATERIAL
North Abutment For Struct. No. 101-6350



* Coordinate location of
v₉(E) bars with cores
of Column Masonry Units

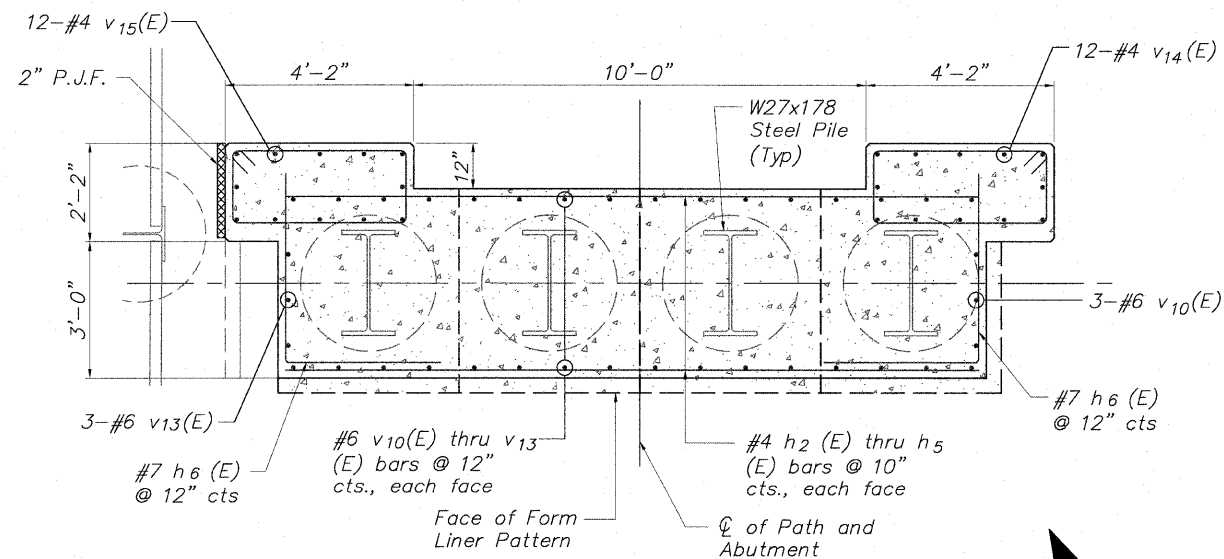


MINIMUM BAR LAP

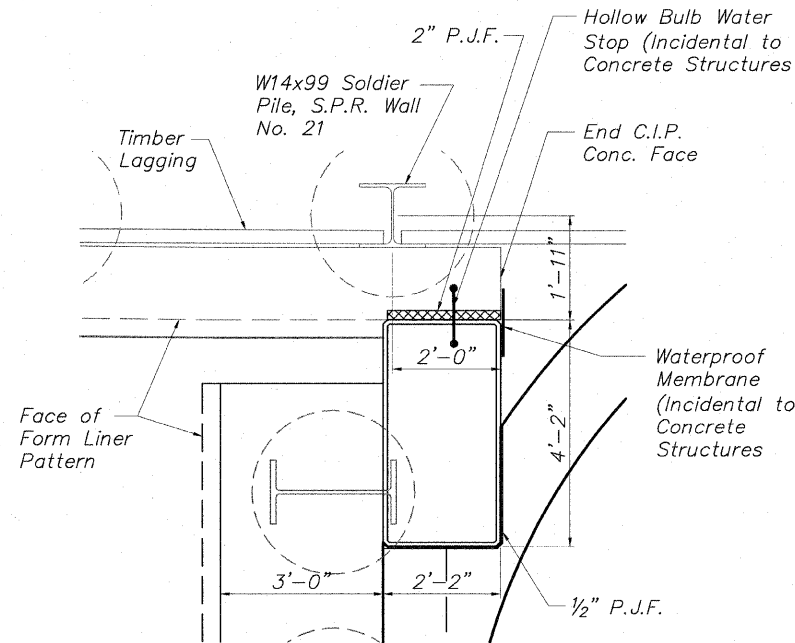
- No. 4 bars 1'-8"
- No. 5 bars 2'-2"
- No. 6 bars 2'-7"
- No. 7 bars 3'-5"

| Bar | No. | Size | Length | Shape |
|--|-----|------|---------|-------|
| h (E) | 8 | #4 | 9'-8" | — |
| h ₁ (E) | 16 | #4 | 4'-0" | — |
| h ₂ (E) | 18 | #7 | 15'-4" | — |
| h ₃ (E) | 2 | #7 | 11'-4" | — |
| h ₄ (E) | 4 | #7 | 7'-4" | — |
| h ₅ (E) | 2 | #7 | 3'-4" | — |
| h ₆ (E) | 20 | #7 | 4'-4" | — |
| s (E) | 27 | #5 | 11'-7" | □ |
| v (E) | 10 | #4 | 10'-10" | — |
| v ₁ (E) | 16 | #6 | 9'-0" | — |
| v ₆ (E) | 10 | #4 | 3'-8" | — |
| v ₉ (E) | 16 | #4 | 2'-8" | — |
| v ₁₀ (E) | 11 | #6 | 9'-1" | — |
| v ₁₁ (E) | 8 | #6 | 8'-1" | — |
| v ₁₂ (E) | 8 | #6 | 7'-1" | — |
| v ₁₃ (E) | 11 | #6 | 6'-1" | — |
| v ₁₄ (E) | 12 | #4 | 13'-8" | — |
| v ₁₅ (E) | 12 | #4 | 10'-9" | — |
| Concrete Structures | | | Cu. Yd. | 33.4 |
| Reinforcement Bars (Epoxy Coated) | | | Pound | 2,255 |
| Structure Excavation | | | Cu. Yd. | 20 |
| Furnishing Steel Piles W Section W27x178 | | | Foot | 60 |
| Setting Piles in Rock | | | Each | 4 |
| Geocomposite Wall Drain | | | Sq. Yd. | 25.5 |
| Form Liner Textured Surface | | | Sq. Ft. | 136 |
| Staining Concrete Structures | | | Sq. Yd. | 0 |
| Rock Excavation for Structures | | | Cu. Yd. | 8.0 |
| Concrete Sealer | | | Sq. Ft. | 121 |

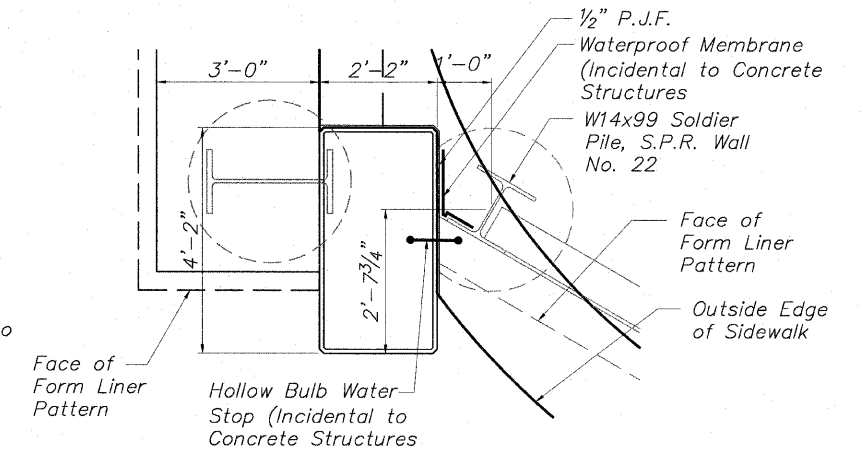
ELEVATION (Showing Column Reinforcement)
Looking North



SECTION B-B



WEST SIDE NORTH ABUTMENT PLAN



EAST SIDE NORTH ABUTMENT PLAN

NORTH ABUTMENT DETAILS
CABLE-STAYED PEDESTRIAN BRIDGE
PEDESTRIAN RIVERWALK
ALONG THE ROCK RIVER
WINNEBAGO COUNTY
SECTION NO. 06-00543-00-BT
STATION 209+48.25
STRUCTURE NO. 6350

| | |
|---------------|-----|
| DESIGNED | CTB |
| CHECKED | AAG |
| DRAWN | JAW |
| PEER REVIEWED | |

McClure
Engineering Associates, Inc.
2282 Argus Drive
Rockford, Illinois 61107-5837
(815) 398-2332 Fax (815) 398-2496
Design Firm License: Illinois #84-000816
Copyright 2010, By McClure Engineering Associates, Inc.

SHEET NO. 8
II SHEETS

| F.A. RTE. | SECTION | COUNTY | TOTAL SHEETS | SHEET NO. |
|---------------------|----------------|------------------|--------------|-----------|
| | 06-00543-00-BT | WINNEBAGO | 148 | 63 |
| CONTRACT NO. | | | 85521 | |
| FED. ROAD DIST. NO. | ILLINOIS | FED. AID PROJECT | | |

H:\08-08 RIVERWALK MUSEUM\DESIGN\DRAWINGS\STRUCTURAL\08-08 BRIDGES-6350 SUB.DWG. STR6350 N ABUT (8). 10/26/2010 5:18:57 PM. H. JAW