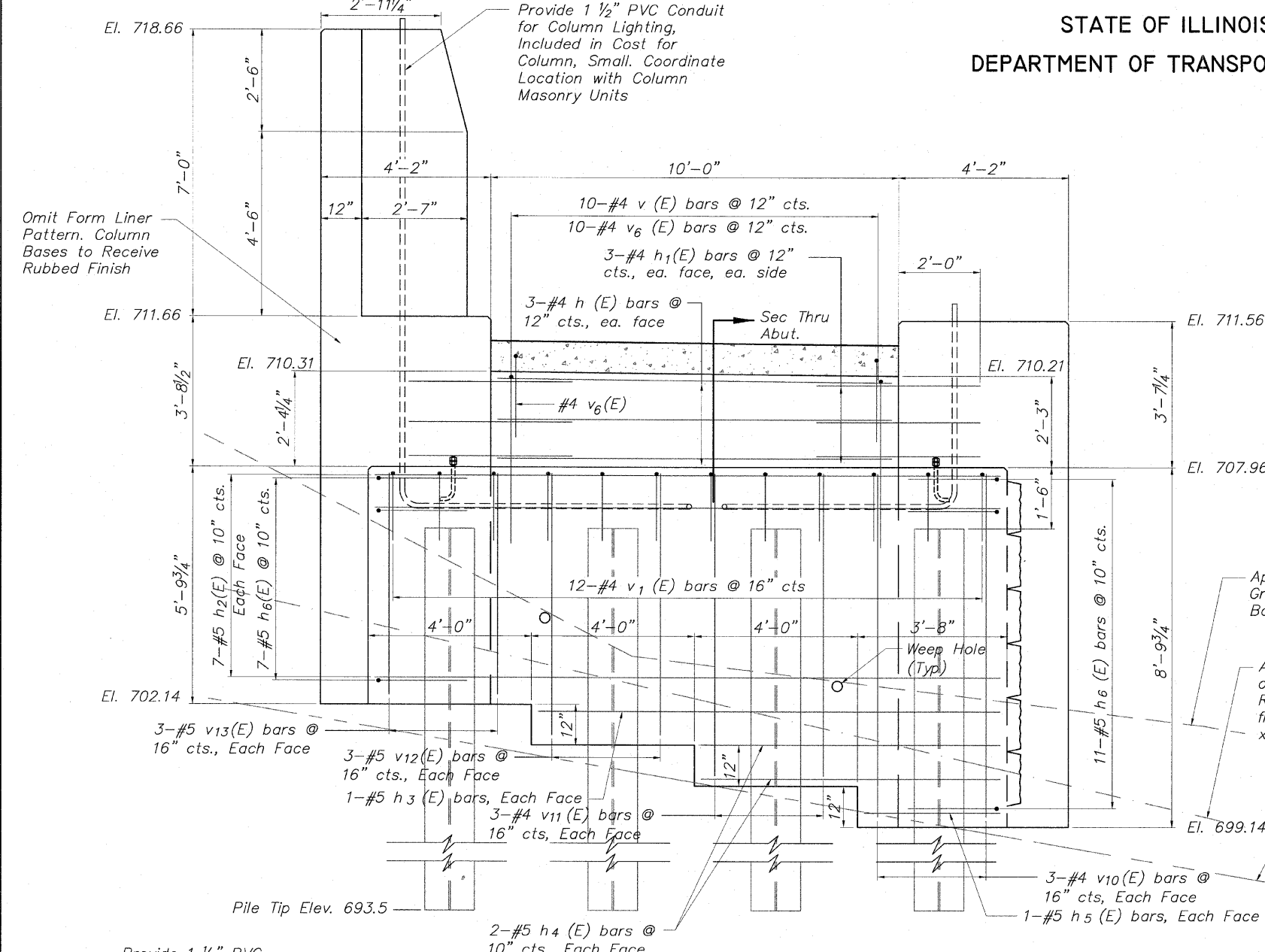
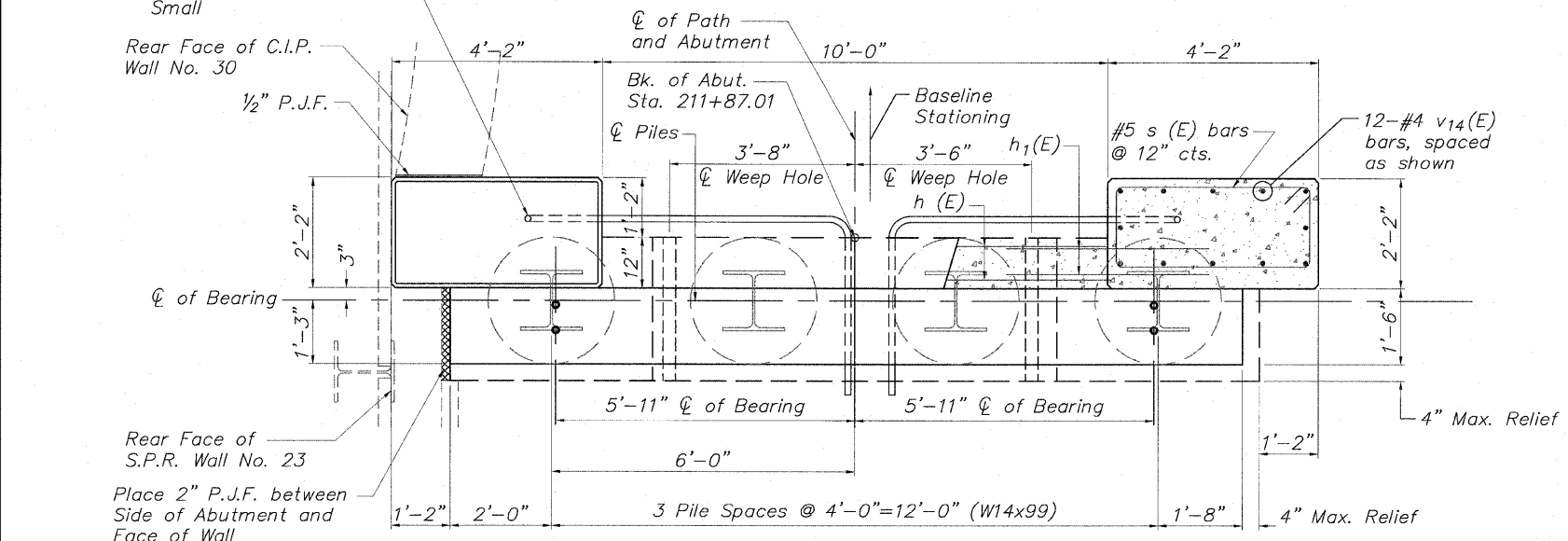


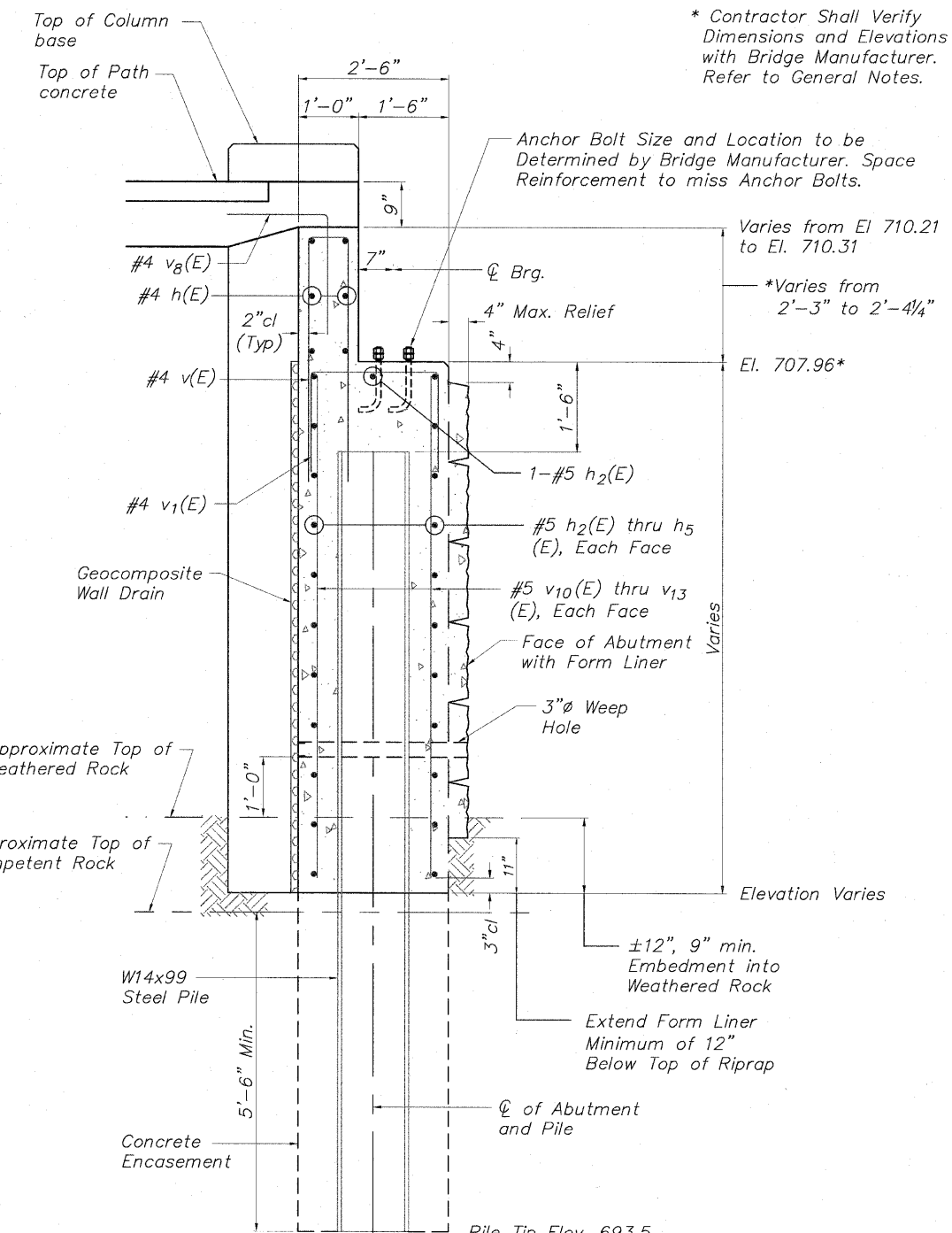
**STATE OF ILLINOIS
DEPARTMENT OF TRANSPORTATION**



ELEVATION
Looking South



PLAN



SEC THRU NORTH ABUT

Note:
Abutment Foundations are Designed for a Net Allowable Bearing Pressure of 25 tsf on Rock. Quality of Rock shall be determined and field verified by the Geotechnical Engineer during Excavation

**NORTH ABUTMENT DETAILS
PEDESTRIAN TRUSS BRIDGE
PEDESTRIAN RIVERWALK
ALONG THE ROCK RIVER
WINNEBAGO COUNTY
SECTION NO. 06-00543-00-BT
STATION 210+90.67 TO
STATION 211+87.01
STRUCTURE NO. 6351**

DESIGNED	
CHECKED	
DRAWN	JAW
PEER REVIEWED	

McClure Engineering Associates, Inc.
 7282 Argus Drive Rockford, Illinois 61107-5837
 (815) 398-2332 Fax (815) 398-2496
Design Firm License: Illinois #184-000816 Copyright 2010 By McClure Engineering Associates, Inc.

SHEET NO. 6
8 SHEETS

F.A. RTE.	SECTION	COUNTY	TOTAL SHEETS	SHEET NO.
	06-00543-00-BT	WINNEBAGO	148	72
FED. ROAD DIST. NO.	ILLINOIS	FED. AID PROJECT	CONTRACT NO.	85521

H:\08-08 RIVERWALK_MUSEUM\DESIGN\DRAWINGS\STRUCTURAL\06-00543-00-BT-ABUT_6351.DWG, N-ABUT_6351 (6), 10/26/2010 3:02:42 PM, JL, JMW