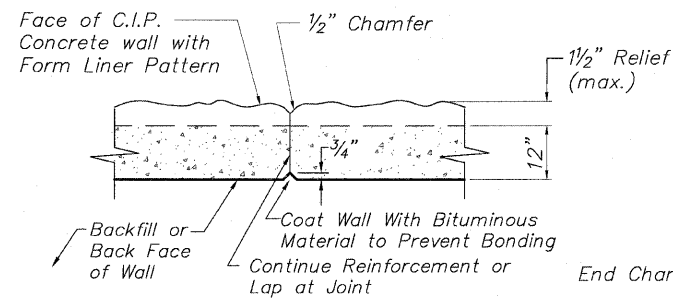


STATE OF ILLINOIS  
DEPARTMENT OF TRANSPORTATION

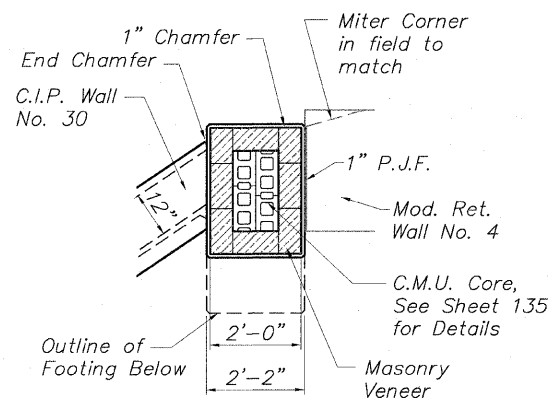


PLAN VIEW

Space Control Joints @ 24' cts. (max.)

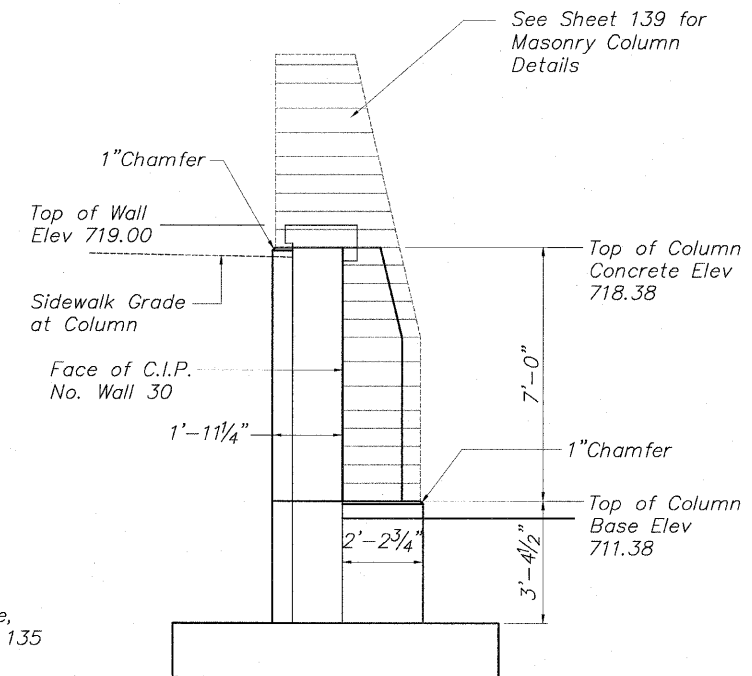
TYPICAL CONTROL JOINT DETAIL

Not to Scale



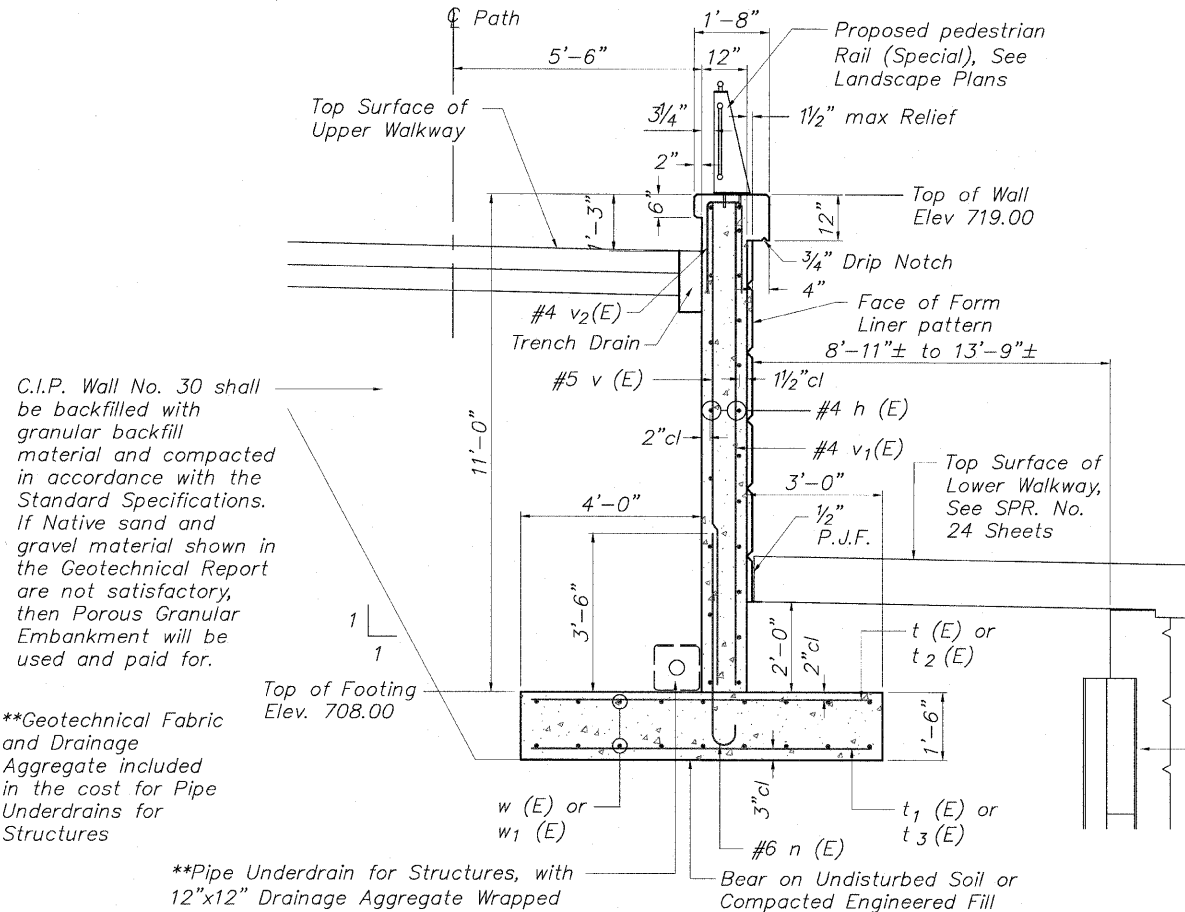
SECTION D-D

Not to Scale



ELEVATION E-E

Not to Scale



1/3 TYPICAL WALL SECTION

Not to Scale

C.I.P. Wall No. 30 shall be backfilled with granular backfill material and compacted in accordance with the Standard Specifications. If Native sand and gravel material shown in the Geotechnical Report are not satisfactory, then Porous Granular Embankment will be used and paid for.

\*\*Geotechnical Fabric and Drainage Aggregate included in the cost for Pipe Underdrains for Structures

\*\*Pipe Underdrain for Structures, with 12"x12" Drainage Aggregate Wrapped with Geotechnical Filter Fabric. Run length of retaining wall. Connect to cleanout with 6"x4" PVC Wye at Sta. 305+64.7, 5.6' Lt.

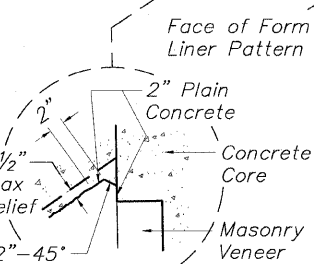
Wrap back of joint between Column and MRW No. 4 with Waterproof Membrane, bottom to top. Cost included in cost for Concrete Structures

12-#4 v3(E) bars Spaced as shown

7-#4 h1(E) bars @ 18" cts, (Back Face)

11-#4 h1(E) bars @ 12" cts, (Front Face)

#5 s(E) bars @ 12" cts

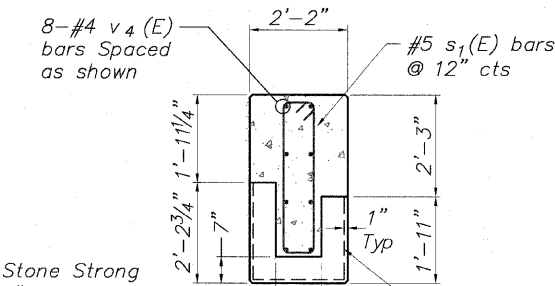


SECTION A-A

Not to Scale

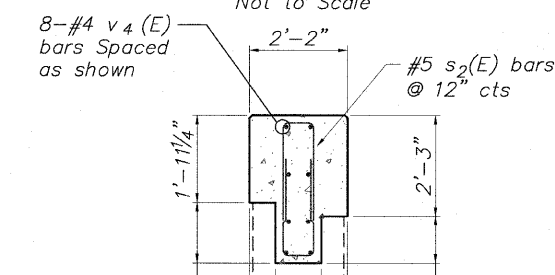
\* Note:

The contractor shall verify dimensions of Masonry Units and Veneer shown on the Column Details prior to forming the veneer ledge or ordering reinforcing. Inform the Engineer of any changes necessary to achieve a snug fit between the Masonry Units and the adjacent walls.



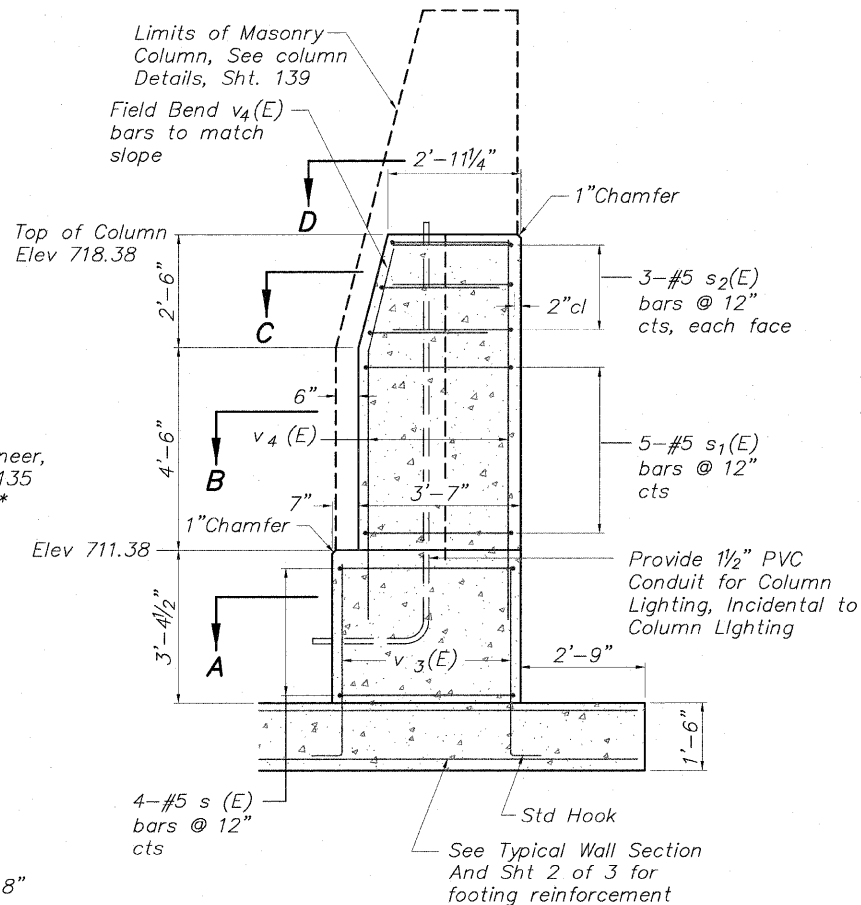
SECTION B-B

Not to Scale



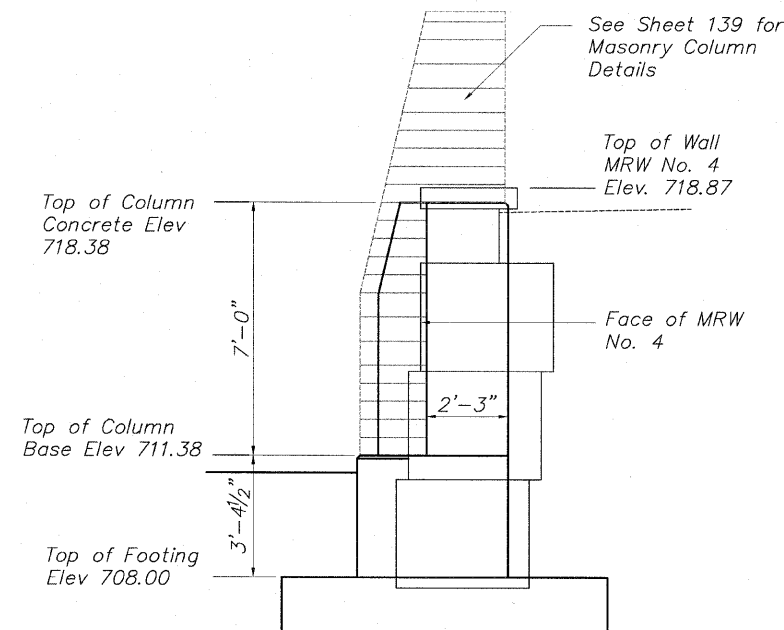
SECTION C-C

Not to Scale



COLUMN ELEVATION

Not to Scale



ELEVATION F-F

Not to Scale

C.I.P. WALL No. 30 DETAILS  
PEDESTRIAN RIVERWALK  
ALONG THE ROCK RIVER  
WINNEBAGO COUNTY  
SECTION NO. 06-00543-00-BT  
STATION 305+58.34 TO  
STATION 305+13.90

DESIGNED	JMH
CHECKED	AAG
DRAWN	JAW
CHECKED	JMH

**McClure**  
Engineering Associates, Inc.  
7282 Argus Drive  
Rockford, Illinois 61107-5837  
(815) 398-2332 Fax (815) 398-2496  
Design Firm License: Illinois #184-000816  
Copyright 2009 by McClure Engineering Associates, Inc.

SHEET NO. 3
3 SHEETS

F.A. RTE.	SECTION	COUNTY	TOTAL SHEETS	SHEET NO.
	06-00543-00-BT	WINNEBAGO	148	108
FED. ROAD DIST. NO.	ILLINOIS	FED. AID PROJECT	CONTRACT NO.	85521

008 RIVERWALK DESIGN DRAWINGS STRUCTURAL (P&E) 08-008 CIP-WALL 30.DWG. DETAILS 30P3 (8). 10/26/2010 4:20:33 PM