

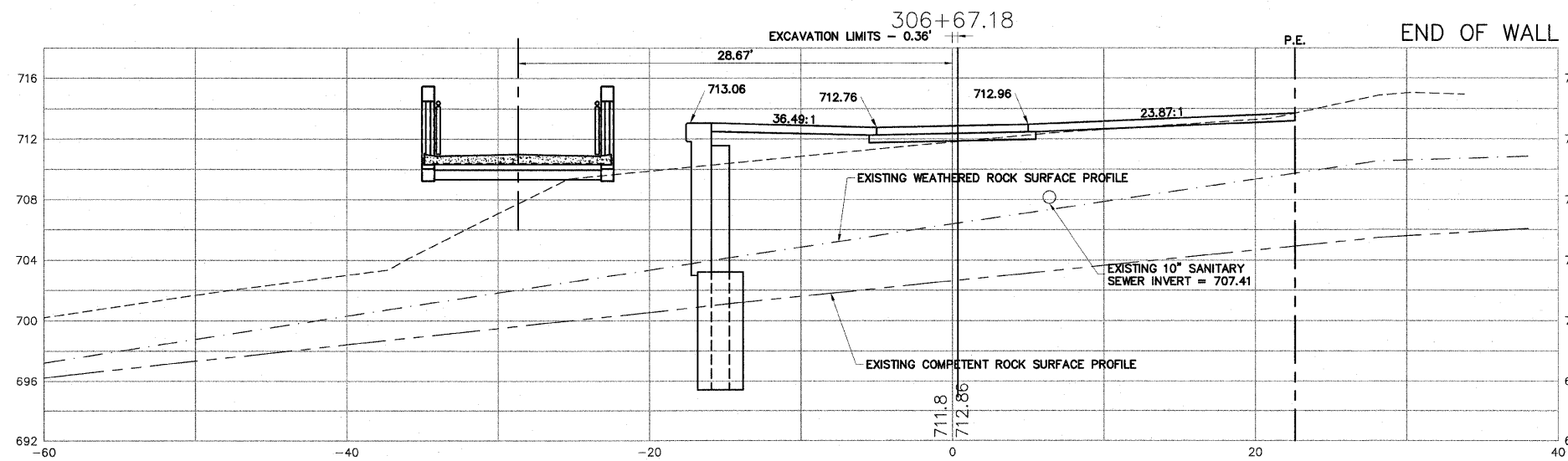
EARTH EXCAVATION WORKSHEET

Station	Distance Between Stations (ft.)	Cut End Area (s.f.)	Cut Average End Area (s.f.)	Cut Volume (c.y.)	Cumulative Cut Volume (c.y.)	Fill End Area (s.f.)	Fill Average End Area (s.f.)	Fill Volume (c.y.)	Cumulative Fill Volume (c.y.)	Cumulative C&F Volume (c.y.)
300+04		0				0				
300+50	46	16	8	14	14	0	0	0	0	14
301+00	50	24	20	37	51	0	0	0	0	51
301+40	40	11	18	26	77	0	0	0	0	77
301+50	10	12	12	4	81	0	0	0	0	81
301+61	11	15	14	5	86	0	0	0	0	86
301+79	18	16	16	10	97	0	0	0	0	97
302+00	21	13	15	11	108	0	0	0	0	108
302+19	19	17	15	10	118	0	0	0	0	118
302+50	31	83	50	58	176	0	0	0	0	176
303+00	50	19	51	94	271	0	0	0	0	271
303+50	50	5	12	22	293	28	14	26	26	267
303+88	38	40	23	32	325	3	16	22	48	277
304+00	12	29	35	16	340	6	5	2	50	290
304+16	16	55	42	25	365	2	4	2	52	313
304+50	34	11	33	42	407	76	39	49	101	306
304+69	19	8	10	7	413	130	103	71	172	241
304+72	4	0	4	1	414	215	173	24	196	218
305+00	28	0	0	0	414	164	190	194	390	23
305+39	39	0	0	0	414	162	163	233	623	209
306+03	65	0	0	0	414	263	213	511	1134	720
306+33	30	12	6	7	420	48	156	170	1304	884
306+67	34	3	8	10	430	1	25	31	1335	905
306+75	8	0	2	0	430	0	0	0	1335	905

THERE IS NO FURNISHED EXCAVATION QUANTITY IN THE 300 SERIES STATIONING

POROUS GRANULAR EMBANKMENT WORKSHEET

Station	Distance Between Stations (ft.)	Cut End Area (s.f.)	Cut Average End Area (s.f.)	Cut Volume (c.y.)	Cumulative Cut Volume (c.y.)	Fill End Area (s.f.)	Fill Average End Area (s.f.)	Fill Volume (c.y.)	Cumulative Fill Volume (c.y.)	Cumulative C&F Volume (c.y.)
300+04		0				0				
300+50	46	0	0	0	0	0	0	0	0	0
301+00	50	0	0	0	0	0	0	0	0	0
301+40	40	0	0	0	0	0	0	0	0	0
301+50	10	0	0	0	0	0	0	0	0	0
301+61	11	0	0	0	0	0	0	0	0	0
301+79	18	0	0	0	0	0	0	0	0	0
302+00	21	0	0	0	0	0	0	0	0	0
302+19	19	0	0	0	0	0	0	0	0	0
302+50	31	0	0	0	0	0	0	0	0	0
303+00	50	0	0	0	0	0	0	0	0	0
303+50	50	0	0	0	0	0	0	0	0	0
303+88	38	0	0	0	0	0	0	0	0	0
304+00	12	0	0	0	0	0	0	0	0	0
304+16	16	0	0	0	0	0	0	0	0	0
304+50	34	0	0	0	0	22	11	14	14	14
304+69	19	0	0	0	0	17	20	13	27	27
304+72	4	0	0	0	0	9	1	28	28	28
305+00	28	0	0	0	0	0	0	28	28	28
305+39	39	0	0	0	0	0	0	28	28	28
306+03	65	0	0	0	0	0	0	28	28	28
306+33	30	0	0	0	0	0	0	28	28	28
306+67	34	0	0	0	0	0	0	28	28	28
306+75	8	0	0	0	0	0	0	28	28	28



SHEET REVIEW	
AGENCY	DATE

REVISIONS		
NO.	ITEM	DATE

SCALE: Hor. 1"=5' Ver. 1"=5'
DRAWN BY: MS
CHECKED BY: JMH
DATE: AUGUST 13, 2010

McClure
Engineering Associates, Inc.
7282 Argus Drive Rockford, Illinois 61107-5837
(815) 398-2332 FAX (815) 398-2496
Design Firm License: Illinois 184-000816
Copyright 2010 By McClure Engineering Associates, Inc.

CROSS SECTIONS - 306+67.18
RIVERWALK MUSEUM CAMPUS
711 NORTH MAIN STREET ROCKFORD, IL
FILE:H:\08-008 RIVERWALK MUSEUM\DESIGN\DRAWINGS\08-008 XSEC FINAL.DWG JOB:04-28-10-008

H:\08-008 RIVERWALK MUSEUM\DESIGN\DRAWINGS\08-008 XSEC FINAL.DWG CROSS SECTIONS - 306+67.18, 11/1/2010 12:51:28 PM, J.L. JMH