

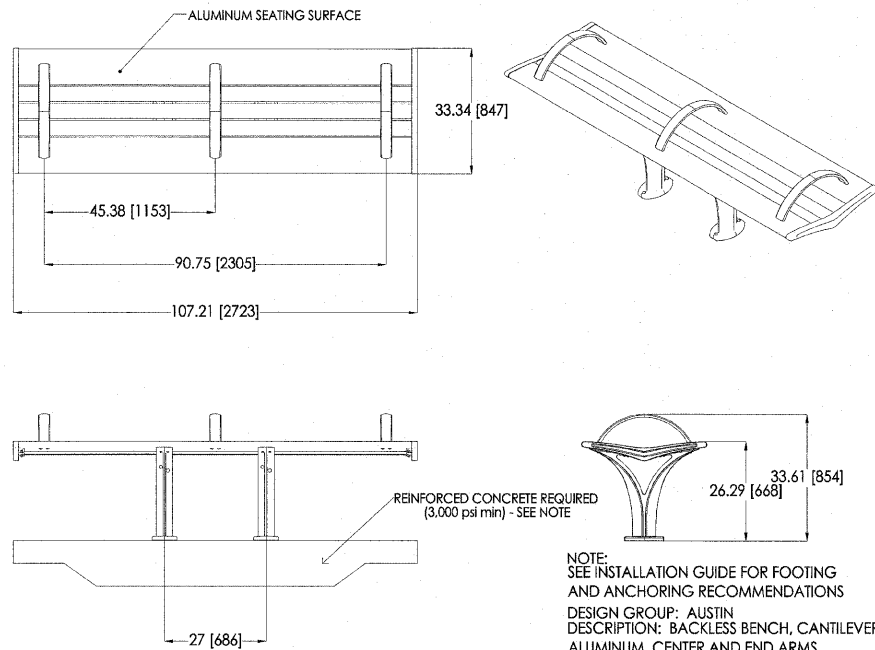
### landscapeforms®

431 LAWDALE AVE. PHONE: 800-521-2546  
KALAMAZOO, MI 49048 FAX: 269-381-3455

CONFIDENTIAL DRAWING INFORMATION CONTAINED HEREIN IS THE PROPERTY OF LANDSCAPE FORMS, INC. INTENDED USE IS LIMITED TO DESIGN PROFESSIONALS SPECIFYING LANDSCAPE FORMS, INC. PRODUCTS AND THEIR DIRECT CLIENTS. DRAWING IS NOT TO BE COPIED OR DISCLOSED TO OTHERS WITHOUT THE CONSENT OF LANDSCAPE FORMS, INC.  
© 2008 LANDSCAPE FORMS, INC. ALL RIGHTS RESERVED.

**1 BENCH WITH BACK**  
Scale: not to scale

d-austin bench AU454-03.dwg



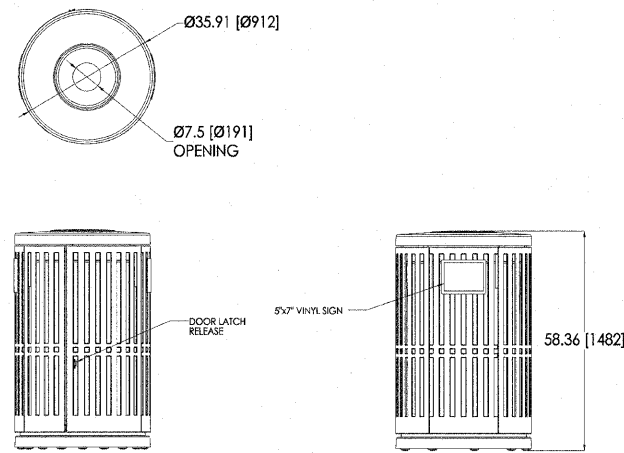
### landscapeforms®

431 LAWDALE AVE. PHONE: 800-521-2546  
KALAMAZOO, MI 49048 FAX: 269-381-3455

CONFIDENTIAL DRAWING INFORMATION CONTAINED HEREIN IS THE PROPERTY OF LANDSCAPE FORMS, INC. INTENDED USE IS LIMITED TO DESIGN PROFESSIONALS SPECIFYING LANDSCAPE FORMS, INC. PRODUCTS AND THEIR DIRECT CLIENTS. DRAWING IS NOT TO BE COPIED OR DISCLOSED TO OTHERS WITHOUT THE CONSENT OF LANDSCAPE FORMS, INC.  
© 2008 LANDSCAPE FORMS, INC. ALL RIGHTS RESERVED.

**2 BENCHES**  
Scale: not to scale

d-austin bench-backless AU454-03.dwg



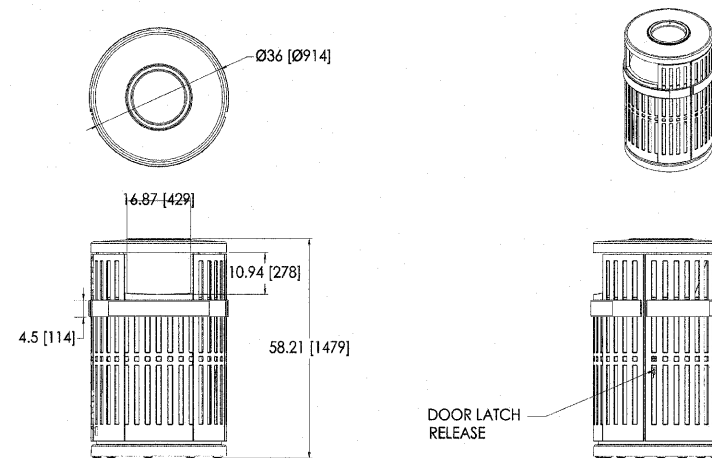
### landscapeforms®

431 LAWDALE AVE. PHONE: 800-521-2546  
KALAMAZOO, MI 49048 FAX: 269-381-3455

CONFIDENTIAL DRAWING INFORMATION CONTAINED HEREIN IS THE PROPERTY OF LANDSCAPE FORMS, INC. INTENDED USE IS LIMITED TO DESIGN PROFESSIONALS SPECIFYING LANDSCAPE FORMS, INC. PRODUCTS AND THEIR DIRECT CLIENTS. DRAWING IS NOT TO BE COPIED OR DISCLOSED TO OTHERS WITHOUT THE CONSENT OF LANDSCAPE FORMS, INC.  
© 2008 LANDSCAPE FORMS, INC. ALL RIGHTS RESERVED.

**3 RECYCLING RECEPTACLE**  
Scale: not to scale

d-recycle receptacle recycling-CP303-01-HOL.dwg



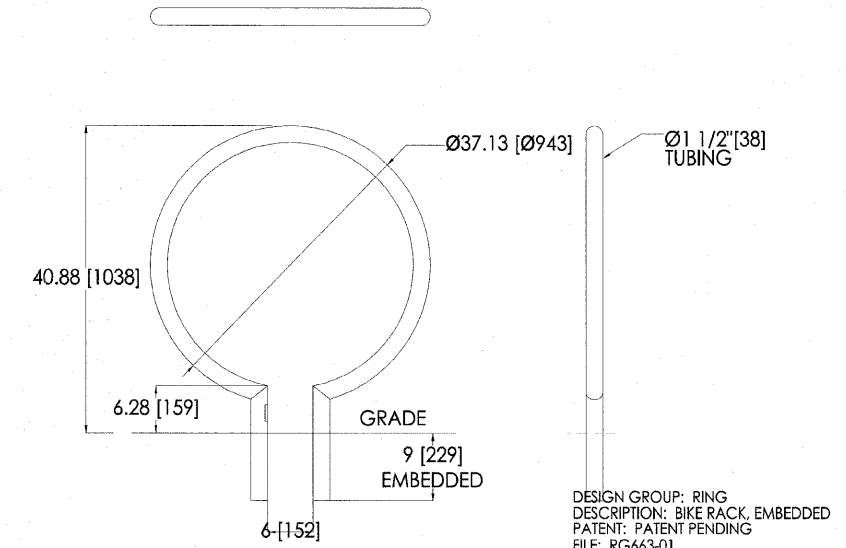
### landscapeforms®

431 LAWDALE AVE. PHONE: 800-521-2546  
KALAMAZOO, MI 49048 FAX: 269-381-3455

CONFIDENTIAL DRAWING INFORMATION CONTAINED HEREIN IS THE PROPERTY OF LANDSCAPE FORMS, INC. INTENDED USE IS LIMITED TO DESIGN PROFESSIONALS SPECIFYING LANDSCAPE FORMS, INC. PRODUCTS AND THEIR DIRECT CLIENTS. DRAWING IS NOT TO BE COPIED OR DISCLOSED TO OTHERS WITHOUT THE CONSENT OF LANDSCAPE FORMS, INC.  
© 2007 LANDSCAPE FORMS, INC. ALL RIGHTS RESERVED.

**4 TRASH RECEPTACLES**  
Scale: not to scale

d-recycle receptacle-filter-CP302-08.dwg



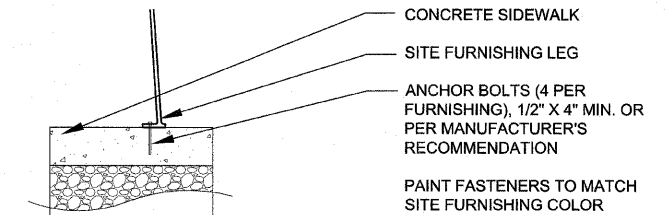
### landscapeforms®

431 LAWDALE AVE. PHONE: 800-521-2546  
KALAMAZOO, MI 49048 FAX: 269-381-3455

CONFIDENTIAL DRAWING INFORMATION CONTAINED HEREIN IS THE PROPERTY OF LANDSCAPE FORMS, INC. INTENDED USE IS LIMITED TO DESIGN PROFESSIONALS SPECIFYING LANDSCAPE FORMS, INC. PRODUCTS AND THEIR DIRECT CLIENTS. DRAWING IS NOT TO BE COPIED OR DISCLOSED TO OTHERS WITHOUT THE CONSENT OF LANDSCAPE FORMS, INC.  
© 2006 LANDSCAPE FORMS, INC. ALL RIGHTS RESERVED.

**5 BICYCLE RACKS**  
Scale: not to scale

d-bike rack



**6 SITE FURNISHING ATTACHMENT**  
Scale: 1" = 1'-0"

d-site furnishing-attach

NOTE: MODELS AND MANUFACTURER'S SHOWN ARE FOR ILLUSTRATIVE PURPOSES TO SHOW DESIGN INTENT. OTHER MANUFACTURER'S MAY BE ALLOWED IF SHOWN TO BE EQUAL IN QUALITY, FUNCTION AND STYLE AS APPROVED BY THE OWNER'S REPRESENTATIVE.

SHEET REVIEW	
AGENCY	DATE

REVISIONS		
NO.	ITEM	DATE

SCALE:	AS SHOWN
DRAWN BY:	MAF
CHECKED BY:	TCK
DATE:	9/3/2010

**McClure**  
Engineering Associates, Inc.  
7282 Argus Drive Rockford, Illinois 61107-5837  
(815) 398-2332 FAX (815) 398-2496  
Design Firm License: Illinois 184-000816  
Copyright 2010 By McClure Engineering Associates, Inc.

SITE FURNISHING DETAILS	
RIVERWALK MUSEUM CAMPUS	
711 NORTH MAIN STREET	ROCKFORD, IL
FILE:	JOB: 04-28-10-008