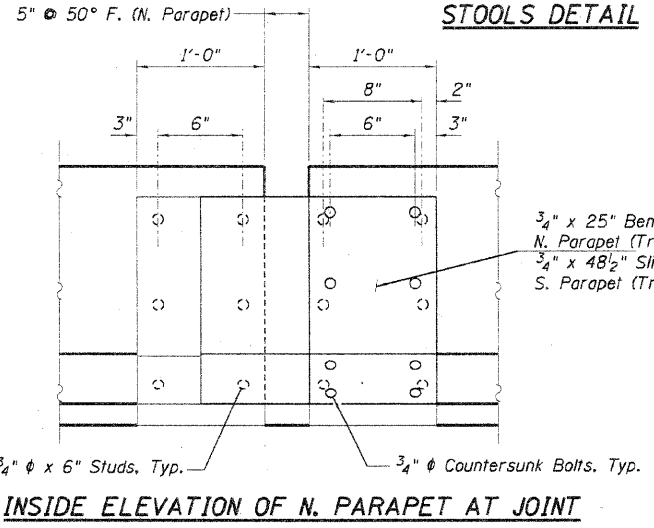
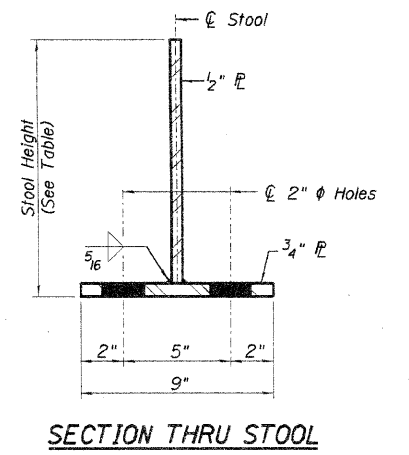
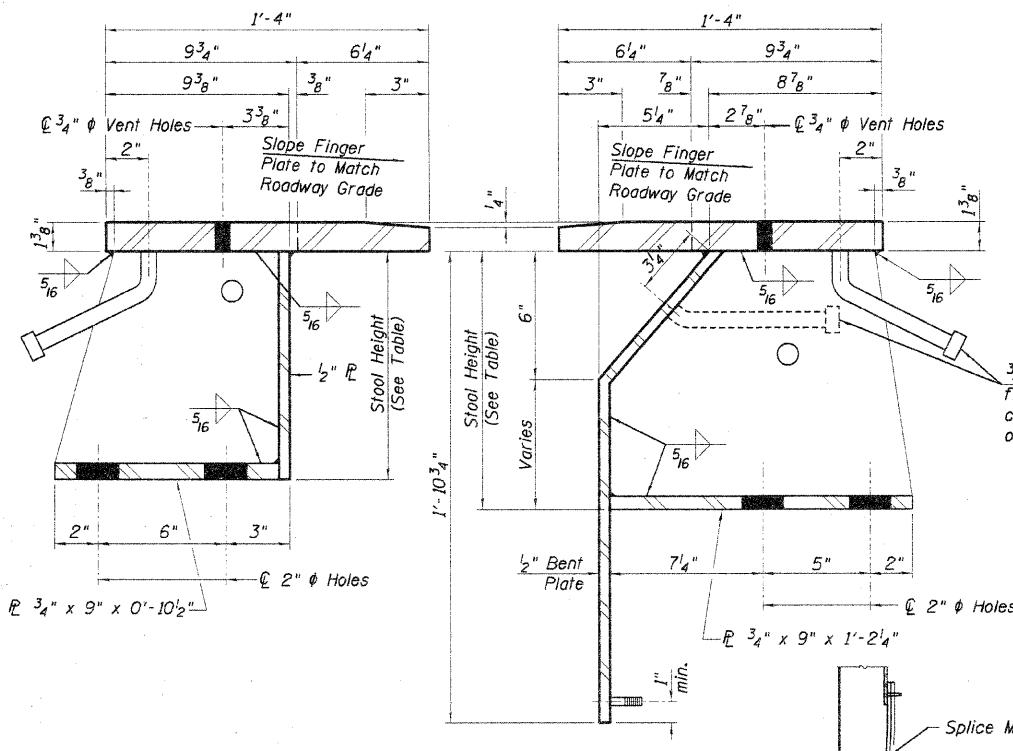
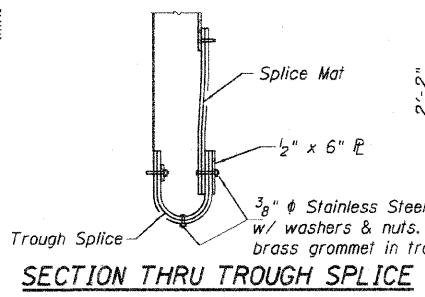


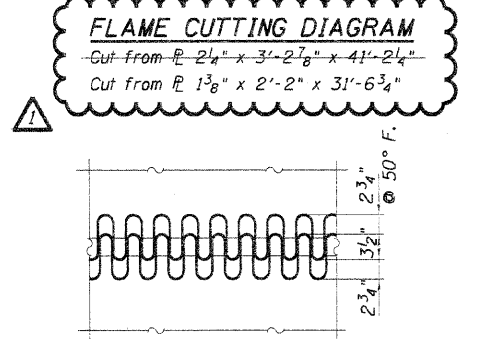
DETAIL 1



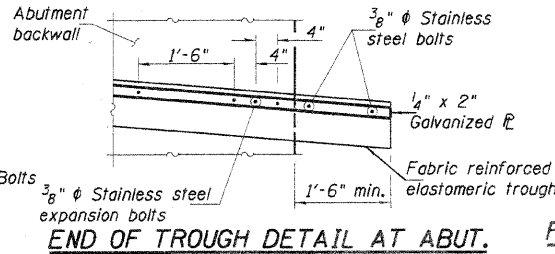
HORIZONTAL SECTION OF N. PARAPET AT JOINT



TROUGH SPLICE DETAIL



FINGER PLATE SETTING DIAGRAM



FINGER PLATE JOINT DETAIL  
STRUCTURE NUMBER 101-3100

- NOTES:
1. Work this sheet with Sheet 15 of 47.
  2. Provide 1-1/4", 1-1/8" and 1-1/16" shim plates for stools supported by girders and cross frames.

LAYOUT: JRP/SJK 08/23/10  
 DRAWING: MJA 10/25/10  
 REVIEWED: JRP/SJK 10/26/10

Revised 1-10-11  $\Delta$  ADDENDUM NO. 1

PROFESSIONAL DESIGN FIRM LICENSE #184-001084



DATE: 11/08/10	SHEET NO. 16
DATE: 03R1807	47 SHEETS

F.A.U. RTE. 5103	SECTION 03-00337-00-BR	COUNTY Winnebago	TOTAL SHEETS 66	SHEET NO. 31
CONTRACT NO. 85523			ILLINOIS FED. AID PROJECT	