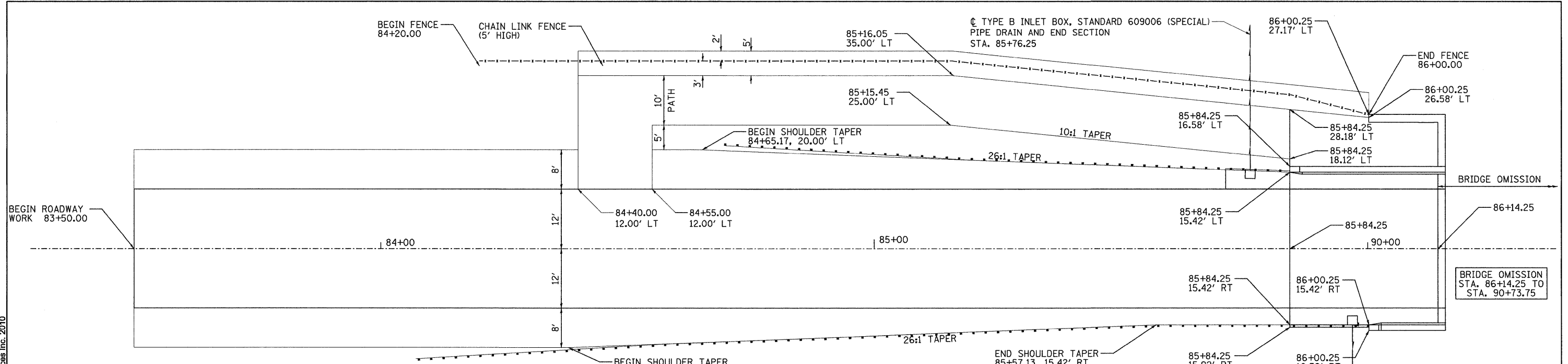
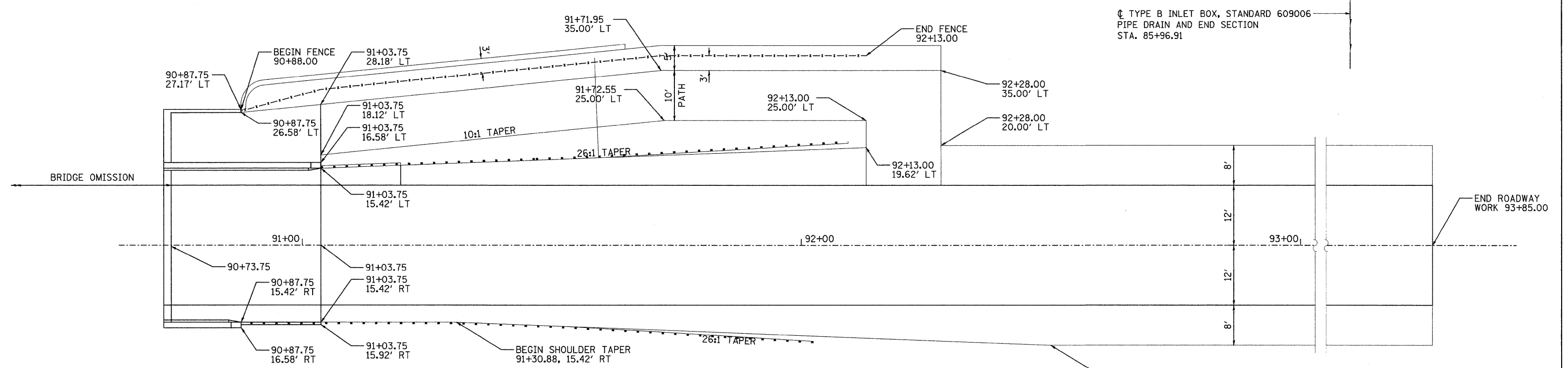




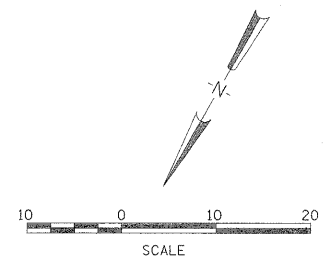
© Copyright Hanson Professional Services Inc. 2010



EAST MULTI-USE PATH PLAN



WEST MULTI-USE PATH PLAN



LAYOUT	
DRAWN	
REVIEWED	

FILE NAME = C-502-DET.dgn	USER NAME =	DESIGNED - MWH - 06/17/08	REVISED -
MODEL NAME =	PLOT SCALE =	DRAWN - MWH - 07/10/08	REVISED -
	PLOT DATE = 10/26/2010	CHECKED - DPA - 07/10/08	REVISED -
		DATE -	REVISED -

STATE OF ILLINOIS  
DEPARTMENT OF TRANSPORTATION

MULTI-USE PATH PLAN AND SECTION  
KISHWAUKEE RIVER BRIDGE  
WINNEBAGO COUNTY, ILLINOIS

SCALE: SHEET NO. OF SHEETS STA. TO STA.

F.A.U. RTE. 5103	SECTION 03-00337-00-BR	COUNTY WINNEBAGO	TOTAL SHEETS 66	SHEET NO. 9
FED. ROAD DIST. NO.		ILLINOIS FED. AID PROJECT		

CONTRACT NO. 85523