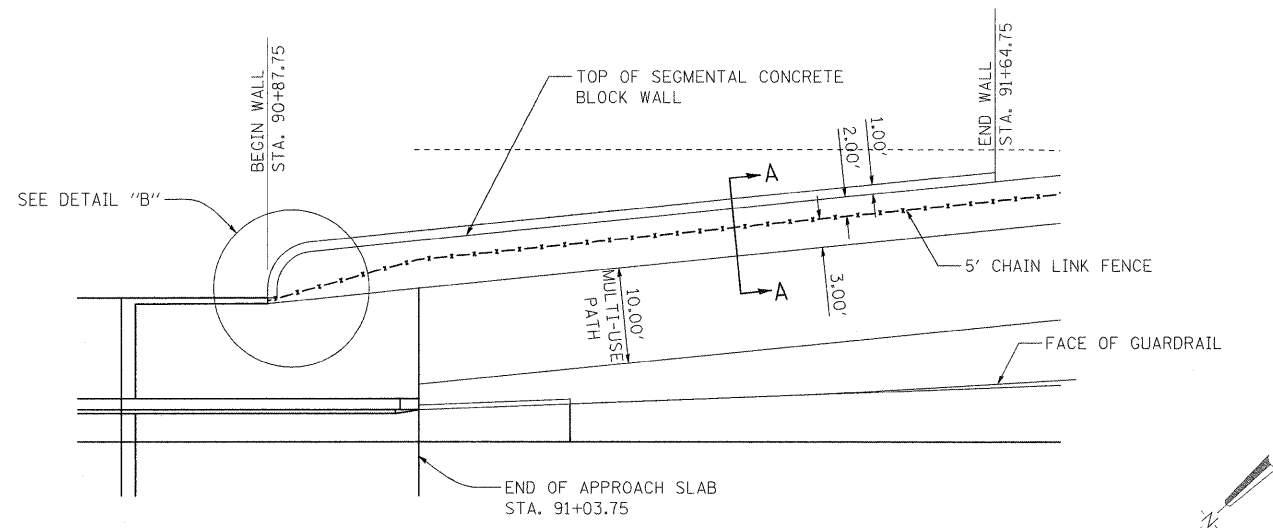
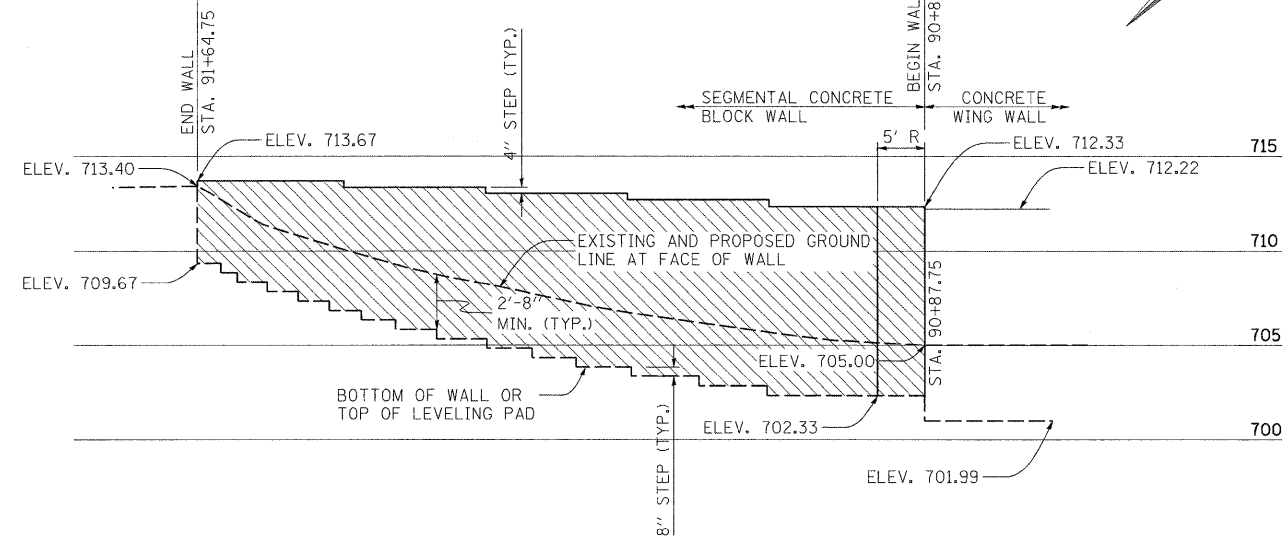




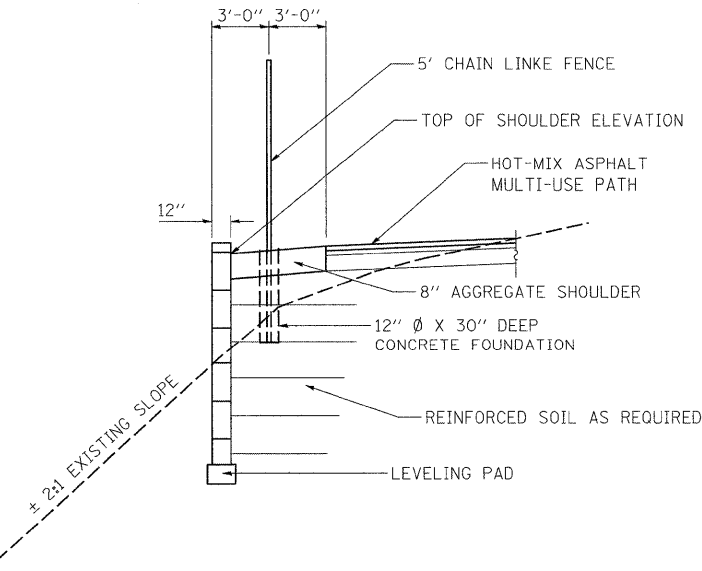
© Copyright Hanson Professional Services Inc. 2010



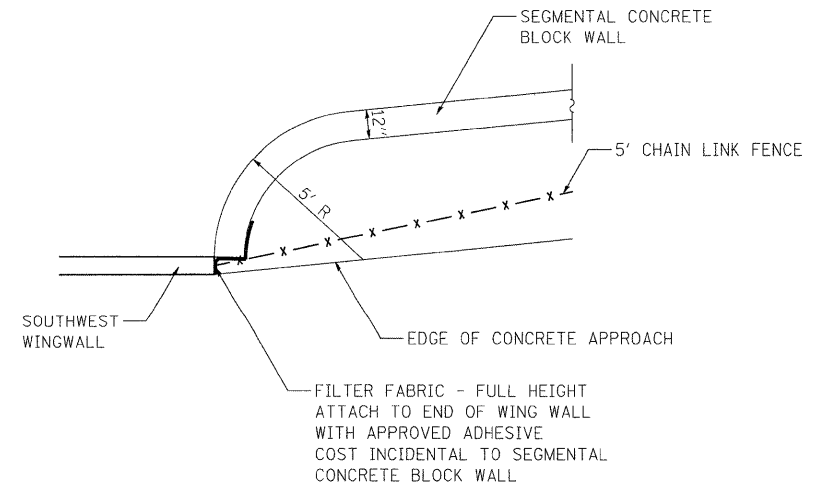
WALL PLAN



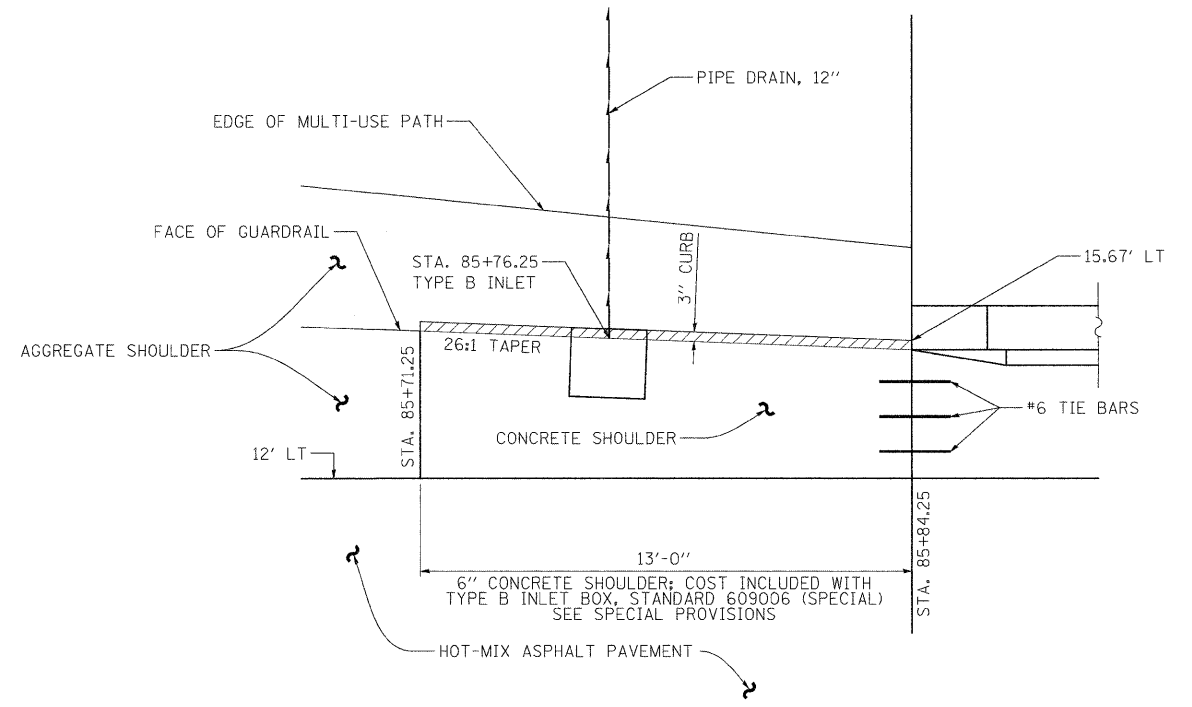
WALL ELEVATION (LOOKING NORTH)



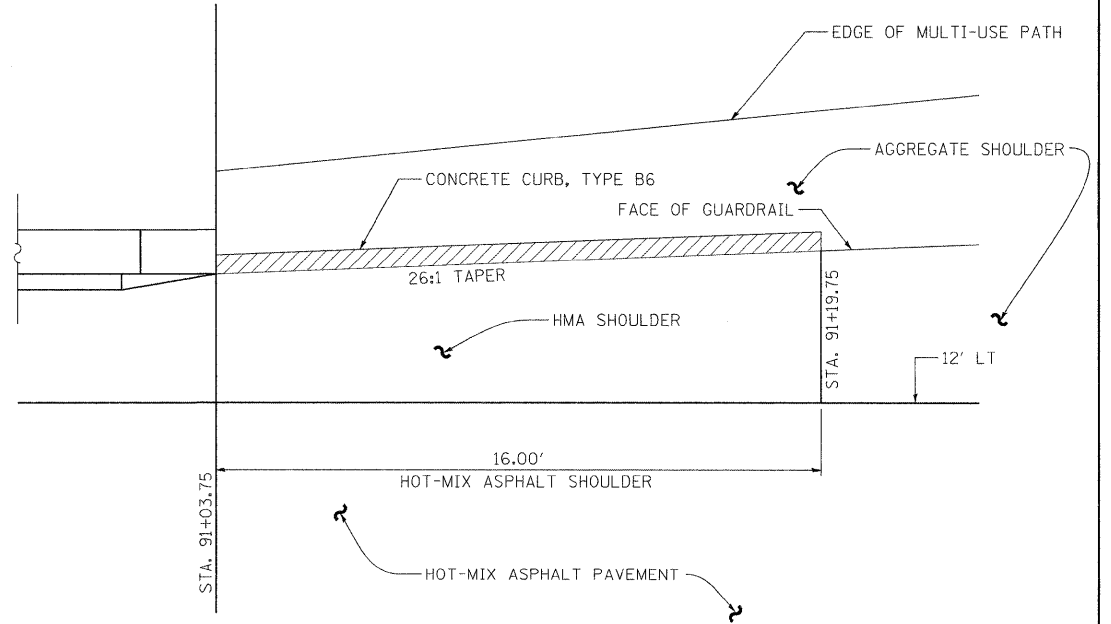
SECTION A-A



DETAIL "B"



DRAINAGE DETAIL (SOUTH EAST CORNER)



DRAINAGE DETAIL (SOUTH WEST CORNER)

LAYOUT	
DRAWN	
REVIEWED	

FILE NAME =	C-503-MISC_DET.dgn
MODEL NAME =	

USER NAME =	
PLOT SCALE =	
PLOT DATE =	10/26/2010

DESIGNED -	
DRAWN -	
CHECKED -	
DATE -	

REVISED -	
REVISED -	
REVISED -	
REVISED -	

**STATE OF ILLINOIS
DEPARTMENT OF TRANSPORTATION**

**MISCELLANEOUS ROADWAY DETAILS
KISHWAUKEE RIVER BRIDGE
WINNEBAGO COUNTY, ILLINOIS**

SCALE: SHEET NO. OF SHEETS STA. TO STA.

F.A.U. RTE.	SECTION	COUNTY	TOTAL SHEETS	SHEET NO.
5103	03-00337-00-BR	WINNEBAGO	66	10
FED. ROAD DIST. NO. ILLINOIS FED. AID PROJECT			CONTRACT NO. 85523	