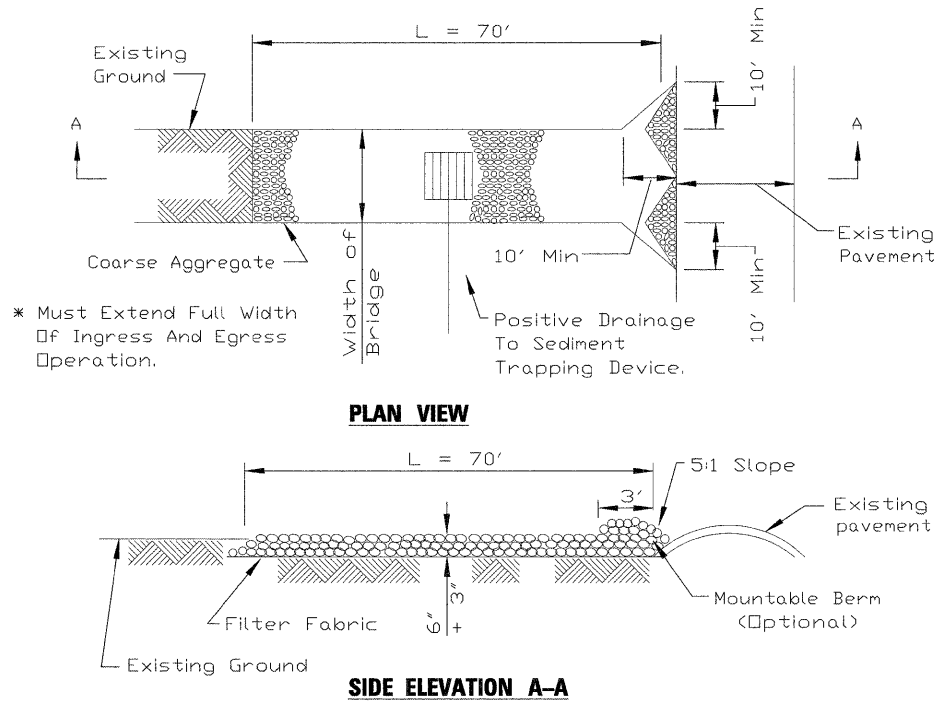


DETAIL 1

NOTES:

1. Staples shall be placed in a diamond pattern at 2 per s.y. for stitched blankets. Non-stitched shall use 4 staples per s.y. of material. This equates to 200 staples with stitched blanket and 400 staples with non-stitched blanket per 100 s.y. of material.
2. Staple or push pin lengths shall be selected based on soil type and conditions. (minimum staple length is 6")
3. Erosion control material shall be placed in contact with the soil over a prepared seedbed.
4. All anchor slots shall be stapled at approximately 12" intervals.

EROSION CONTROL BLANKET INSTALLATION DETAILS

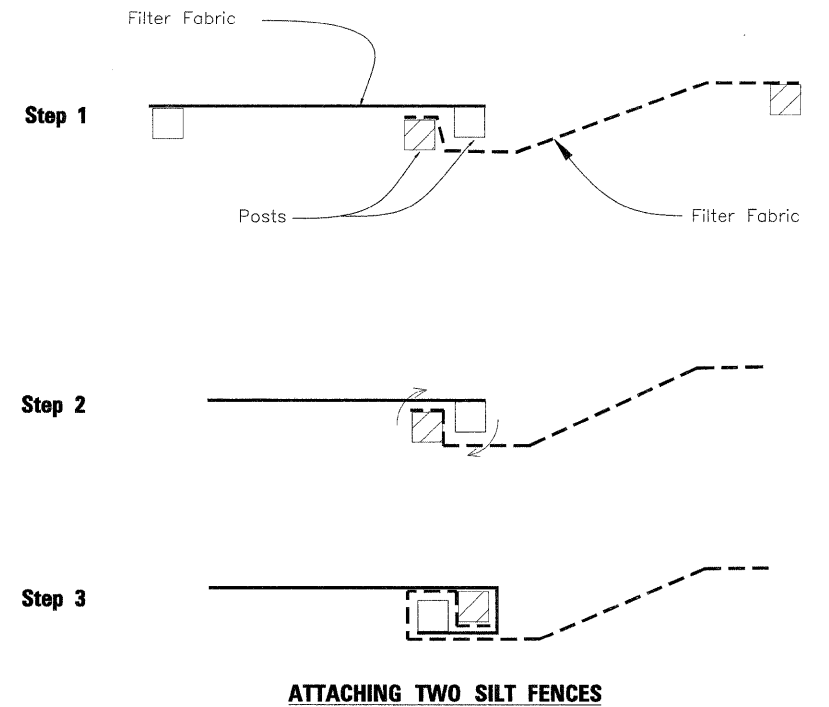


NOTES:

1. Filter fabric shall meet the requirements of article 1080.03 of the Standard specifications, gradation 4 & 5, and shall be placed over the cleared area prior to the placing of rock.
2. Rock or reclaimed concrete shall meet one of the following IDOT coarse aggregate gradation, CA-1, CA-2, CA-3 or CA-4 and be placed according to articles 351.05 and 351.07

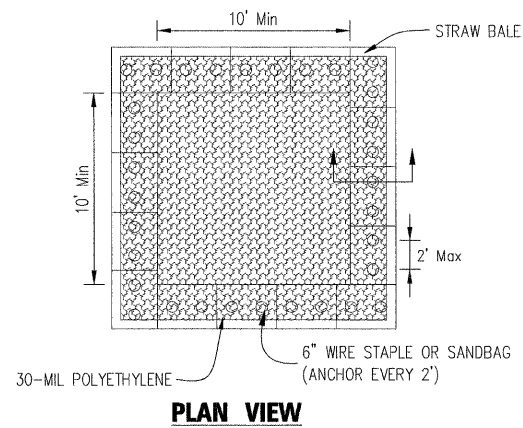
III

STABILIZED CONSTRUCTION ENTRANCE PLAN



NOTES:

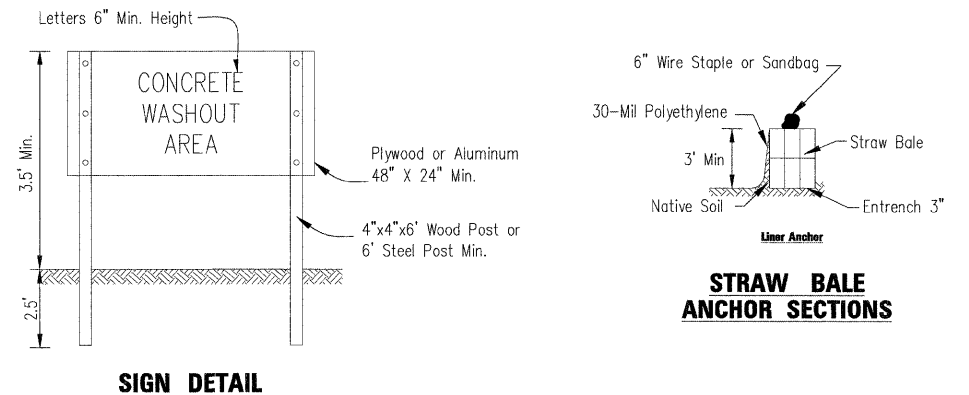
1. Place the end post of the second fence inside the end post of the first fence.
2. Rotate both posts at least 180 degrees in a clockwise direction to create a tight seal with the fabric material.
3. Drive both posts a minimum of 18 inches into the ground and bury the flap.



NOTES:

1. Maintaining temporary concrete washout facilities shall include removing and disposing of hardened concrete and/or slurry and returning the washout to a functional condition at the end of the project.
2. Washout shall be cleaned or reconstructed in a new area once washout becomes two-thirds full.
3. Each straw bale is to be staked in place using (2) 2"x2"x4' wooden stakes.

TEMPORARY CONCRETE WASHOUT FACILITY - STRAW BALE



FILE NAME = C-102-ERO.dgn	USER NAME =	DESIGNED -	REVISED -	STATE OF ILLINOIS DEPARTMENT OF TRANSPORTATION	EROSION CONTROL PLAN (DETAILS) KISHWAUKEE RIVER BRIDGE WINNEBAGO COUNTY, IL	F.A.U. RTE. = 5103	SECTION = 03-00337-00-BR	COUNTY = WINNEBAGO	TOTAL SHEETS = 66	SHEET NO. = 12		
MODEL NAME =	PLOT SCALE =	CHECKED -	REVISED -			SCALE:	SHEET NO. OF SHEETS	STA. TO STA.	CONTRACT NO. 85523			
	PLOT DATE = 10/26/2010	DATE -	REVISED -			FED. ROAD DIST. NO. ILLINOIS FED. AID PROJECT						