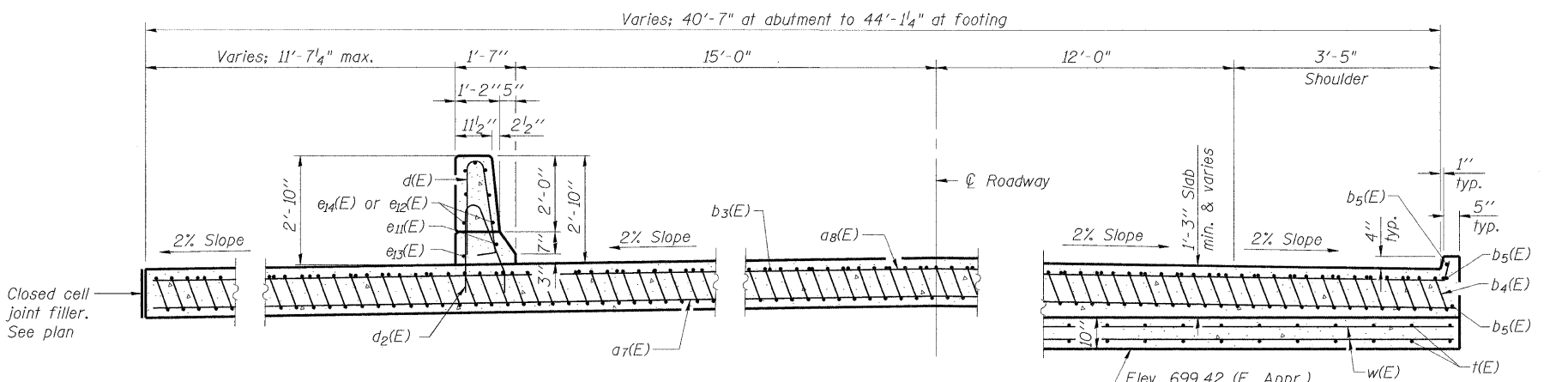


SECTION C-C

Notes:
 See sheet 12 of 47 for Detail A and View B-B.
 Approach slab and parapet concrete shall be paid for as Concrete Superstructure.
 Approach footing concrete shall be paid for as Concrete Structures.
 Reinforcement shall be paid for as Reinforcement Bars, Epoxy Coated.
 For $v_{10}(E)$ or $v_{40}(E)$ bar details, see sheets 27 and 30 of 47.
 The approach footing maximum applied service bearing pressure (Q_{max}) = 2.0 ksf.
 For bar splicer details, see sheet 33 of 47.
 Cost of excavation for approach footing included with Concrete Structures.
 For Porous Granular Embankment (Special) and drainage treatment details, see sheet 2 of 47.
 For additional parapet details, see sheets 9 and 10 of 47.

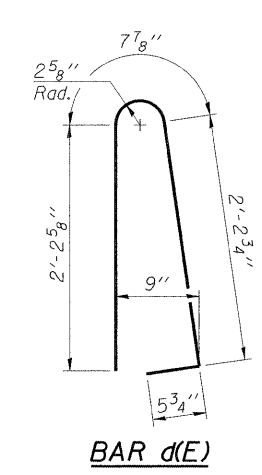


NEAR ABUTMENT

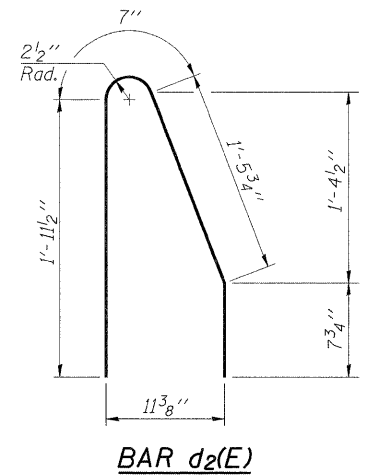
SECTION D-D

(See Plan for dimensions not shown)

Elev. 699.42 (E. Appr.)
 Elev. 710.27 (W. Appr.)
 (Level out to out)
AT APPROACH FOOTING



BAR d(E)

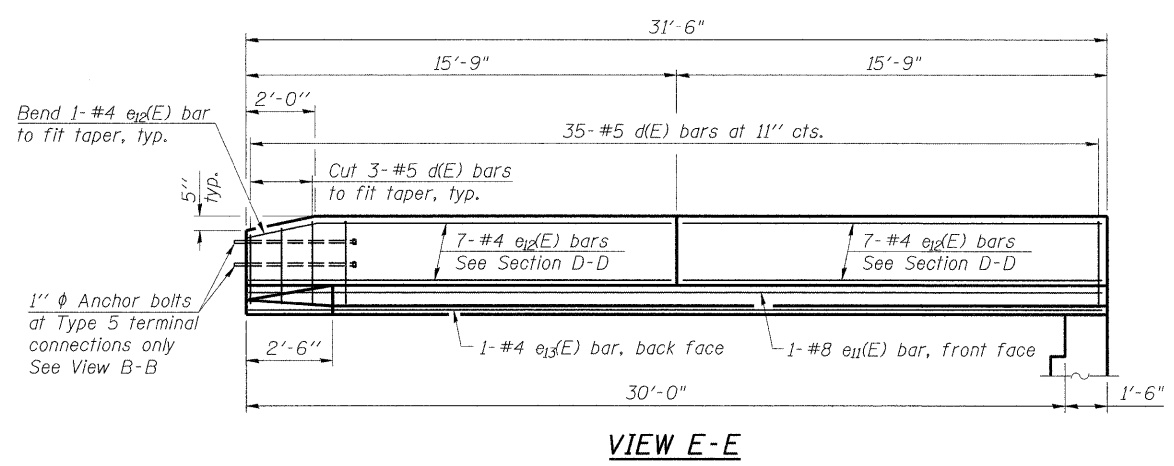


BAR d2(E)

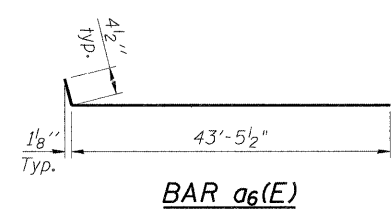
* Tilt #9 $b_4(E)$ bars as required to maintain clearance.
 *** Cost included with Concrete Superstructure.

**TWO APPROACHES
 BILL OF MATERIAL**

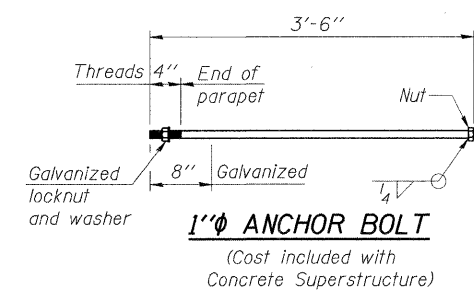
Bar	No.	Size	Length	Shape
$a_6(E)$	26	#4	43'-10"	—
$a_7(E)$	44	#5	40'-3"	—
$a_8(E)$	24	#4	40'-3"	—
$a_9(E)$	48	#5	43'-9"	—
$b_3(E)$	70	#4	29'-8"	—
$b_4(E)$	198	#9	29'-9"	—
$b_5(E)$	6	#4	15'-8"	—
$d(E)$	70	#5	5'-7"	—
$d_2(E)$	66	#5	4'-8"	—
$e_{11}(E)$	2	#8	31'-3"	—
$e_{12}(E)$	14	#4	15'-6"	—
$e_{13}(E)$	2	#4	31'-3"	—
$e_{14}(E)$	14	#4	15'-1"	—
$f(E)$	180	#4	9'-8"	—
$w(E)$	80	#5	43'-9"	—
Concrete Superstructure			Cu. Yd.	134.3
Concrete Structures			Cu. Yd.	27.0
Reinforcement Bars, Epoxy Coated			Pound	32,960
Bridge Deck Grooving			Sq. Yd.	187
Protective Coat			Sq. Yd.	344



VIEW E-E

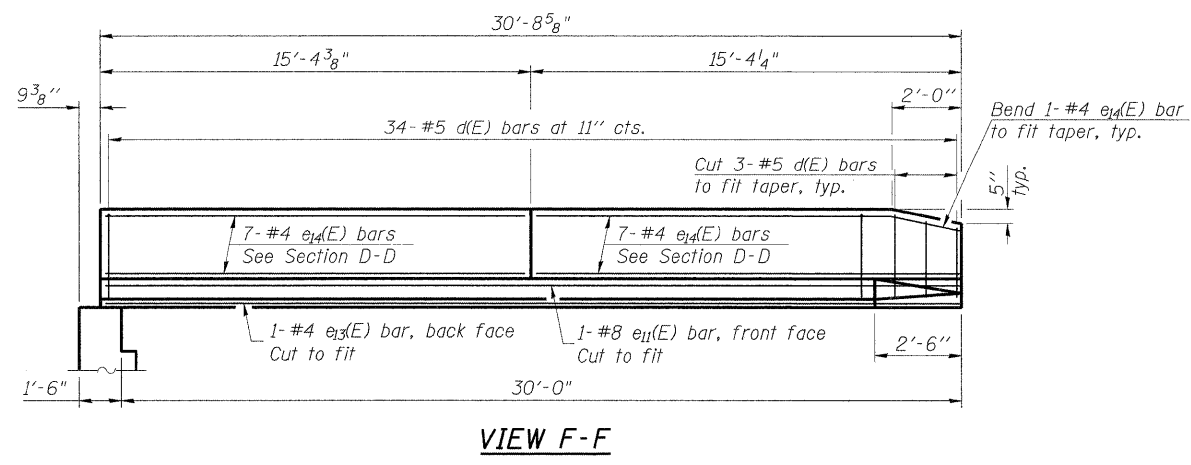


BAR a6(E)

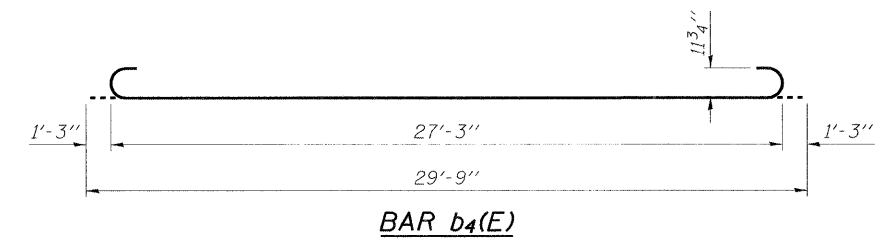


1" ANCHOR BOLT

(Cost included with Concrete Superstructure)



VIEW F-F



BAR b4(E)

**BRIDGE APPROACH SLAB DETAILS
 STRUCTURE NUMBER 101-3100**

PROFESSIONAL DESIGN FIRM LICENSE #184-001084

© Copyright Hanson Professional Services Inc. 2010



JOB NO. 03R1807
 SHEET NO. 13
 DATE 10/26/10
 47 SHEETS

F.A.U. RTE.	SECTION	COUNTY	TOTAL SHEETS	SHEET NO.
5103	03-00337-00-BR	Winnebago	66	28
CONTRACT NO. 85523			ILLINOIS FED. AID PROJECT	

10/26/2010
 LAYOUT: LKR/SMK/08/23/10
 DRAWN: MCM/10/25/10
 REVIEWED: LKR/SMK/10/26/10