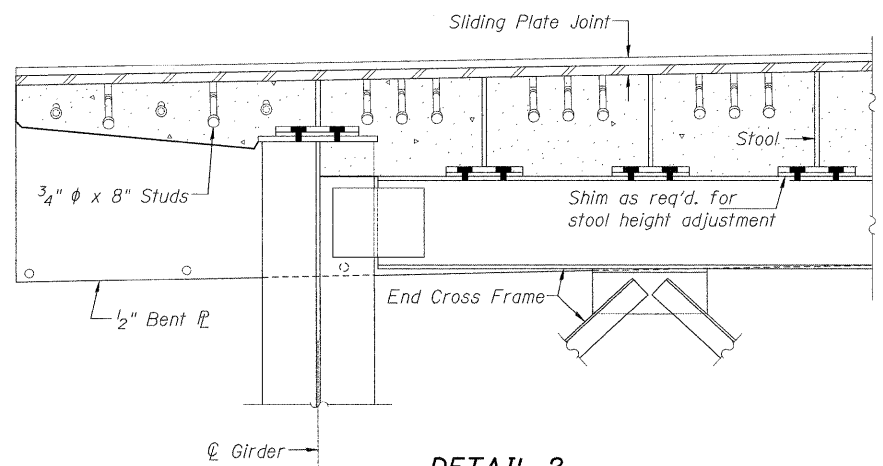
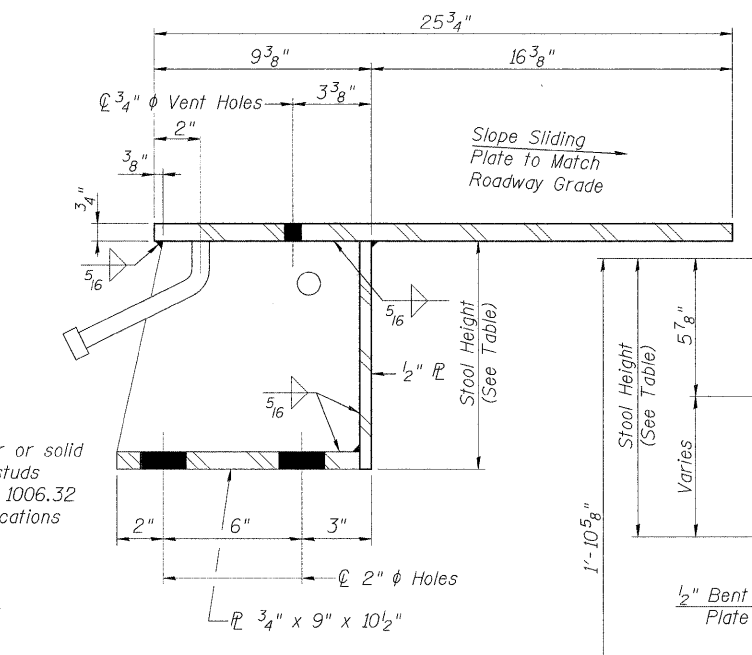


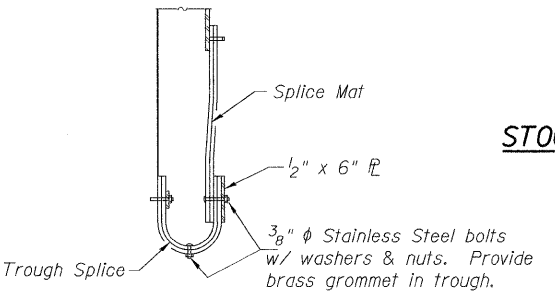
SECTION C-C
(At Right Angles to Bk. of Abut.)
Horizontal dimensions are at 50° F.



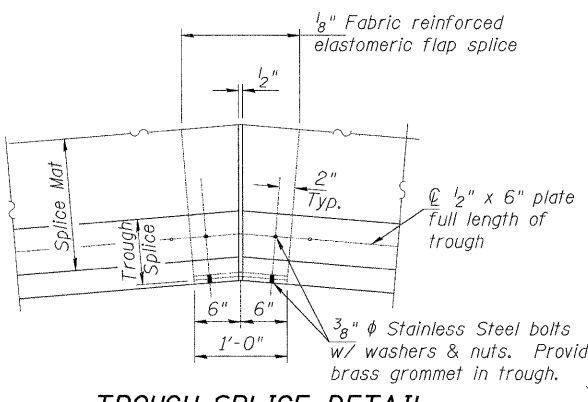
DETAIL 2



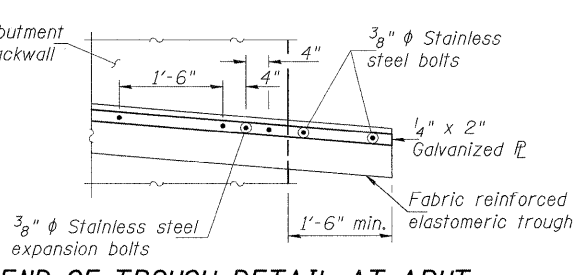
STOOLS DETAIL



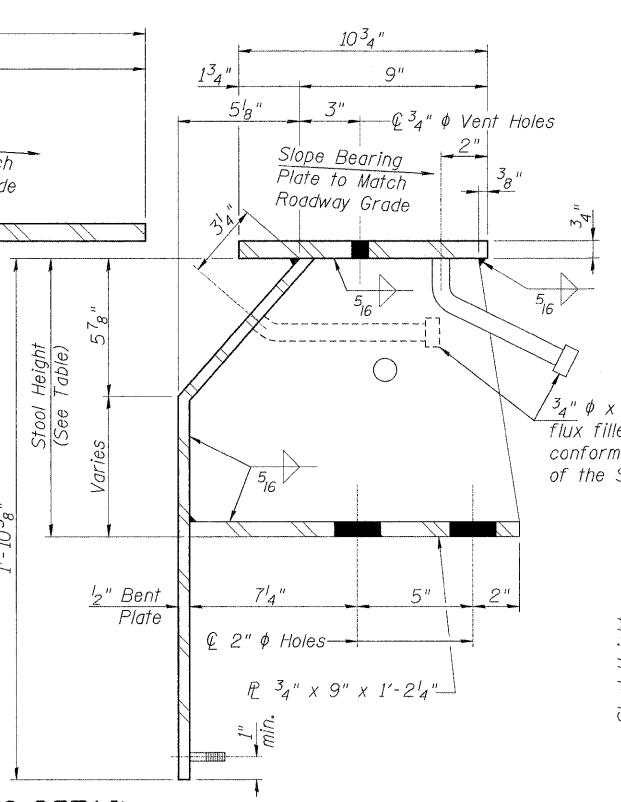
SECTION THRU TROUGH SPLICE



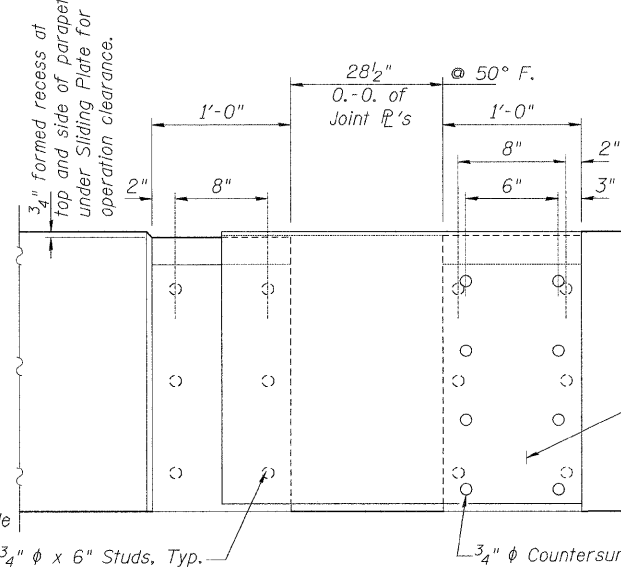
TROUGH SPLICE DETAIL



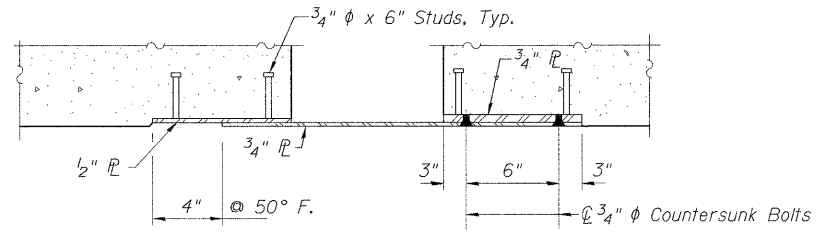
END OF TROUGH DETAIL AT ABUT.



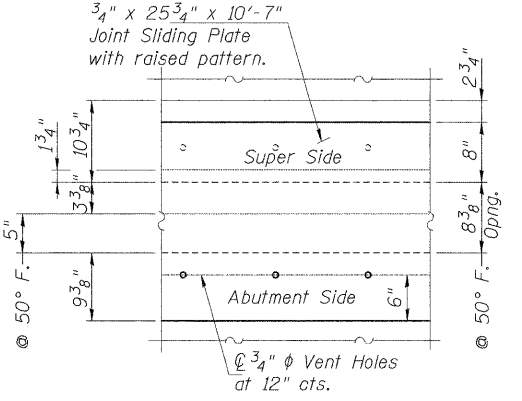
SECTION THRU STOOL



INSIDE ELEVATION OF S. PARAPET AT JOINT

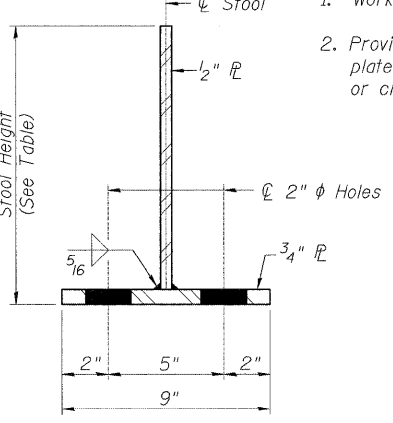


HORIZONTAL SECTION OF S. PARAPET AT JOINT



FINGER PLATE SETTING DIAGRAM

- NOTES:
1. Work this sheet with Sheet ___ of ___
2. Provide 1-1/4", 1-1/8" and 1-1/16" shim plates for stools supported by girders or cross frames.



DETAIL 3

STRUCTURE NUMBER 101-3100

PROFESSIONAL DESIGN FIRM LICENSE #184-001084		SHEET NO. 17		F.A.U. RTE. 5103	SECTION 03-00337-00-BR	COUNTY Winnebago	TOTAL SHEETS 66	SHEET NO. 32
© Copyright Hanson Professional Services Inc. 2010		JOB NO. 03R1807	DATE 10/26/10	47 SHEETS		CONTRACT NO. 85523		
ILLINOIS FED. AID PROJECT								



10/26/2010
 LAYOUT JKR/SMK/08/23/10
 DRAWING MOM 10/25/10
 REVIEWED JKR/SMK/10/26/10