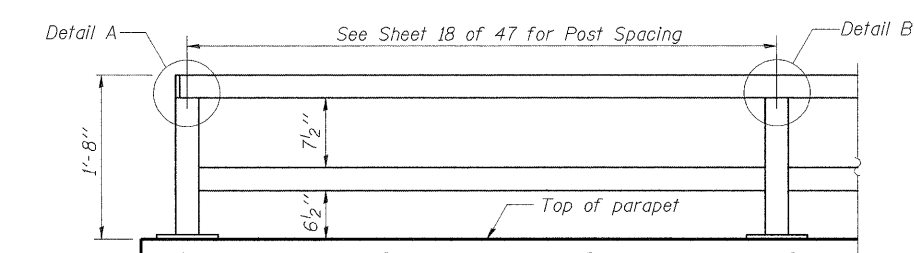
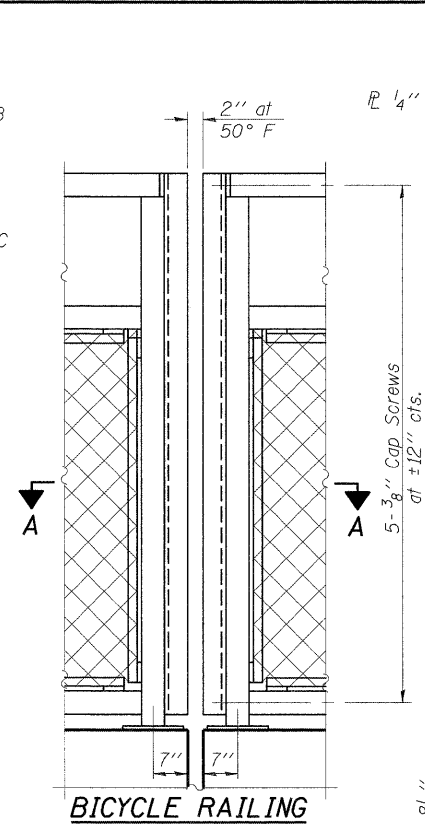


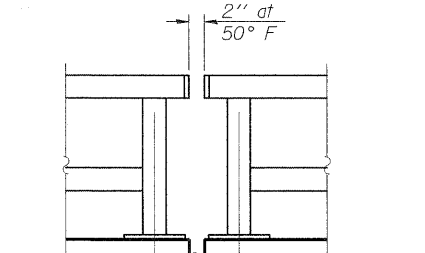
**BICYCLE RAILING**



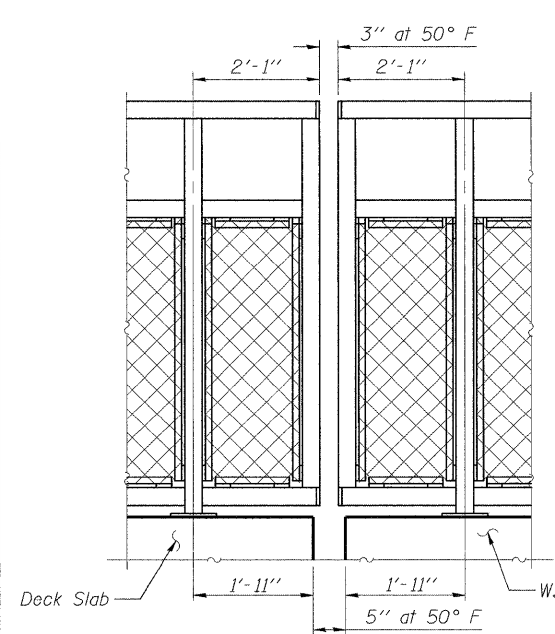
**PARAPET RAILING ELEVATION**



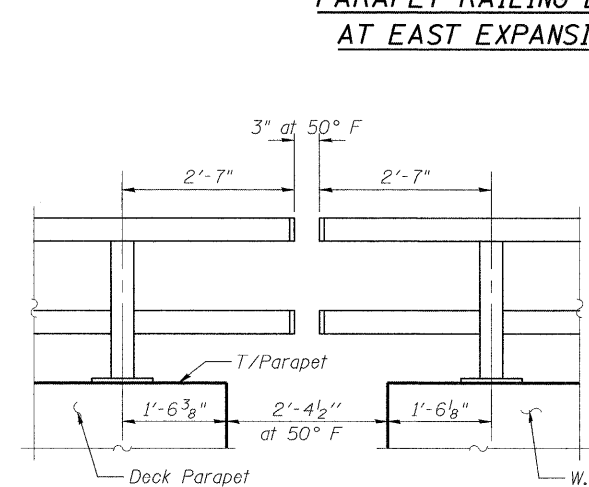
**BICYCLE RAILING**



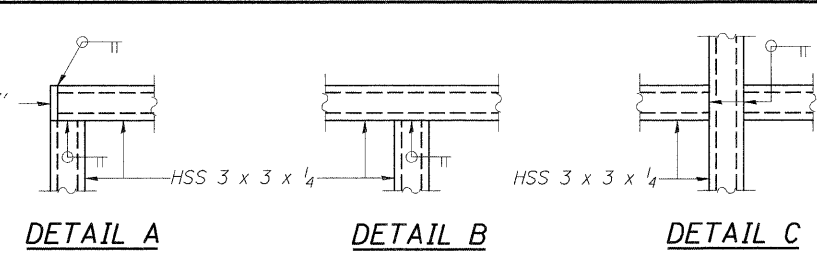
**PARAPET RAILING ELEVATION AT EAST EXPANSION JOINT**



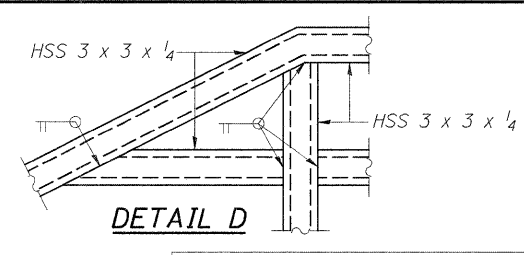
**BICYCLE RAILING ELEVATION AT WEST EXPANSION JOINT**



**PARAPET RAILING ELEVATION AT WEST EXPANSION JOINT**

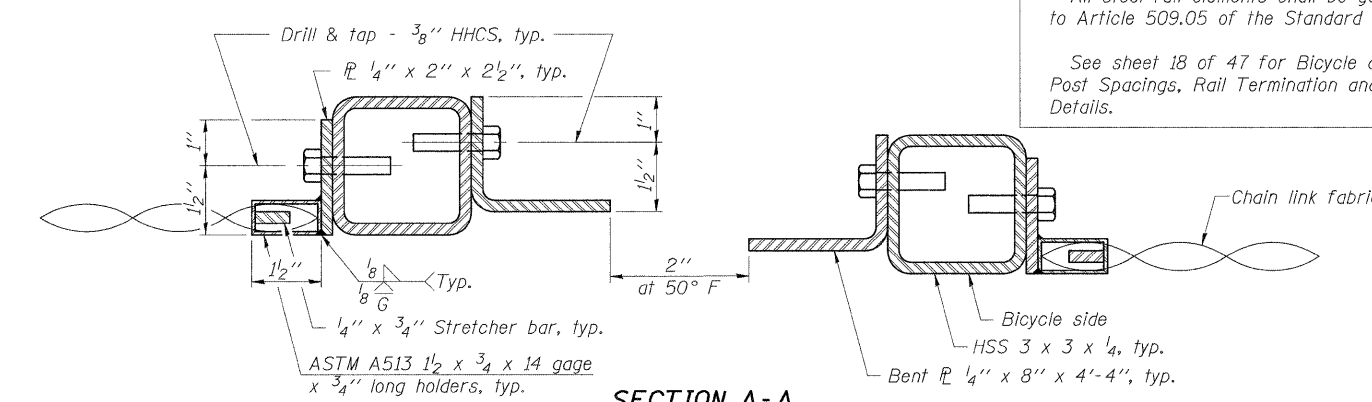


**DETAIL A DETAIL B DETAIL C**

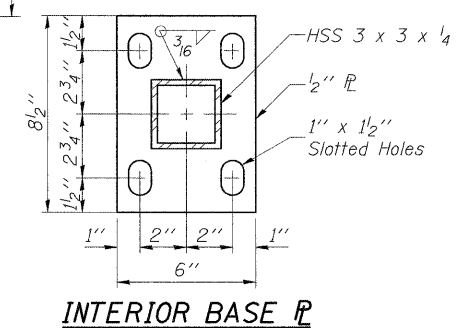


**DETAIL D**

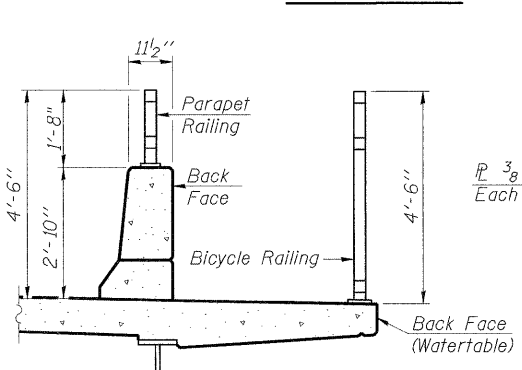
All steel rail elements shall be galvanized according to Article 509.05 of the Standard Specifications.  
See sheet 18 of 47 for Bicycle and Parapet Rail Post Spacings, Rail Termination and End Treatment Details.



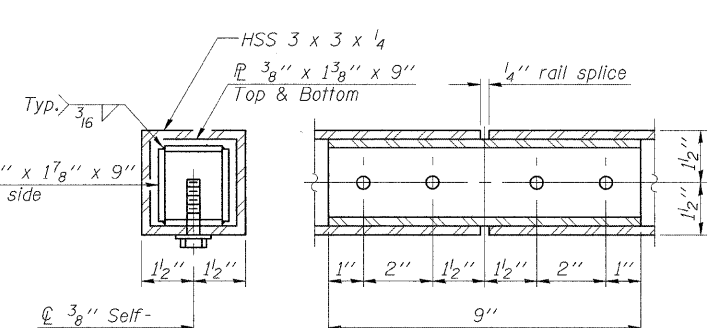
**SECTION A-A**



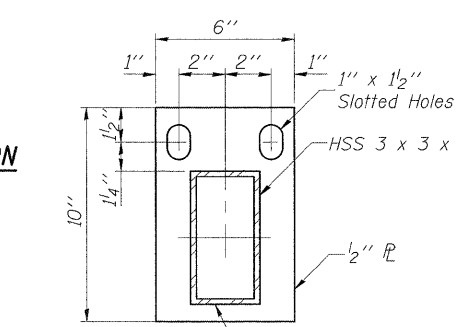
**INTERIOR BASE R**



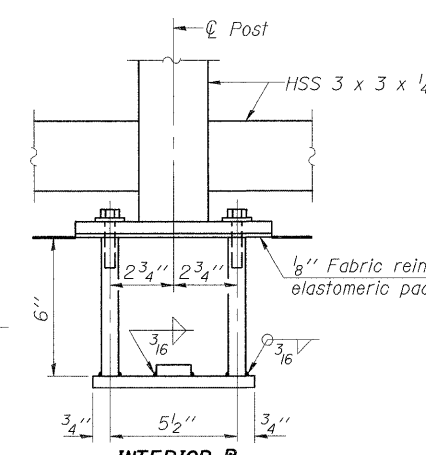
**SECTION THRU DECK (Looking East)**



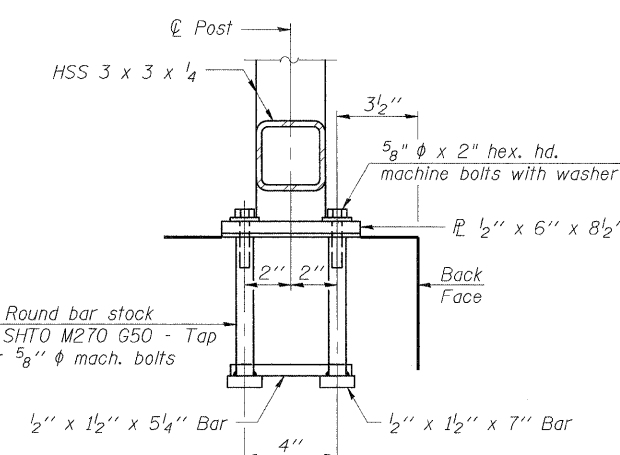
**RAIL SPLICE**



**END BASE R**



**INTERIOR R**



**ANCHOR BOLT DETAILS**

In lieu of the cast-in-place anchor device shown, the Contractor has the option of drilling and setting 5/8 inch diameter anchor rods according to Article 509.06 of the Standard Specifications. Embedment shall be according to the manufacturer's specifications.

**BILL OF MATERIAL**

Item	Unit	Quantity
Bicycle Railing	Foot	486.6
Parapet Railing	Foot	514.5

PROFESSIONAL DESIGN FIRM LICENSE #184-001084



JOB NO. 03R1807  
DATE 10/26/10  
SHEET NO. 19  
47 SHEETS

F.A.U. RTE.	SECTION	COUNTY	TOTAL SHEETS	SHEET NO.
5103	03-00337-00-BR	Winnebago	66	34
CONTRACT NO. 85523				
ILLINOIS FED. AID PROJECT				

LAYOUT: JKR/SWK/08/23/10  
 DRAWING: MOM 10/25/10  
 REVIEWED: JKR/SWK/10/26/10