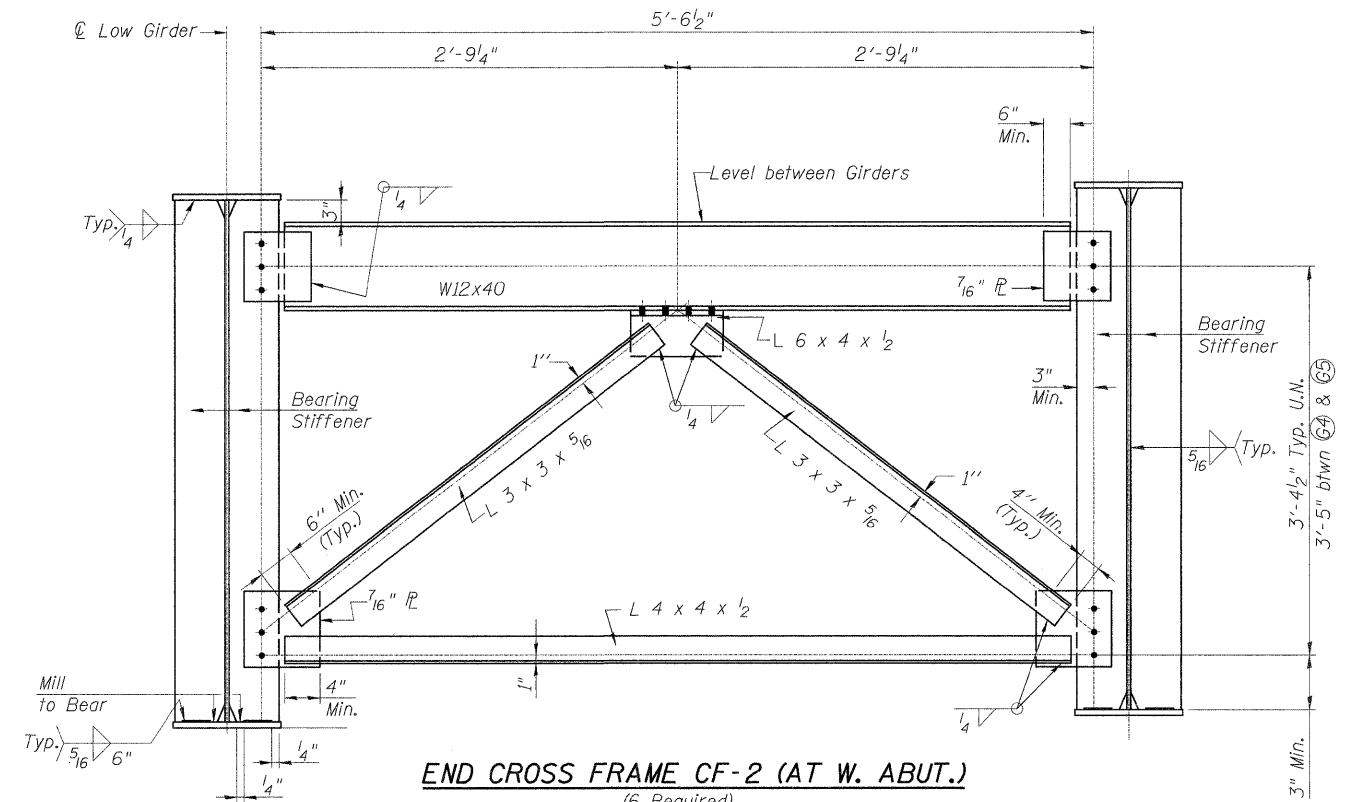


**END CROSS FRAME CF-1 (AT E. ABUT.)**  
(6 Required)

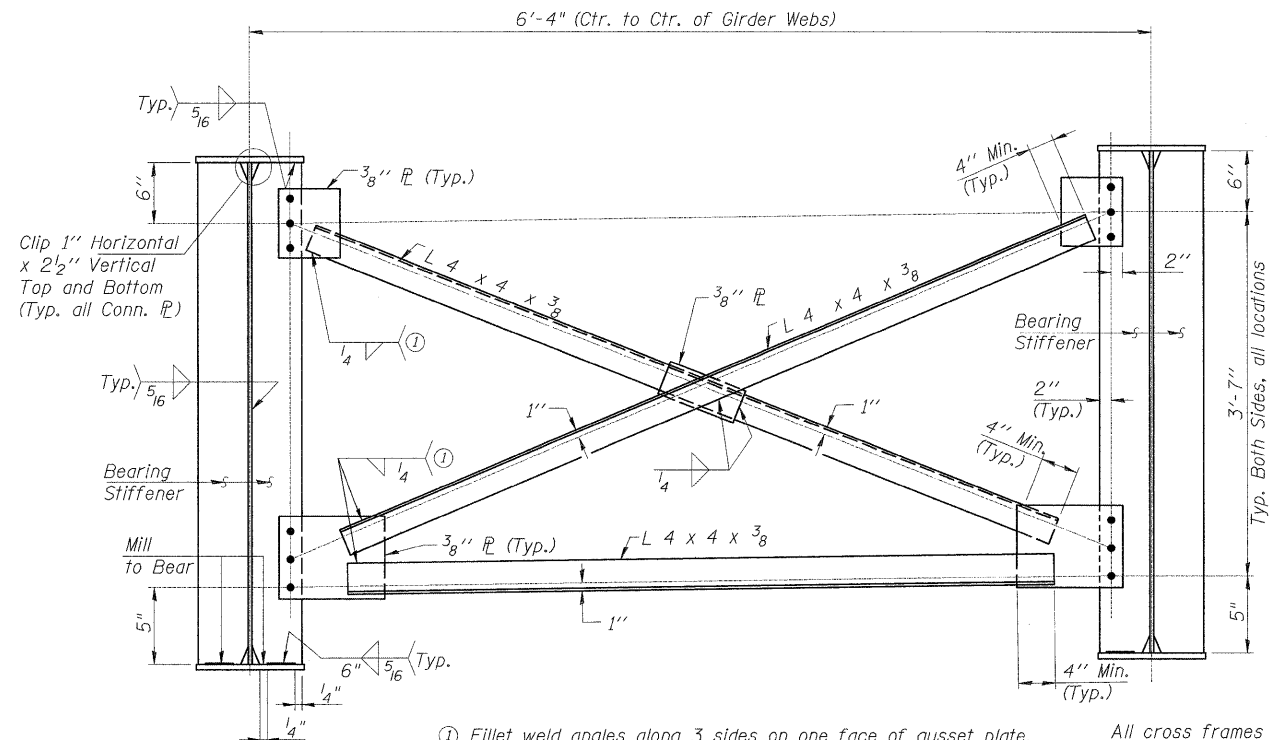
Place diaphragm with projected legs outward from abutment backwall.



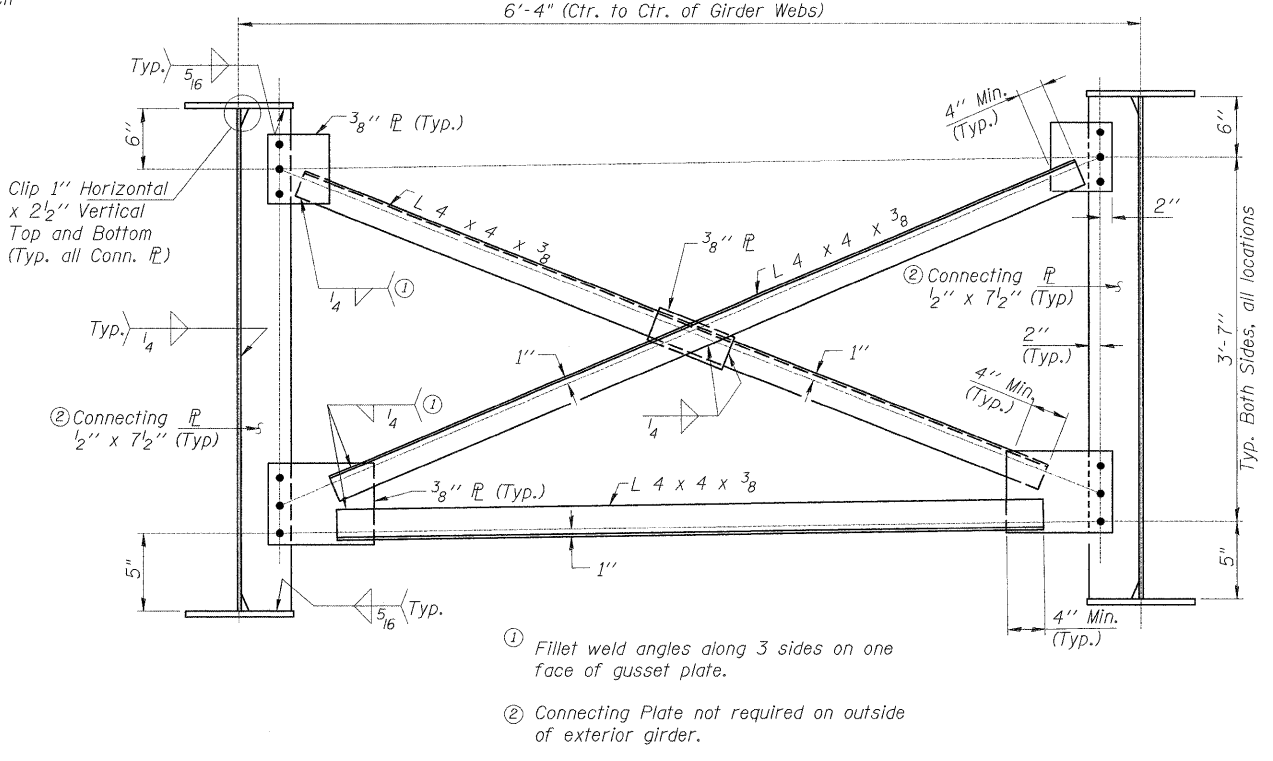
**END CROSS FRAME CF-2 (AT W. ABUT.)**  
(6 Required)

Place diaphragm with projected legs outward from abutment backwall.

Note:  
Provide 1 5/16" φ holes for 3/4" φ High Strength Bolts with 1-Nut and 2-Hardened Washers each (Typical for all Cross Frame Connections).



**INTERIOR CROSS FRAME CF-3 (AT PIERS)**  
(12 Required)



**INTERIOR CROSS FRAME CF-4**  
(96 Required)

All cross frames or diaphragms shall be installed as steel is erected and secured with erection pins and bolts except as otherwise noted. Individual cross frames or diaphragms at supports may be temporarily disconnected to install bearing anchor rods.  
All cross frame members, except bearing stiffeners, shall be AASHTO M270, Grade 36.

**CROSS FRAME DETAILS**  
**STRUCTURE NUMBER 101-3100**

PROFESSIONAL DESIGN FIRM LICENSE #184-001084

© Copyright Hanson Professional Services Inc. 2010



JOB NO. 03R1807  
DATE 10/26/10

SHEET NO. 21  
47 SHEETS

F.A.U. RTE.	SECTION	COUNTY	TOTAL SHEETS	SHEET NO.
5103	03-00337-00-BR	Winnebago	66	36
CONTRACT NO. 85523				
ILLINOIS FED. AID PROJECT				

10/26/2010  
 LKR/SML/06/23/10  
 DRAWN 10/25/10  
 REVIEWED LKR/SML/10/26/10