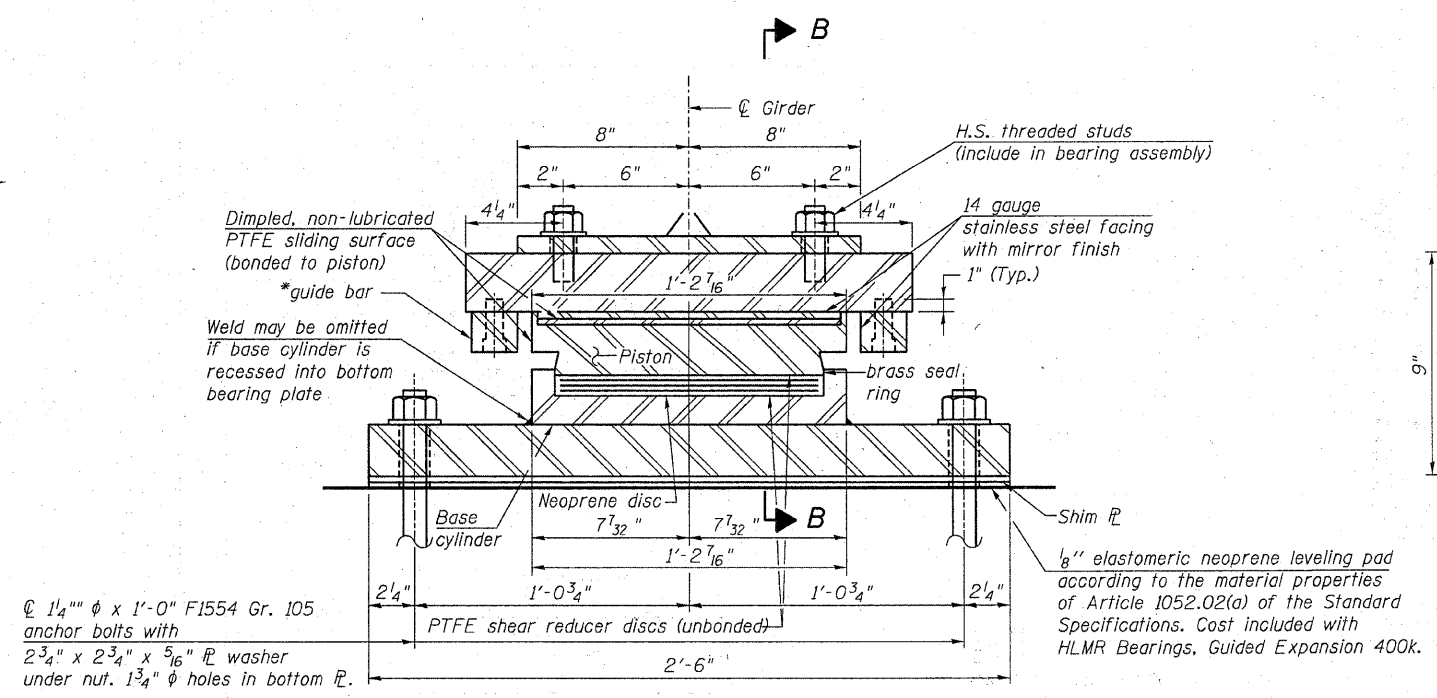
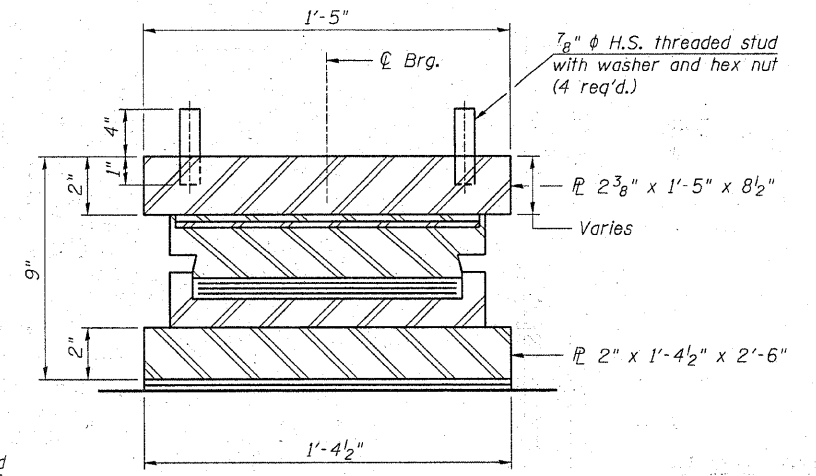


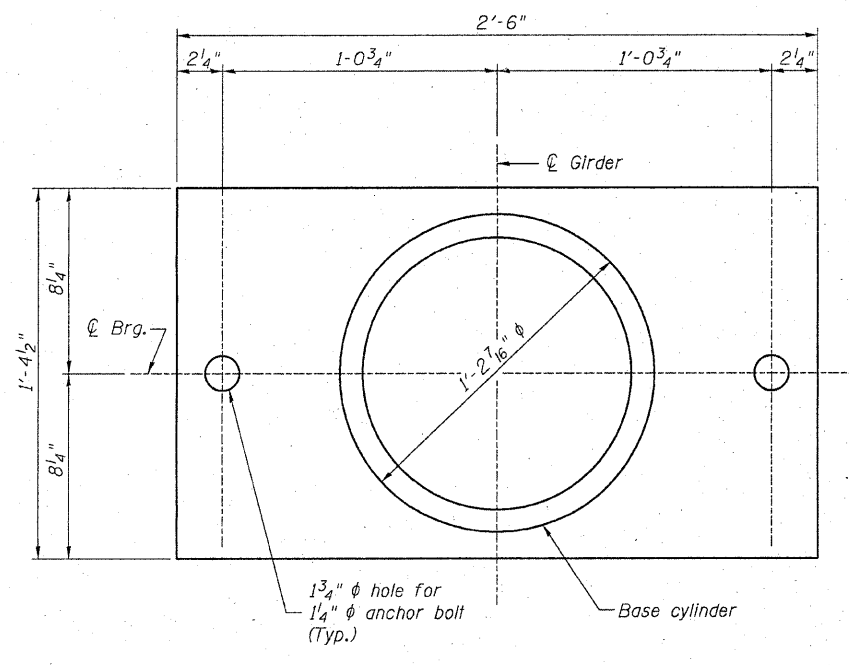
ELEVATION AT PIER 2



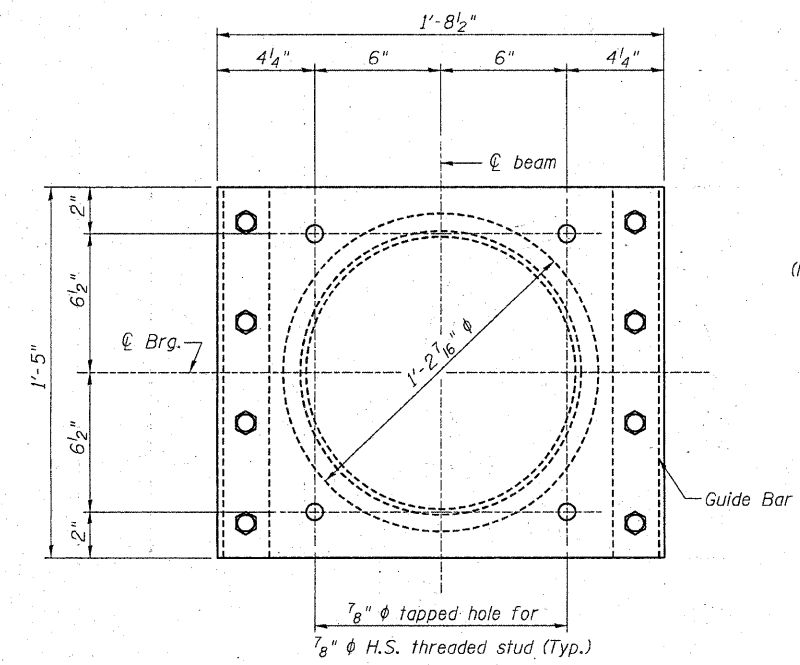
SECTION A-A



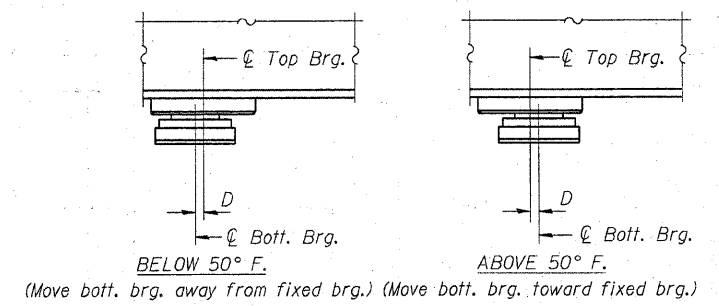
SECTION B-B
(Guide Bar omitted for clarity)



BOTTOM BEARING PLATE AND BASE CYLINDER PLAN



TOP BEARING PLATE AND PISTON PLAN



SETTING ANCHOR BOLTS AT EXP. BRG.
D = 1/8" per each 100' of expansion for every 15° temp. change from the normal temp. of 50° F.

* As alternates to the bolted connection shown, the guide bars may be connected to the top bearing plate by groove welds or the guide bars and top bearing plate may be fabricated as a single piece.

Bearing Data	
Vertical Design Load	400 K
Total Required Movement	1/8"
Service Design Rotation	0.014 rad.

BILL OF MATERIAL		
Item	Unit	Total
HLMR Bearings, Guided Expansion 400k	Each	7
Anchor Bolts, 1/4"	Each	14

NOTES

The plates of the Bearing Assembly shall be AASHTO M270, Grade 50. The Bearing Assembly shall be capable of transmitting 20% of the vertical design load as a horizontal force in the direction normal to the guide bars. Shim plate(s) shall be the full dimension of the bottom bearing plate. Cost of shims is included with HLMR Bearings, Guided Expansion 400k.

**BEARING DETAILS
STRUCTURE NUMBER 101-3100**

PROFESSIONAL DESIGN FIRM LICENSE #184-001084

© Copyright Hanson Professional Services Inc. 2010

HANSON
Hanson Professional Services Inc.

JOB NO. 03R1807
DATE 11/08/10

SHEET NO. 24
47 SHEETS

F.A.U. RTE. 5103	SECTION 03-00337-00-BR	COUNTY Winnebago	TOTAL SHEETS 66	SHEET NO. 39
CONTRACT NO. 85523				
ILLINOIS FED. AID PROJECT				

LAYOUT 10/27/10
 DRAWN 10/27/10
 REVIEWED 10/27/10
 10/27/10
 10/27/10
 10/27/10
 10/27/10