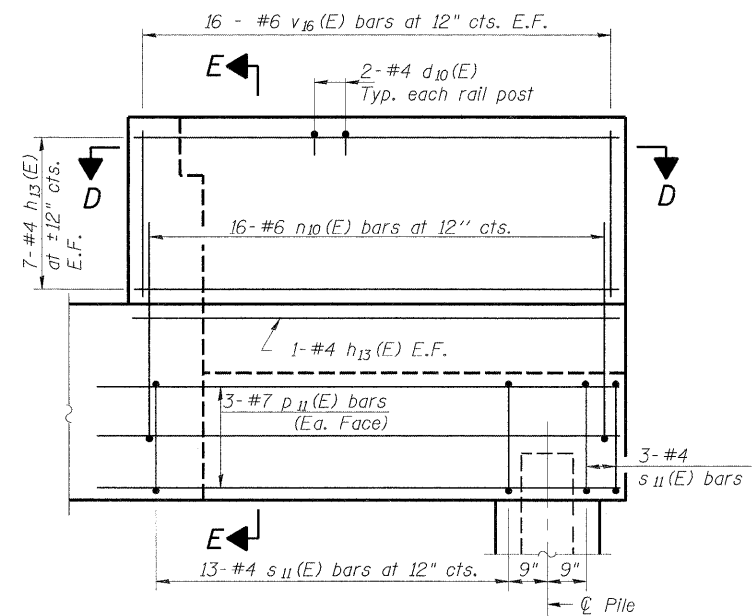
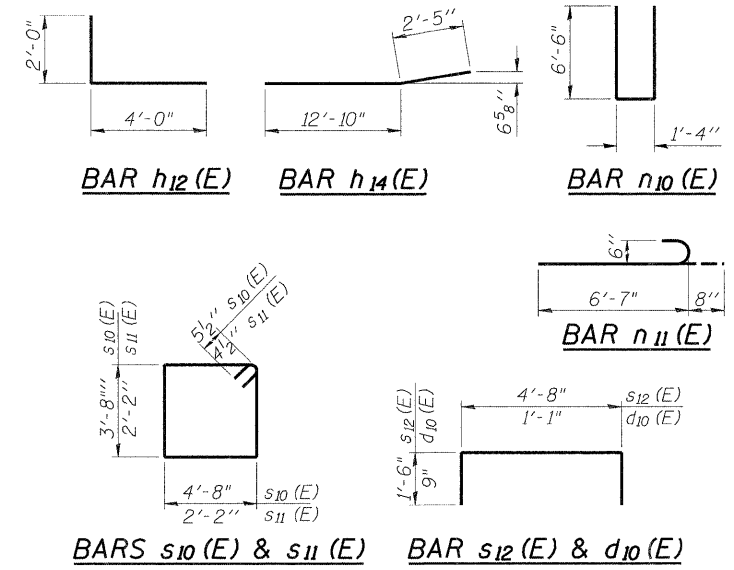


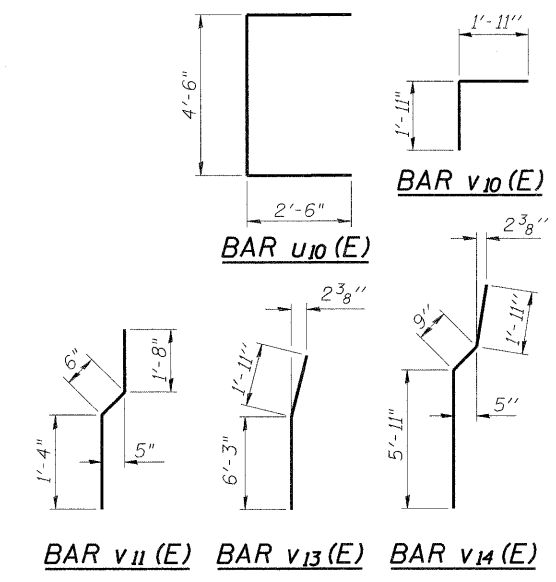
**SOUTH WING WALL ELEVATION**  
Showing Dimensions



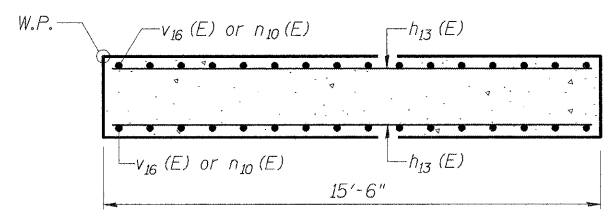
**SOUTH WING WALL ELEVATION**  
Showing Reinforcement



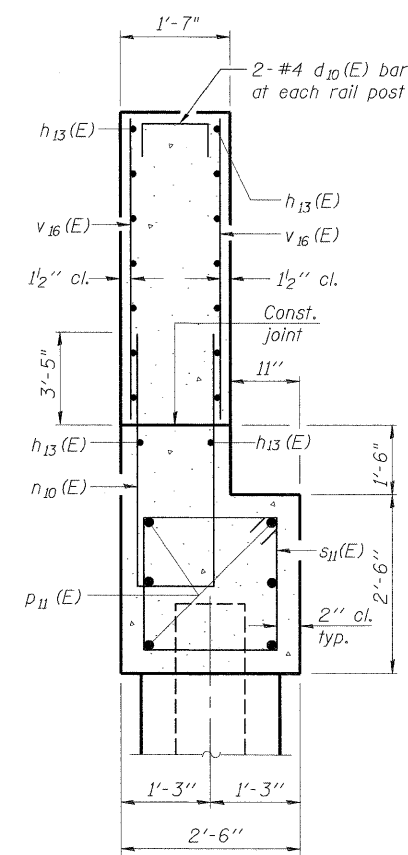
**BAR h12(E) BAR h14(E) BAR n10(E)**  
**BAR n11(E)**  
**BARS s10(E) & s11(E) BAR s12(E) & d10(E)**



**BAR v10(E) BAR u10(E)**  
**BAR v11(E) BAR v13(E) BAR v14(E)**



**SECTION B-B**



**SECTION E-E**

**EAST ABUTMENT**  
**BILL OF MATERIAL**

Bar	No.	Size	Length	Shape
d10 (E)	6	#4	2'-7"	U
h10 (E)	10	#5	40'-3"	U
h11 (E)	5	#6	40'-3"	U
h12 (E)	24	#5	6'-0"	L
h13 (E)	29	#4	15'-3"	U
h14 (E)	9	#4	15'-3"	U
n10 (E)	29	#6	14'-4"	U
n11 (E)	6	#6	7'-3"	U
p10 (E)	10	#7	43'-5"	U
p11 (E)	12	#7	16'-0"	U
p12 (E)	4	#5	12'-4"	U
s10 (E)	44	#5	17'-7"	L
s11 (E)	32	#4	9'-5"	L
s12 (E)	13	#5	7'-8"	L
u10 (E)	8	#6	9'-6"	U
v10 (E)	41	#5	3'-10"	U
v11 (E)	41	#4	3'-6"	U
v12 (E)	16	#6	8'-3"	U
v13 (E)	3	#6	8'-2"	U
v14 (E)	13	#6	8'-7"	U
v15 (E)	82	#5	7'-2"	U
v16 (E)	32	#6	5'-5"	U
Structure Excavation		Cu. Yd.	165	
Concrete Structures		Cu. Yd.	66.2	
Reinforcement Bars, Epoxy Coated		Pound	6050	
Furnishing - Piles, HP14x73		Foot	660	
Driving Piles		Foot	660	
Test Pile, HP 14x73		Each	1	
Concrete Encasement		Cu. Yd.	7.1	
Concrete Sealer		Sq. Ft.	507	
Pile Shoes		Each	12	

For details of Bar Splicers, see sheet 33 of 47.  
For details of piles and Concrete Encasement, see sheet 34 of 47.

Notes:  
Hatched area to be poured after superstructure false work has been removed. Quantity of concrete included with Concrete Superstructure.  
Space reinforcement in cap to miss anchor bolts.  
Pour steps monolithically with cap.  
Quantity of concrete in end post included with Concrete Superstructure on sheet 11 of 47.

**EAST ABUTMENT**  
**STRUCTURE NUMBER 101-3100**

PROFESSIONAL DESIGN FIRM LICENSE #184-001084

	© Copyright Hanson Professional Services Inc. 2010 JOB NO. 03R1807 DATE 10/26/10	SHEET NO. 27 47 SHEETS	F.A.U. RTE. 5103 SECTION 03-00337-00-BR COUNTY Winnebago ILLINOIS FED. AID PROJECT	TOTAL SHEETS 66 SHEET NO. 42 CONTRACT NO. 85523
--	--	---------------------------	---	---

10/26/2010 LKR/SKM 08/23/10  
 DRAWN MOM 10/25/10  
 REVIEWED LKR/SKM 10/26/10