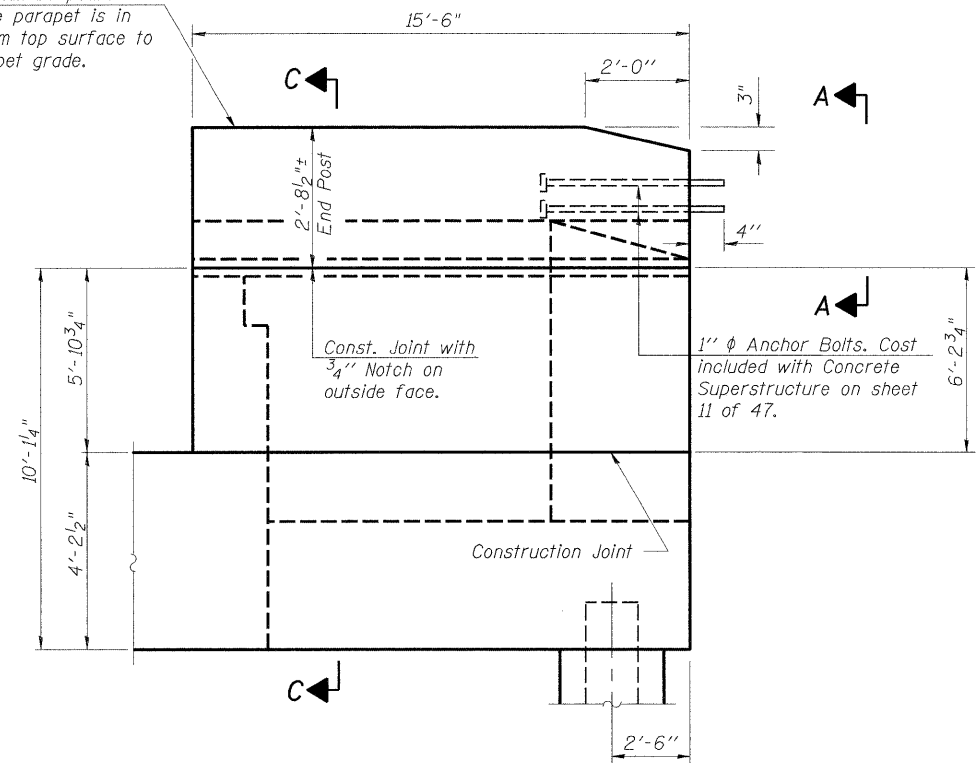
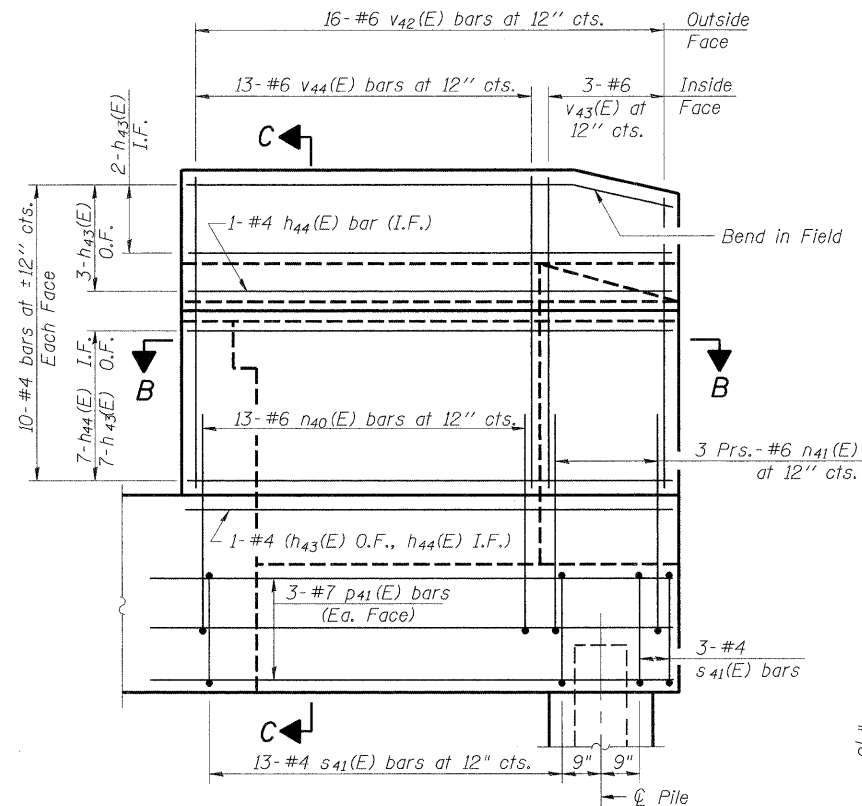


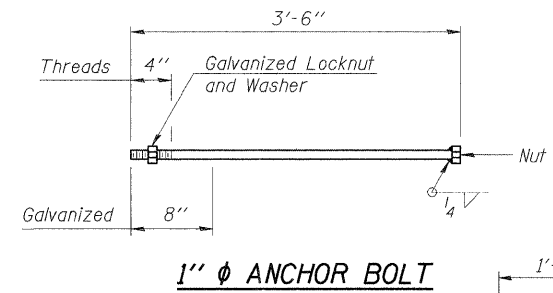
End Post shall be poured after bridge parapet is in place. Form top surface to match parapet grade.



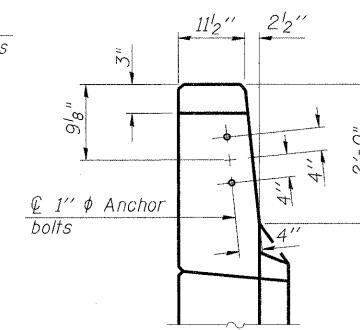
NORTH WING WALL ELEVATION
Showing Dimensions



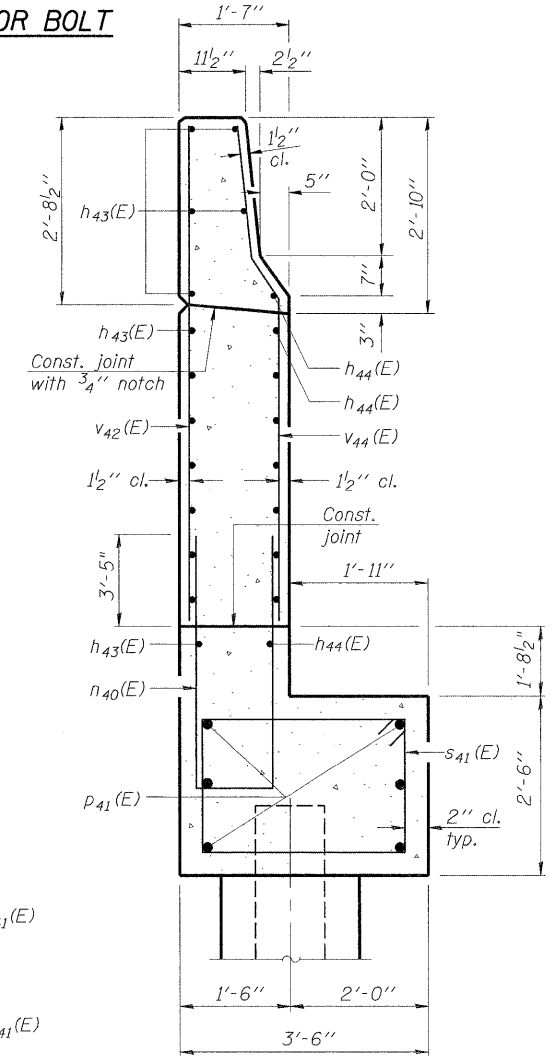
NORTH WING WALL ELEVATION
Showing Reinforcement



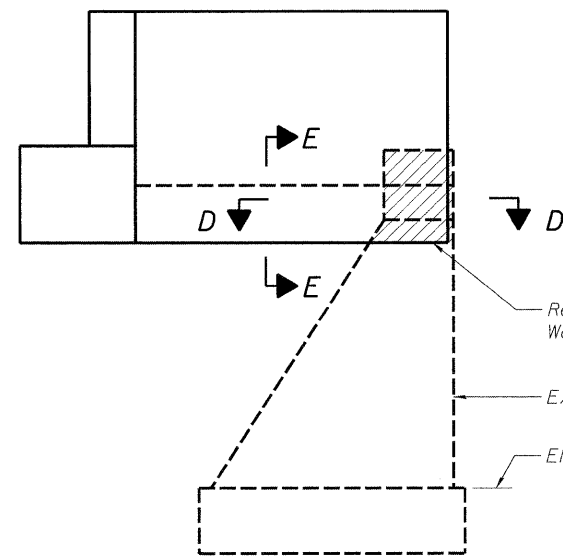
1" φ ANCHOR BOLT



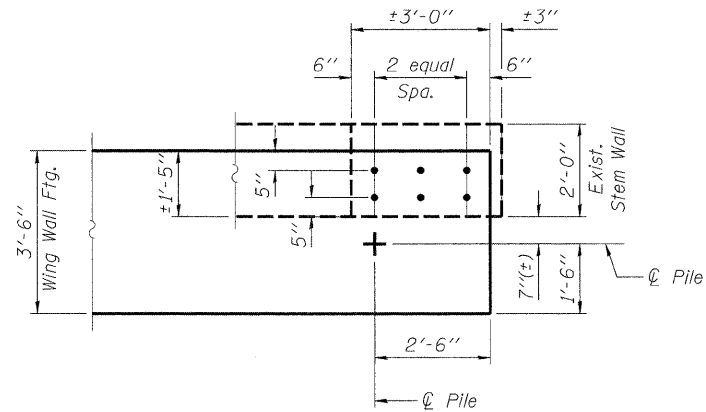
VIEW A-A



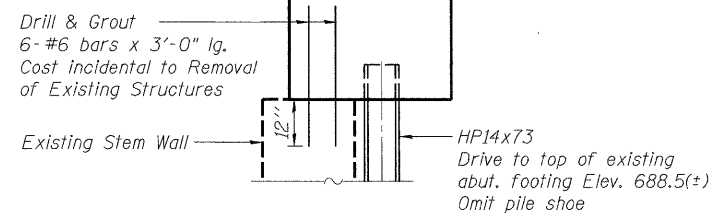
SECTION C-C



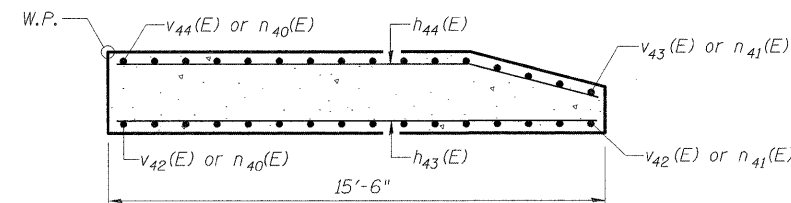
ELEVATION - NW WING WALL



VIEW D-D



VIEW E-E



SECTION B-B

Notes:
Quantity of concrete in end post included with Concrete Superstructure on sheet 11 of 47.
For Concrete Encasement details, see sheet 34 of 47.

**WEST ABUTMENT
STRUCTURE NUMBER 101-3100**

PROFESSIONAL DESIGN FIRM LICENSE #184-001084		SHEET NO. 29		F.A.U. RTE. 5103	SECTION 03-00337-00-BR	COUNTY Winnebago	TOTAL SHEETS 66	SHEET NO. 44
© Copyright Hanson Professional Services Inc. 2010		JOB NO. 03R1807	47 SHEETS	CONTRACT NO. 85523		ILLINOIS FED. AID PROJECT		
Hanson Professional Services Inc.		DATE 10/26/10						

10/26/2010 LKR/SJM 08/23/10
 DRAWN MCM 10/25/10
 REVIEWED LKR/SJM 10/26/10