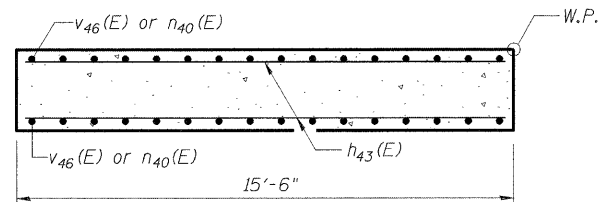
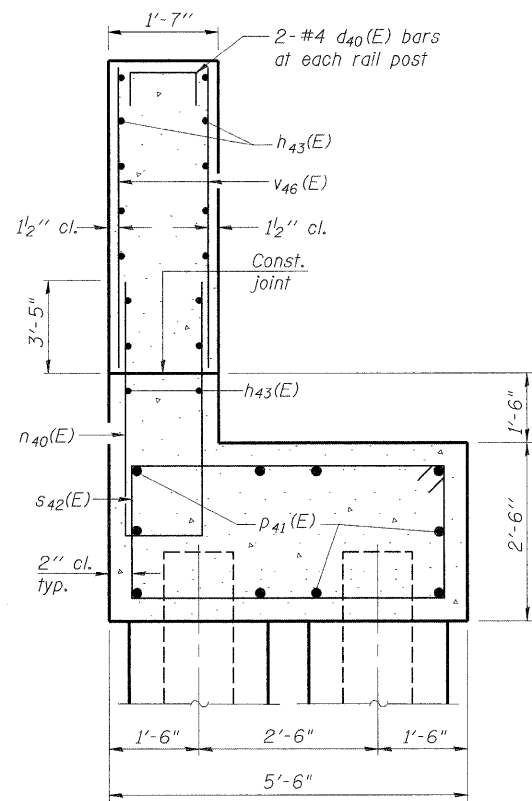


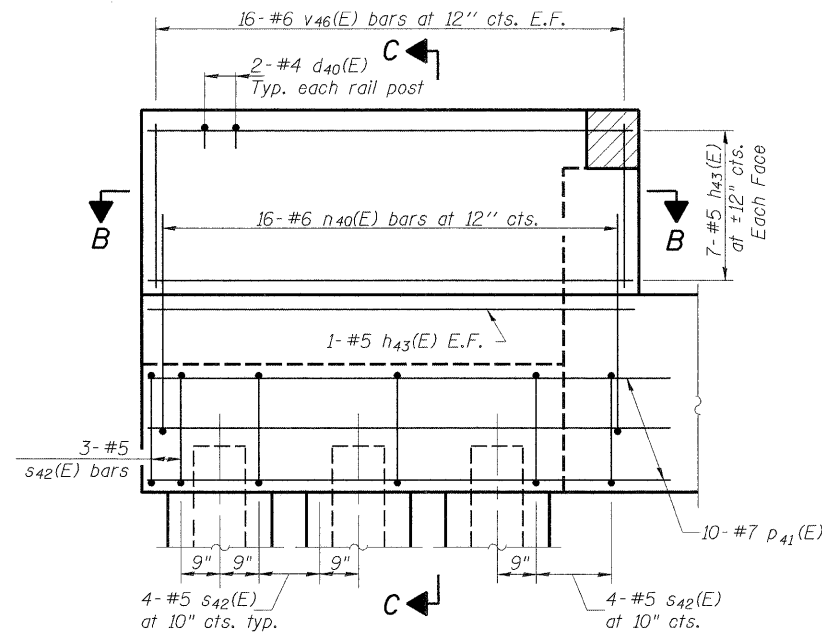
**SOUTH WING WALL ELEVATION**  
Showing Dimensions



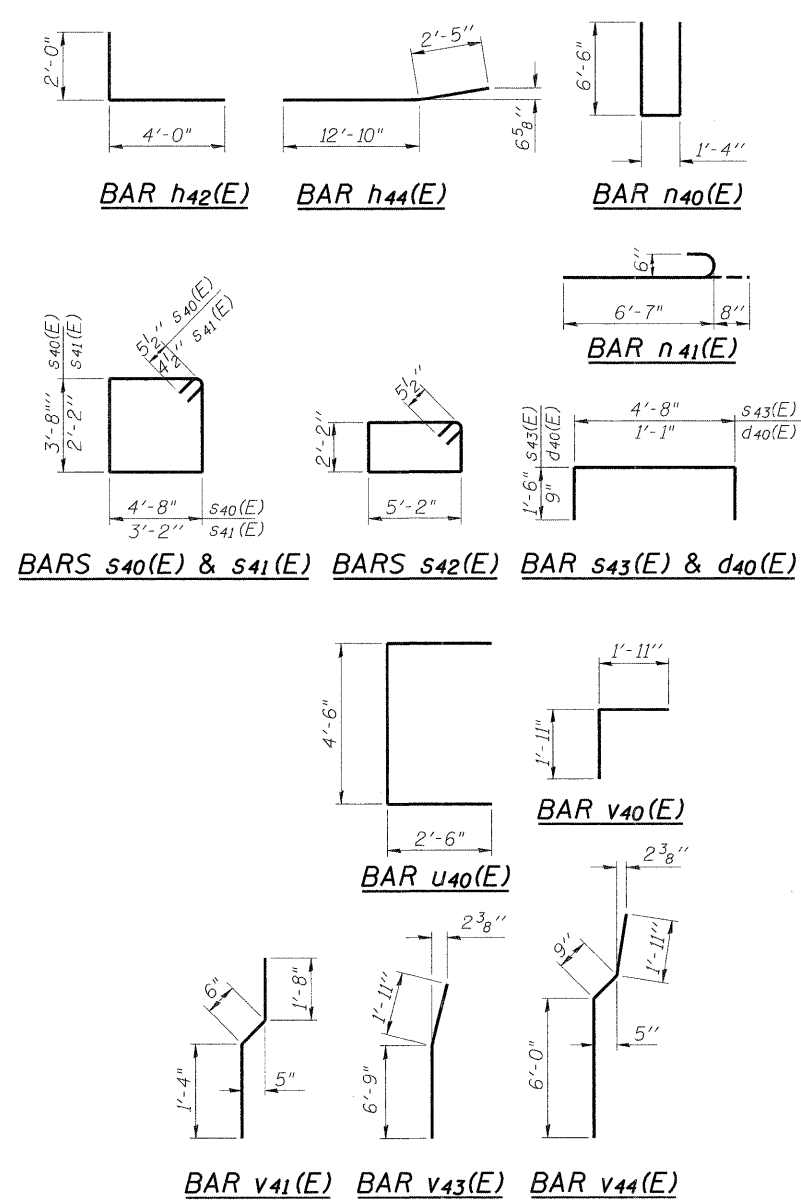
**SECTION B-B**



**SECTION C-C**



**SOUTH WING WALL ELEVATION**  
Showing Reinforcement



**WEST ABUTMENT**  
**BILL OF MATERIAL**

Bar	No.	Size	Length	Shape
d40(E)	6	#4	2'-7"	[Symbol]
h40(E)	10	#5	40'-3"	[Symbol]
h41(E)	5	#6	41'-10"	[Symbol]
h42(E)	24	#5	6'-0"	[Symbol]
h43(E)	29	#4	15'-3"	[Symbol]
h44(E)	9	#4	15'-3"	[Symbol]
n40(E)	29	#6	14'-4"	[Symbol]
n41(E)	6	#6	7'-3"	[Symbol]
p40(E)	10	#7	43'-5"	[Symbol]
p41(E)	16	#7	16'-0"	[Symbol]
p42(E)	4	#5	12'-4"	[Symbol]
s40(E)	44	#5	17'-7"	[Symbol]
s41(E)	16	#4	11'-5"	[Symbol]
s42(E)	15	#5	15'-7"	[Symbol]
s43(E)	13	#5	7'-8"	[Symbol]
u40(E)	8	#6	9'-6"	[Symbol]
v40(E)	41	#5	3'-10"	[Symbol]
v41(E)	41	#4	3'-6"	[Symbol]
v42(E)	16	#6	8'-5"	[Symbol]
v43(E)	3	#6	8'-8"	[Symbol]
v44(E)	13	#6	8'-8"	[Symbol]
v45(E)	82	#5	7'-2"	[Symbol]
v46(E)	32	#6	5'-9"	[Symbol]
Structure Excavation		Cu. Yd.	165	
Concrete Structures		Cu. Yd.	72.0	
Reinforcement Bars, Epoxy Coated		Pound	6370	
Furnishing - Piles, HP14x73		Foot	196	
Driving Piles		Foot	196	
Test Pile, HP 14x73		Each	1	
Concrete Encasement		Cu. Yd.	8.2	
Concrete Sealer		Sq. Ft.	510	
Pile Shoes		Each	13*	

For details of Bar Splicers, see sheet 33 of 47.  
For details of piles and Concrete Encasement, see sheet 34 of 47.  
\* Omit pile shoe on N.W. Wingwall pile.

Notes:  
Quantity of concrete in end post included with Concrete Superstructure on sheet 11 of 47.

**WEST ABUTMENT**  
**STRUCTURE NUMBER 101-3100**

PROFESSIONAL DESIGN FIRM LICENSE #184-001084

<p>Hanson Professional Services Inc.</p>	© Copyright Hanson Professional Services Inc. 2010 JOB NO. 03R1807 DATE 10/26/10	SHEET NO. 30 47 SHEETS	F.A.U. RTE. 5103	SECTION 03-00337-00-BR	COUNTY Winnebago	TOTAL SHEETS 66	SHEET NO. 45
	CONTRACT NO. 85523			ILLINOIS FED. AID PROJECT			

LAYOUT: LKR/SMK 06/23/10  
 DRAWN: MCM 10/25/10  
 REVIEWED: LKR/SMK 10/26/10  
 10/26/2010  
 I:\03\101010\101010\Struct\Sheet 5 030 W. Abut-S2.dgn