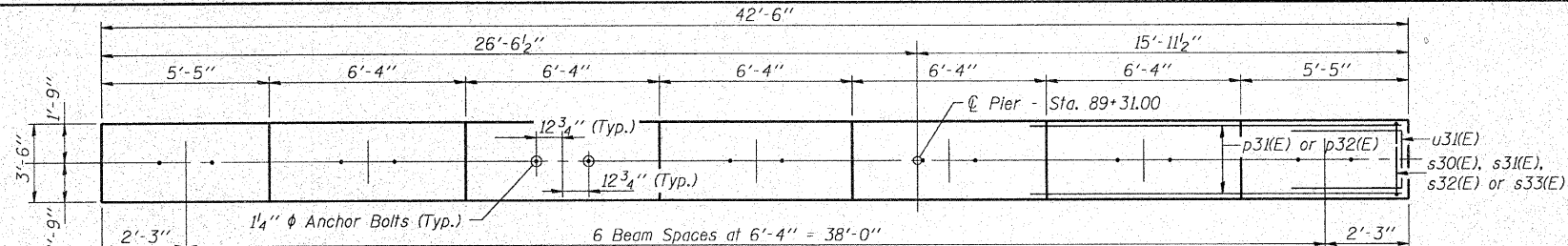


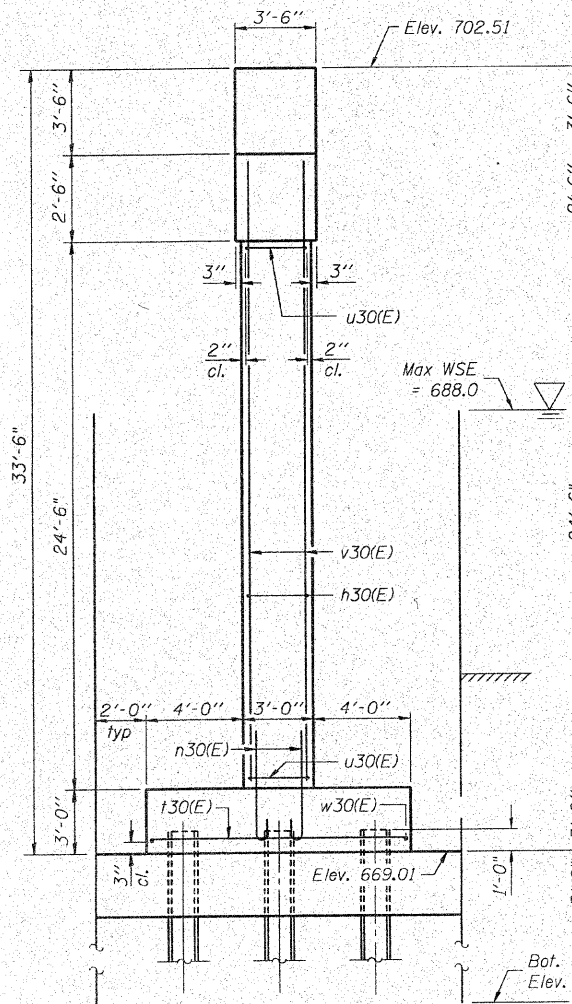
Notes:
 Space reinforcement in cap to miss anchor bolts.
 Pour steps monolithically with cap.
 For details of piles, see sheet 34 of 47.

PILE DATA

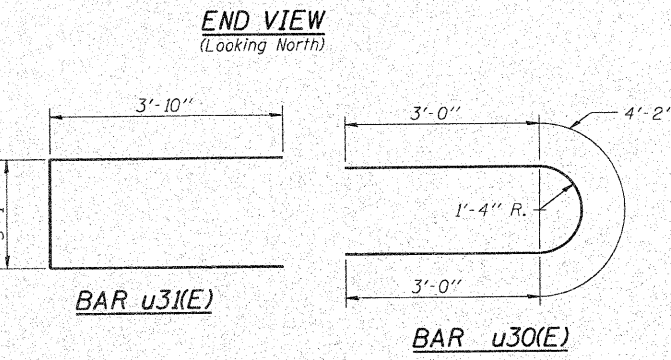
Type: HP14x73
 Nominal Required Bearing: 578K
 Allowable Resistance Available: 193K
 Est. Length: 20'
 No. Production Piles: 20
 No. Test Piles: 1



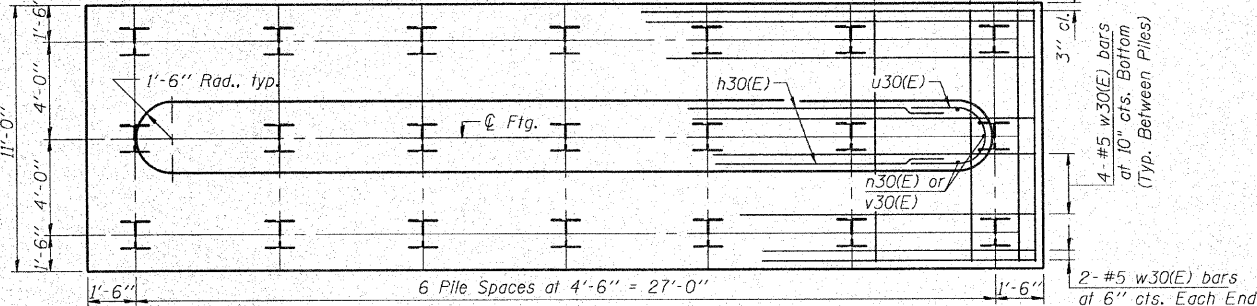
TOP PLAN



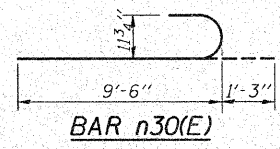
ELEVATION
(Looking West)



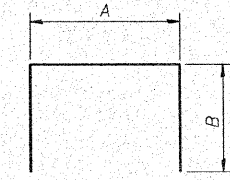
END VIEW
(Looking North)



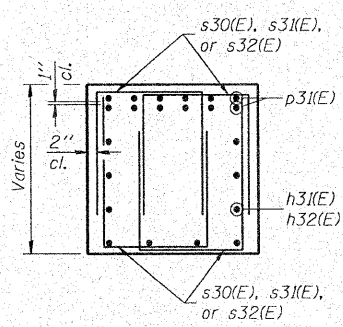
FOOTING PLAN



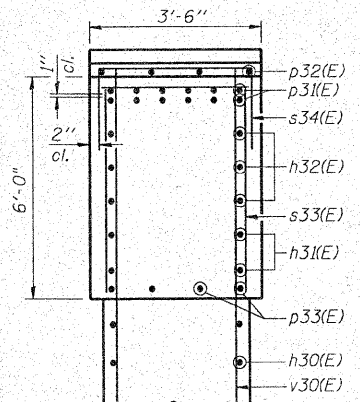
BAR n30(E)



BARS



SECTION A-A



SECTION B-B

PIER BILL OF MATERIAL

Bar	No.	Size	Length	Shape
h30(E)	50	#5	24'-6"	—
h31(E)	4	#6	38'-6"	—
h32(E)	6	#6	42'-2"	—
n30(E)	108	#9	10'-9"	U
p30(E)	8	#6	10'-10"	—
p31(E)	12	#9	42'-2"	—
p32(E)	4	#5	12'-4"	—
p33(E)	4	#6	28'-0"	—
s30(E)	24	#5	8'-4"	□
s31(E)	32	#5	9'-4"	□
s32(E)	48	#5	10'-4"	□
s33(E)	26	#5	13'-2"	□
s34(E)	13	#4	6'-2"	□
t30(E)	46	#9	10'-6"	—
u30(E)	50	#5	10'-2"	U
u31(E)	8	#6	10'-9"	U
v30(E)	108	#9	28'-6"	—
w30(E)	12	#5	29'-6"	—
Cofferdam Excavation		Cu. Yd.	217.2	
Cofferdam Location 2		Each	1	
Concrete Structures		Cu. Yd.	143.4	
Reinforcement Bars, Epoxy Coated		Pound	22,490	
Furnishing - Piles, HP14x73		Foot	400	
Driving Piles		Foot	400	
Test Pile, HP14x73		Each	1	
Seal Coat Concrete		Cu. Yd.	94.4	
Pile Shoes		Each	20	

A & B DIMENSIONS

Bar	A	B
s30(E)	2'-0"	3'-2"
s31(E)	2'-0"	3'-8"
s32(E)	2'-0"	4'-2"
s33(E)	3'-2"	5'-0"
s34(E)	3'-2"	1'-6"

PIER #2 - WEST
STRUCTURE NUMBER 101-3100

PROFESSIONAL DESIGN FIRM LICENSE #184-001084

© Copyright Hanson Professional Services Inc. 2010

HANSON
Hanson Professional Services Inc.

DATE: 11/08/10

SHEET NO. 32

47 SHEETS

F.A.U. RTE. 5103	SECTION 03-00337-00-BR	COUNTY Winnebago	TOTAL SHEETS 66	SHEET NO. 47
CONTRACT NO. 85523				
ILLINOIS FED. AID PROJECT				