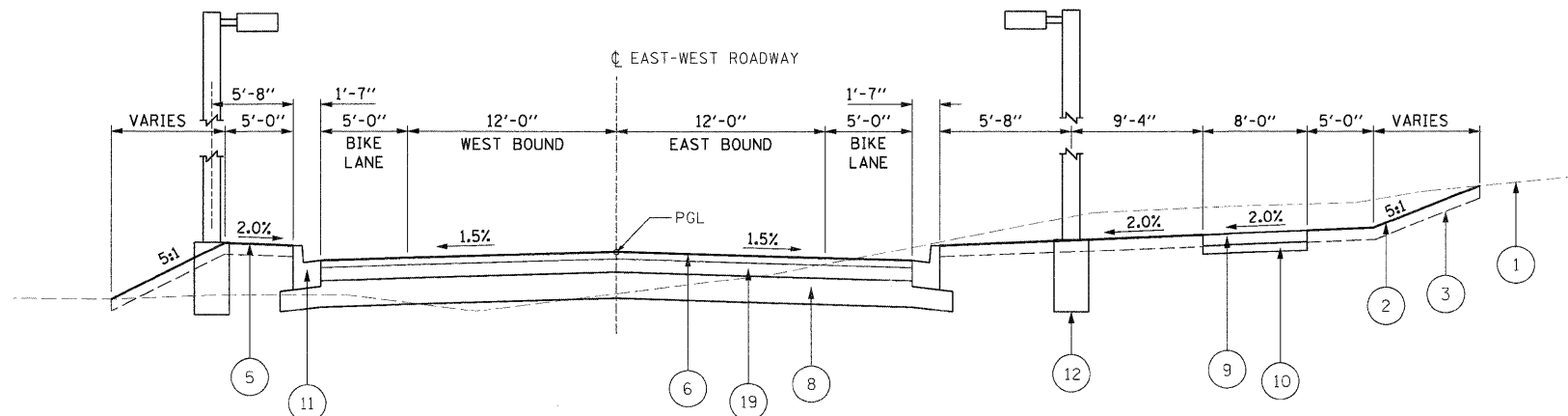
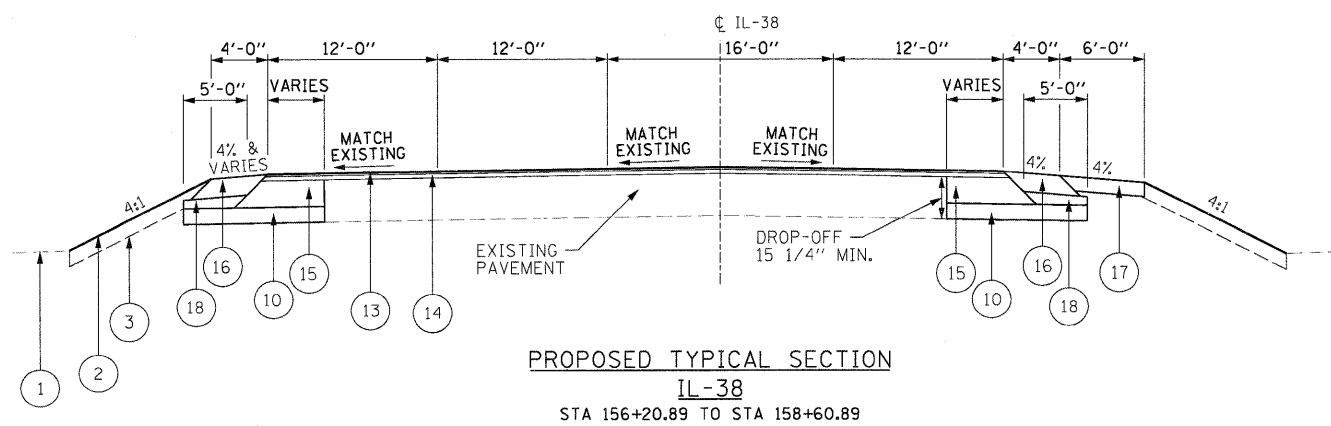


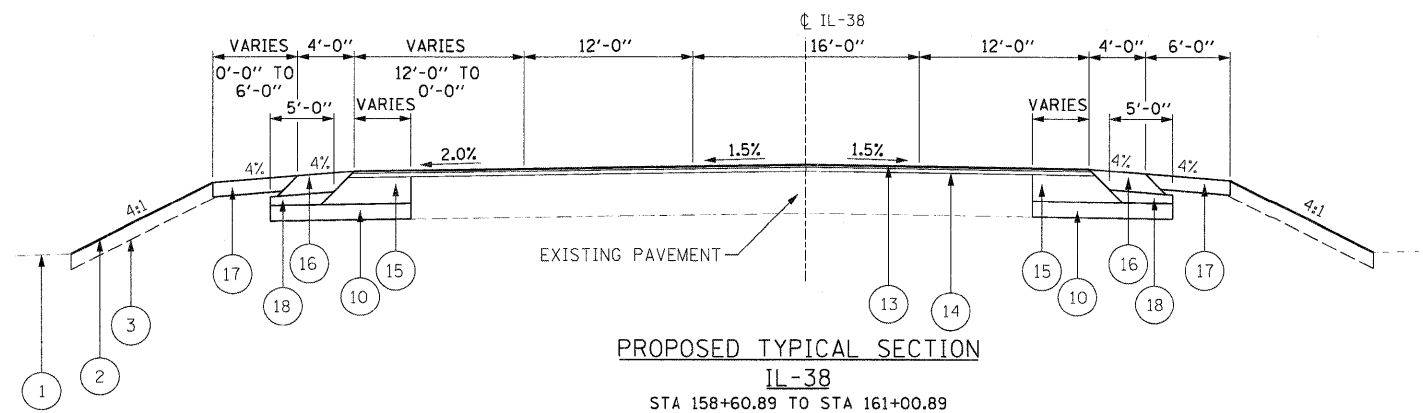
PROPOSED TYPICAL SECTION
EAST-WEST ROADWAY
STA 201+92.34 TO STA 212+27.49



PROPOSED TYPICAL SECTION
EAST-WEST ROADWAY
STA 217+24.83 TO STA 226+53.58



PROPOSED TYPICAL SECTION
IL-38
STA 156+20.89 TO STA 158+60.89



PROPOSED TYPICAL SECTION
IL-38
STA 158+60.89 TO STA 161+00.89

LAYOUT MWH 08/31/10 Husa/CCH
DRAWN MWH 11/04/10 /05/2010
REVIEWED CPA 11/04/10 /05/2010
C:\06\003\06010525\ACD\Draw\Sheet\564_TYP.dgn

FILE NAME =	USER NAME = MWH	DESIGNED - DPA	REVISED -
564-TYP.dgn		DRAWN - MWH	REVISED -
		CHECKED - DPA	REVISED -
		DATE - 11/04/10	REVISED -

STATE OF ILLINOIS
DEPARTMENT OF TRANSPORTATION

NORTHERN ILLINOIS UNIVERSITY
FAR WEST CAMPUS EXPANSION
TYPICAL SECTIONS

SCALE: NTS SHEET NO. OF SHEETS STA. TO STA.

F.A.P. RTE. 567	SECTION 06-00002-00-PV	COUNTY DEKALB	TOTAL SHEETS 148	SHEET NO. 14
FED. ROAD DIST. NO. ILLINOIS FED. AID PROJECT		CONTRACT NO. 87476		