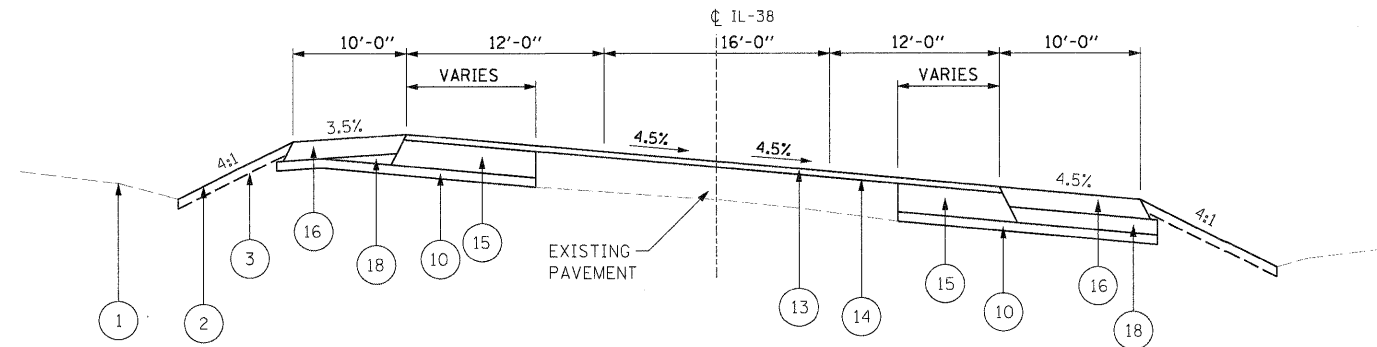
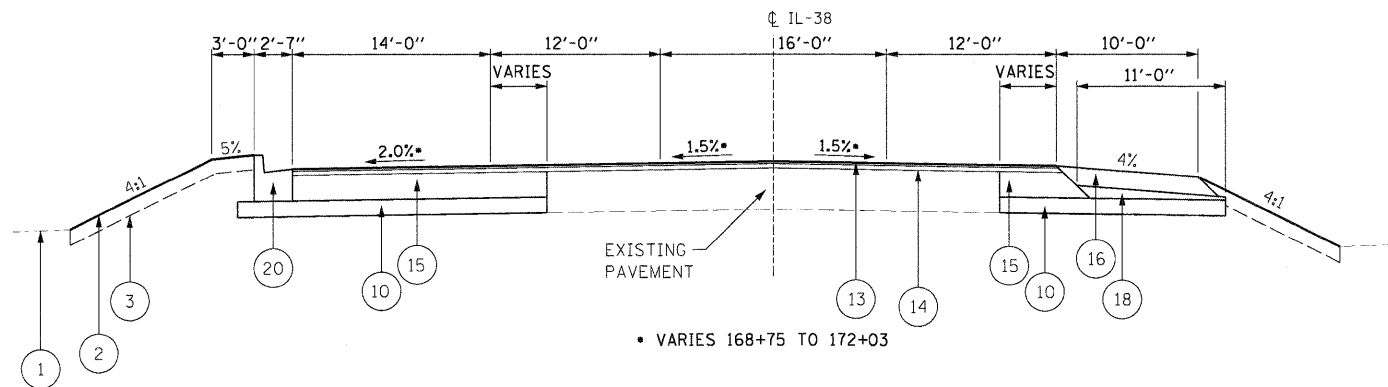


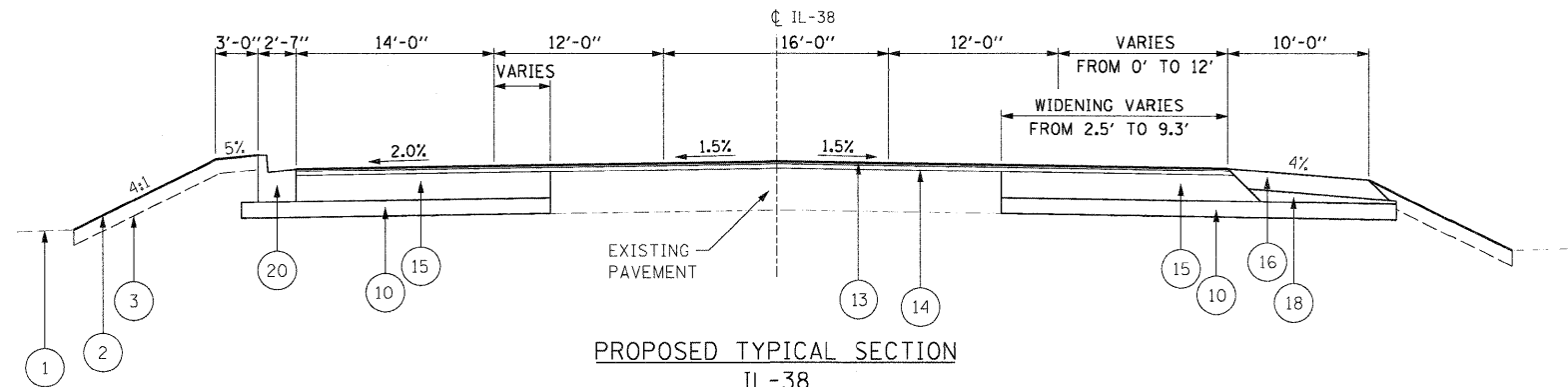
PROPOSED TYPICAL SECTION
IL-38
STA 161+00.89 TO STA 166+44



PROPOSED TYPICAL SECTION
IL-38
STA 166+44 TO STA 168+75



PROPOSED TYPICAL SECTION
IL-38
STA 168+75 TO STA 172+03



PROPOSED TYPICAL SECTION
IL-38
STA 174+44 TO STA 180+68.79

DATE: 08/31/10
DRAWN: MWH
CHECKED: DPA
REVIEWED: DPA
PLOT DATE: 11/05/2010

FILE NAME: C:\985_TYP.dgn	USER NAME: MWH	DESIGNED: DPA	REVISIONS:
		DRAWN: MWH	REVISIONS:
		CHECKED: DPA	REVISIONS:
		DATE: 11/04/10	REVISIONS:

STATE OF ILLINOIS
DEPARTMENT OF TRANSPORTATION

NORTHERN ILLINOIS UNIVERSITY
FAR WEST CAMPUS EXPANSION
TYPICAL SECTIONS

SCALE: NTS SHEET NO. OF SHEETS STA. TO STA.

F.A.P. RTE. 567	SECTION 06-00002-00-PV	COUNTY DEKALB	TOTAL SHEETS 148	SHEET NO. 15
FED. ROAD DIST. NO. ILLINOIS FED. AID PROJECT			CONTRACT NO. 87476	