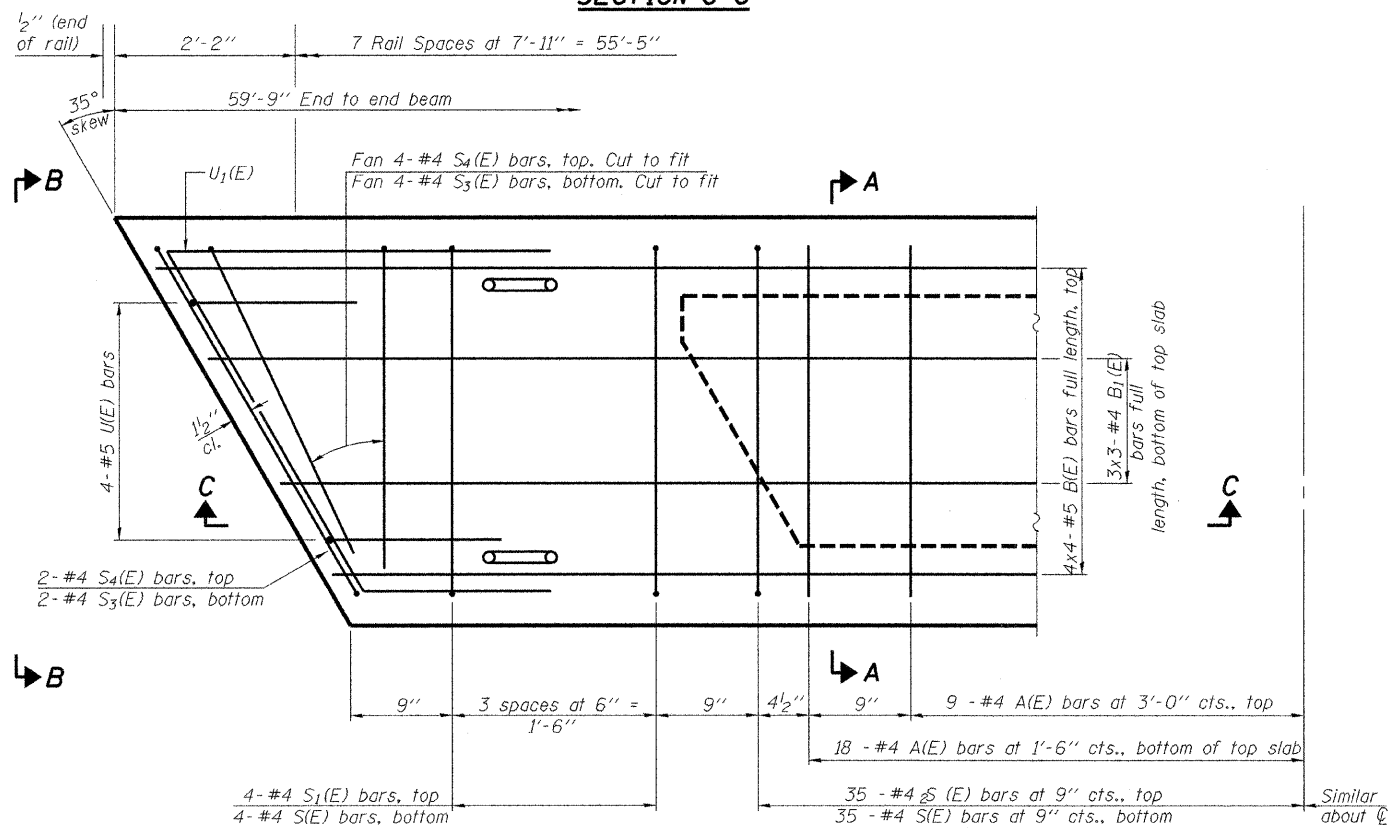
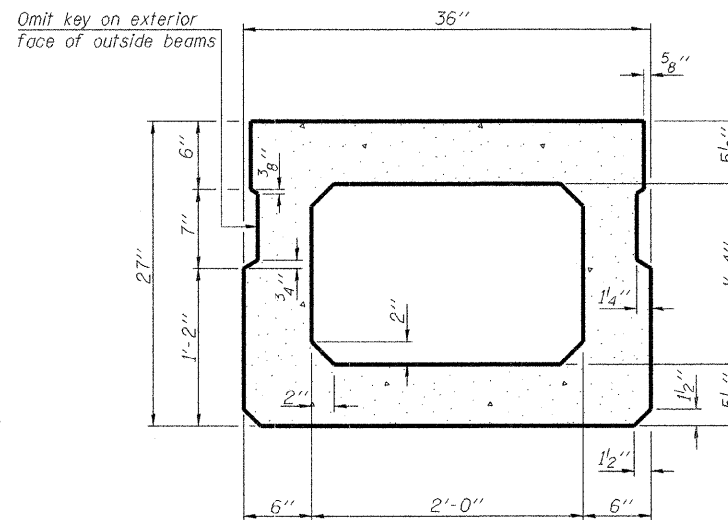


SECTION C-C

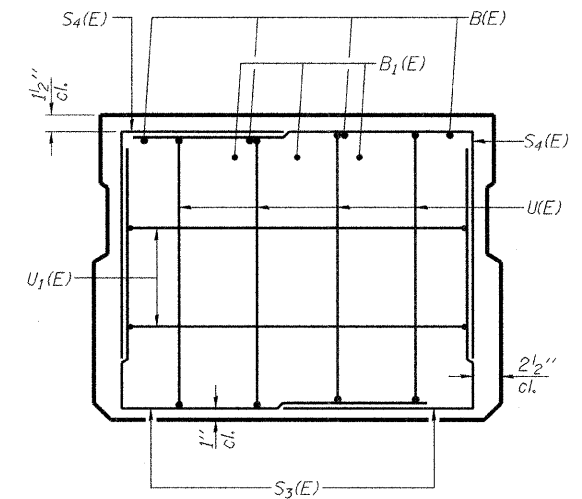


PLAN VIEW

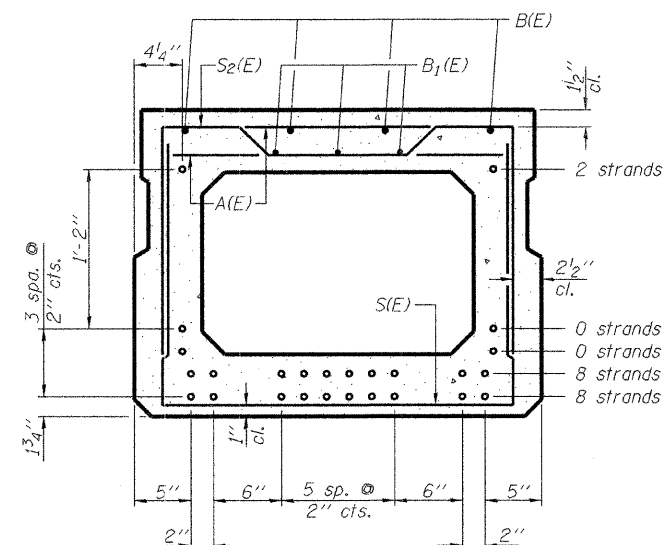
Note: Spacing of S(E) and S₂(E) bars may be adjusted up to 4" in the immediate area of the transverse tie diaphragms to miss the block outs for the transverse ties.



SECTION A-A
(Showing dimensions)



VIEW B-B



SECTION A-A

(Showing reinforcement and permissible strand locations)
Note: Place the number of strands specified in each row symmetrically about the centerline of beam in the permissible strand locations shown.

BAR LIST
ONE BEAM ONLY
(For information only)

Bar	No.	Size	Length	Shape
A(E)	53	#4	2'-7"	—
B(E)	16	#5	16'-9"	—
B ₁ (E)	9	#4	21'-6"	—
S(E)	78	#4	6'-5"	U
S ₁ (E)	8	#4	5'-11"	U
S ₂ (E)	70	#4	6'-2"	U
S ₃ (E)	12	#4	4'-3"	J
S ₄ (E)	12	#4	4'-0"	J
U(E)	8	#5	4'-6"	C
U ₁ (E)	4	#4	7'-8"	C

Note: See sheet 3 of 8 for additional details and Bill of Material.

MINIMUM BAR LAP

#4 bar = 2'-0"
#5 bar = 2'-6"

27" X 36" PPC DECK BEAM

SUPERSTRUCTURE
STRUCTURE NO. 092-3518

DATE: 09-20-2010 DRAWN BY: JEH CHECKED BY: DF



PD-2736-R

11-1-09

SHEET NO. 2 OF 8 SHEETS	T.R.	SECTION	COUNTY	TOTAL SHEETS	SHEET NO.
	160	09-09123-00-BR	VERMILION	19	8
	CONTRACT NO. 91437				
FED. ROAD DIST. NO. ILLINOIS FED. AID PROJECT					

PRINTED DATE: 10/12/2010 FILE NAME: \\FS-PROD\Drawings\Shelva\08_TR_168_Super.dgn