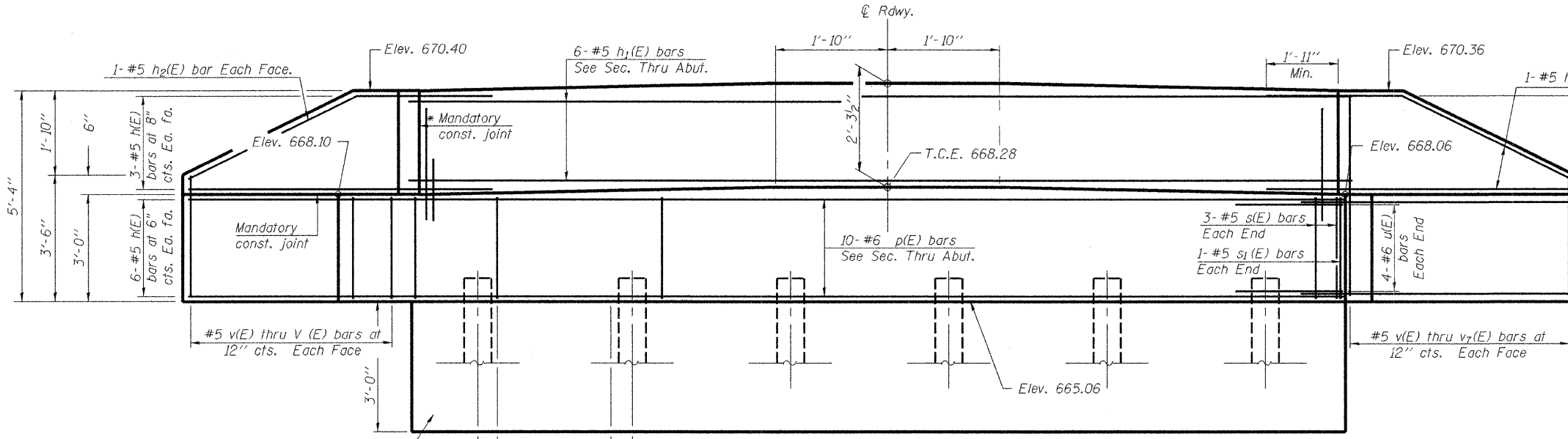
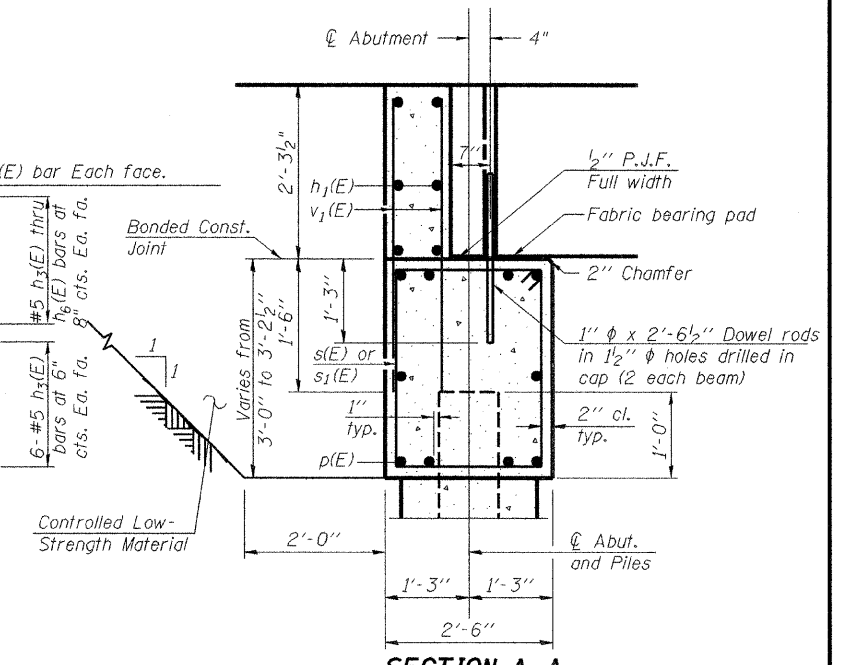


* Cast top of wingwall flush with exterior beam face after beams have been erected.



ELEVATION
Looking North

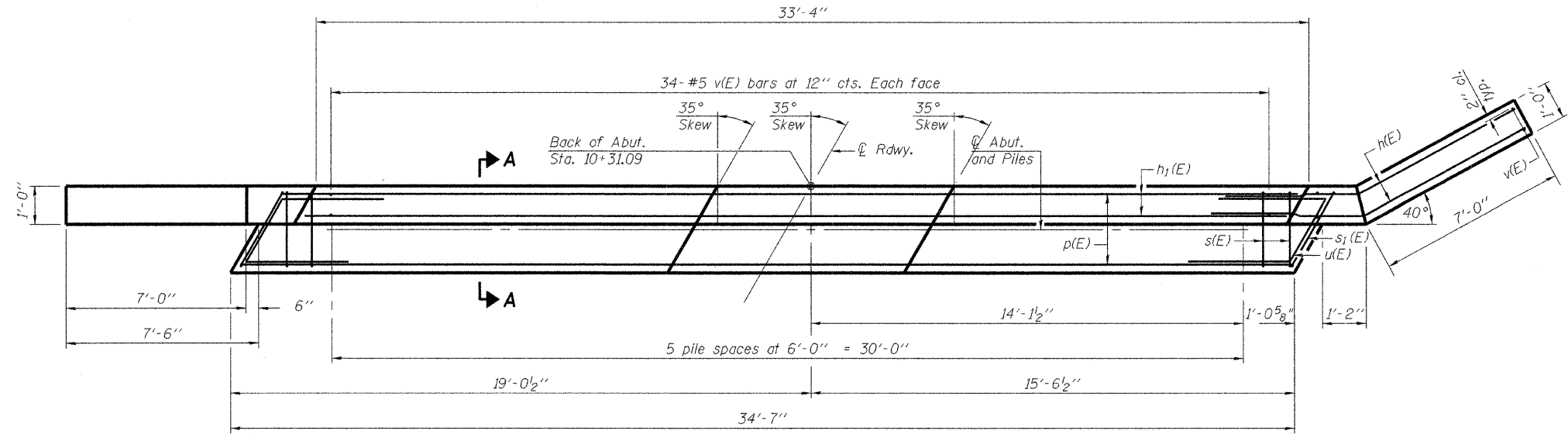


SECTION A-A
(Dimensions are at Rt. L's)

10" thick Concrete Cut-off wall. Full length of abutment centered on pile cap.
11" typ. 6-#5 s(E) bars at 10" cts., typ. 11" typ.

BILL OF MATERIAL

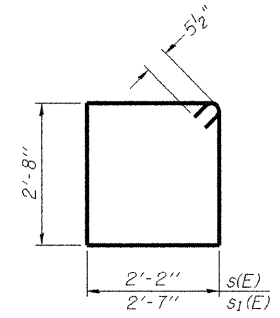
Bar	No.	Size	Length	Shape
h(E)	18	#5	10'-4"	—
h1(E)	6	#5	34'-3"	—
h3(E)	14	#5	10'-4"	—
h4(E)	2	#5	9'-3"	—
h5(E)	2	#5	6'-8"	—
h6(E)	2	#5	3'-6"	—
h7(E)	2	#5	7'-0"	—
p(E)	10	#6	34'-3"	—
s(E)	36	#5	10'-7"	—
s1(E)	2	#5	11'-5"	—
u(E)	8	#6	11'-5"	—
v(E)	72	#5	4'-11"	—
v1(E)	4	#5	4'-8"	—
v2(E)	4	#5	4'-5"	—
v3(E)	4	#5	4'-2"	—
v4(E)	4	#5	3'-11"	—
v5(E)	4	#5	3'-8"	—
v6(E)	4	#5	3'-5"	—
v7(E)	4	#5	3'-2"	—
Structure Excavation		Cu. Yd.	57.7	
Concrete Structures		Cu. Yd.	15.5	
Reinforcement Bars, Epoxy Coated		Pound	2180	
Furnishing Steel Piles HP 10x42		Foot	175	
Driving Piles		Foot	175	
Test Pile, Steel HP 10x42		Each	1	
Concrete Cut-Off Wall		Cu. Yd.	3.2	
Controlled Low-Strength Material		Cu. Yd.	32.5	



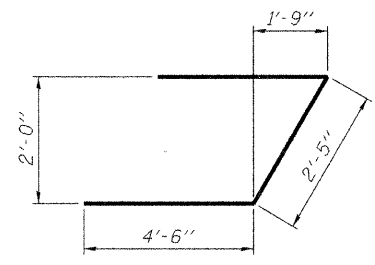
PLAN

PILE DATA

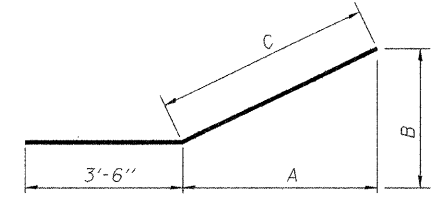
Type: Steel HP 10x42
Nominal Required Bearing: 302K
Factored Resistance Available: 166K
Est. Length: 35'
No. Production Piles: 5
No. Test Piles: 1



BARS s(E) & s1(E)



BAR u(E)



BAR h3(E), h4(E), h5(E)

Bar	A	B	C
h3(E)	5'-3"	4'-5"	6'-10"
h4(E)	4'-5"	3'-8"	5'-9"
h5(E)	2'-5"	2'-0"	3'-2"

Notes:
For details of piles see sheet 7 of 8.
Cast backwall after beams have been erected.

**NORTH ABUTMENT DETAILS
STRUCTURE NO. 092-3518**

DATE: 09-20-2010 DRAWN BY: JEH CHECKED BY: DF

SHEET NO. 6 OF 8 SHEETS	T.R.	SECTION	COUNTY	TOTAL SHEETS	SHEET NO.
	160	09-09123-00-BR	VERMILION	19	12
CONTRACT NO. 91437					
FED. ROAD DIST. NO. _ ILLINOIS FED. AID PROJECT					



PRINTED DATE: 09/10/2010 FILE NAME: \\snp-jg\apps\vermilion\country\09-20-2010\09-09123-00-BR\160-N Abutment.dwg